

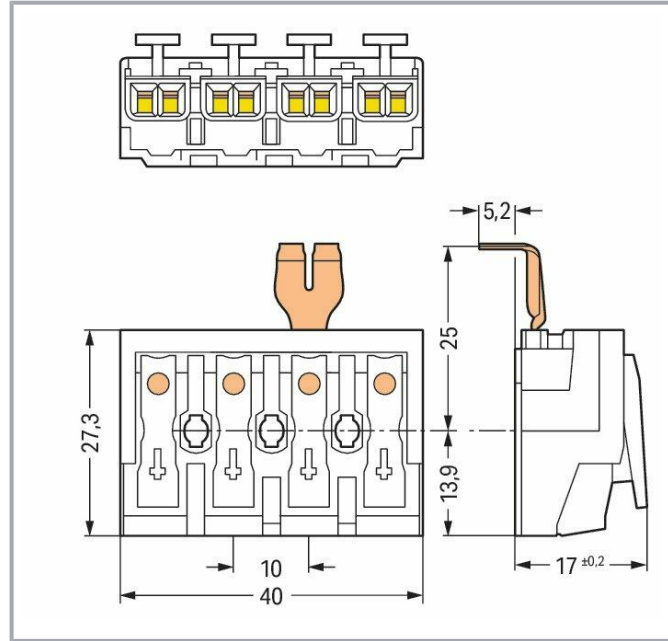
## Data sheet | Item number: 294-4214

Lighting connector; push-button, external; with snap-in ground contact; 4-pole; Lighting side: for solid conductors; Inst. side: for all conductor types; max. 2.5 mm<sup>2</sup>; Surrounding air temperature: max 85°C (T85); 2,50 mm<sup>2</sup>; white

[www.wago.com/294-4214](http://www.wago.com/294-4214)



Color:



### Item description

- External connection of solid, stranded and fine-stranded conductors
- Universal conductor termination (AWG, metric)
- Third contact located at the bottom of internal connection end
- Strain relief plate can be retrofitted

### Data

#### Electrical data

#### Ratings per IEC/EN

Ratings per	IEC/EN 60998-1
Ratings (note)	Connection points

Subject to changes. Please also observe the further product documentation!

WAGO GmbH & Co. KG  
Hansastr. 27  
32423 Minden  
Phone: +49571 887-0 | Fax: +49571 887-169  
Email: [info.de@wago.com](mailto:info.de@wago.com) | Web: [www.wago.com](http://www.wago.com)

Do you have any questions about our products?  
We are always happy to take your call at +49 (571) 887-44222.



Nominal voltage (II/2)	500 V
Rated surge voltage (II/2)	4 kV
Rated current	24 A
Legend (ratings)	(II / 2) $\Delta$ Overvoltage category II / Pollution degree 2

### Ratings per IEC/EN 2

Ratings per 2	IEC/EN 60998-2-2
Ratings (note) 2	Connection points
Rated voltage (II/2) 2	500 V
Rated surge voltage (II/2) 2	4 kV
Rated current 2	24 A

### Connection data

Connection points	20
Total number of potentials	4
Number of connection types	4
PE function	Snap-in PE contact

### Connection 1

Connection type 1	External 1
Connection technology	Push-in CAGE CLAMP <sup>®</sup>
Number of connection points	2
Actuation type	Push-button
Connectable conductor materials	Copper
Solid conductor	0.5 ... 2.5 mm <sup>2</sup> / 18 ... 12 AWG
Solid conductor; push-in termination	0.5 ... 2.5 mm <sup>2</sup> / 18 ... 12 AWG
Stranded conductor	0.5 ... 2.5 mm <sup>2</sup> / 18 ... 14 AWG
Fine-stranded conductor	0.5 ... 2.5 mm <sup>2</sup> / 18 ... 14 AWG
Fine-stranded conductor; with insulated ferrule	0.5 ... 1.5 mm <sup>2</sup> / 18 ... 16 AWG
Fine-stranded conductor; with uninsulated ferrule	0.5 ... 1.5 mm <sup>2</sup> / 18 ... 16 AWG
Fine-stranded conductor; with ferrule; push-in termination	0.5 mm <sup>2</sup> / 18 AWG
Strip length	8 ... 9 mm / 0.31 ... 0.35 inches
Pole number	4
Wiring direction	Side-entry wiring

Subject to changes. Please also observe the further product documentation!



## Connection 2

Connection type 2	Internal 2
Connection technology 2	PUSH WIRE®
Number of connection points 2	1
Actuation type 2	Push-in
Solid conductor 2	0.5 ... 2.5 mm <sup>2</sup> / 18 ... 14 AWG
Fine-stranded conductor; with insulated ferrule 2	0.5 ... 1 mm <sup>2</sup> / 18 ... 16 AWG
Fine-stranded conductor; with uninsulated ferrule 2	0.5 ... 1.5 mm <sup>2</sup> / 18 ... 14 AWG
Strip length 2	8 ... 9 mm / 0.31 ... 0.35 inches

## Connection 3

Connection type 3	Internal 3
Connection technology 3	PUSH WIRE®
Number of connection points 3	1
Actuation type 3	Push-in
Solid conductor 3	0.5 ... 1.5 mm <sup>2</sup> / 18 ... 16 AWG
Fine-stranded conductor; with insulated ferrule 3	0.5 ... 0.75 mm <sup>2</sup> / 18 AWG
Fine-stranded conductor; with uninsulated ferrule 3	0.5 ... 1 mm <sup>2</sup> / 18 AWG
Strip length 3	8 ... 9 mm / 0.31 ... 0.35 inches

## Connection 4

Connection type 4	Internal 4
Connection technology 4	PUSH WIRE®
Number of connection points 4	1
Actuation type 4	Push-in
Solid conductor 4	0.5 ... 0.75 mm <sup>2</sup> / 18 AWG
Strip length 4	8 ... 9 mm / 0.31 ... 0.35 inches

## Physical data

Pin spacing	10 mm / 0.394 inches
Width	40 mm / 1.575 inches
Height from the surface	17 mm / 0.669 inches
Depth	27.3 mm / 1.075 inches

Subject to changes. Please also observe the further product documentation!

WAGO GmbH & Co. KG  
 Hansastr. 27  
 32423 Minden  
 Phone: +49571 887-0 | Fax: +49571 887-169  
 Email: [info.de@wago.com](mailto:info.de@wago.com) | Web: [www.wago.com](http://www.wago.com)

Do you have any questions about our products?  
 We are always happy to take your call at +49 (571) 887-44222.



## Mechanical Data

Marking	1-2- $\frac{1}{2}$ -N
Mounting type	Without snap-in mounting feet

## Material Data

Note (material data)	Information on material specifications can be found here
Color	white
Material group	IIIa
Insulation material	Polycarbonate (PC)
Flammability class per UL94	V0
Clamping spring material	Chrome-nickel spring steel (CrNi)
Contact material	Electrolytic copper (E <sub>Cu</sub> )
Contact plating	Tin
Fire load	0.24 MJ
Halogen-free	Yes
Weight	13.2 g

## Environmental requirements

Temperature stability	120 °C
T marking	T85

## Commercial data

Product Group	8 (Misc. Chassis Mount Blocks)
eCl@ss 10.0	27-14-11-06
eCl@ss 9.0	27-14-11-06
ETIM 8.0	EC001284
ETIM 7.0	EC001284
PU (SPU)	500 pcs
Packaging type	bag
Country of origin	PL
GTIN	4050821097853
Customs tariff number	85369010000

Subject to changes. Please also observe the further product documentation!

WAGO GmbH & Co. KG  
 Hansastr. 27  
 32423 Minden  
 Phone: +49571 887-0 | Fax: +49571 887-169  
 Email: [info.de@wago.com](mailto:info.de@wago.com) | Web: [www.wago.com](http://www.wago.com)


Do you have any questions about our products?  
 We are always happy to take your call at +49 (571) 887-44222.

## Environmental Product Compliance

CAS-No.	131651-65-5 144317-44-2 220133-51-7 220689-12-3 25628-08-4 29420-49-3 375-73-5 503155-89-3 507453-86-3 68259-10-9
REACH Candidate List Substance	Perfluorobutane sulfonic acid (PFBS) and its salts
RoHS Compliance Status	Compliant, With Exemption
RoHS Exemption	6(c) 7(a) 7(c)-I 7(c)-II
SCIP notification number (Austria)	ef2fa8a1-cb3e-4544-bc9f-e626f3a7502c
SCIP notification number (Belgium)	db287f4d-5587-4e3e-8acb-c52b7f0789cc
SCIP notification number (Bulgaria)	c61f05ec-da43-44ac-871c-1ee98029bfed
SCIP notification number (Czech Republic)	5ef660cc-426a-46fb-9303-93ec4b520bf7
SCIP notification number (Denmark)	123c5594-5116-48b2-ba83-6d2a99ba109b
SCIP notification number (Finland)	e6055f42-1cf7-4494-bec3-960b14f25b1b
SCIP notification number (France)	9c897da2-7d31-4155-af12-31a2d4fa8059
SCIP notification number (Germany)	b796d8d2-4b54-4a17-98e4-3321a5afebf8
SCIP notification number (Hungary)	e5297cfd-32a9-4f83-8380-9d727ae709ab
SCIP notification number (Italy)	dfd9e26b-e5ef-4723-9ce3-616593d34a80
SCIP notification number (Netherlands)	ef4c56d6-a7b7-42b6-ad87-a3531f662a2e
SCIP notification number (Poland)	b33e9158-f29c-4c09-86cc-043b6f0839c9
SCIP notification number (Romania)	e276c332-687e-4e04-86ce-d9abc82565ac
SCIP notification number (Sweden)	75e1200e-097d-4c02-8529-432d44d0f45a

## Approvals / Certificates

### General approvals

Logo	Approval	Additional Approval Text	Certificate name
	ENEC 05 DEKRA Certification B.V.	EN 60998	2128791.01

Subject to changes. Please also observe the further product documentation!

## Declarations of conformity and manufacturer's declarations

Logo	Approval	Additional Approval Text	Certificate name
	EU-Declaration of Conformity WAGO GmbH & Co. KG	-	-
	UK-Declaration of Conformity WAGO GmbH & Co. KG	-	-

## Optional accessories

## Tool

Operating tool



**Item no.: 206-294**  
Disconnection tool; green

[www.wago.com/206-294](http://www.wago.com/206-294)

## Strain relief

Strain relief



**Item no.: 294-370**  
Strain relief; for 294 Series; with snap-in mounting feet; white

[www.wago.com/294-370](http://www.wago.com/294-370)

**Item no.: 294-375**  
Strain relief; for 294 Series; without snap-in mounting feet; white

[www.wago.com/294-375](http://www.wago.com/294-375)

Strain relief plate



**Item no.: 294-364**  
Strain relief plate; for 294 Series; for multicore cables; 3- to 5-pole; with secured clamp; white

[www.wago.com/294-364](http://www.wago.com/294-364)

**Item no.: 294-384**  
Strain relief plate; for 294 Series; for single strands; 3- to 5-pole; with secured clamp; white

[www.wago.com/294-384](http://www.wago.com/294-384)

## Downloads

## Documentation

## Bid Text

Subject to changes. Please also observe the further product documentation!

WAGO GmbH & Co. KG  
Hansastr. 27  
32423 Minden  
Phone: +49571 887-0 | Fax: +49571 887-169  
Email: [info.de@wago.com](mailto:info.de@wago.com) | Web: [www.wago.com](http://www.wago.com)

Do you have any questions about our products?  
We are always happy to take your call at +49 (571) 887-44222.



294-4214 X81 - Datei	2019 Feb 19	xml 5.7 kB	Download
294-4214 doc - Datei	2017 Jun 13	doc 28.7 kB	Download

#### Additional Information

Technical Section Technical explanations		pdf 2.2 MB	Download
---	--	---------------	----------

#### CAD/CAE-Data

##### CAD data

2D/3D Models 294-4214		URL	Download
-----------------------	--	-----	----------

##### CAE data

WSCAD Universe 294-4214		URL	Download
-------------------------	--	-----	----------

ZUKEN Portal 294-4214		URL	Download
-----------------------	--	-----	----------

#### Environmental Product Compliance

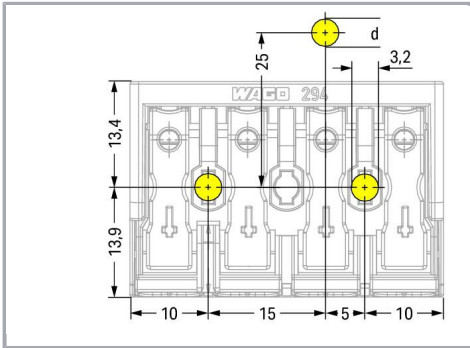
##### Compliance Search

Environmental Product Compliance 294-4214 Lighting connector; push-button, external; with snap-in ground contact; 4-pole; Lighting side: for solid conductors; Inst. side: for all conductor types; max. 2.5 mm <sup>2</sup> ; Surrounding air temperature: max 85°C (T85); 2,50 mm <sup>2</sup> ; white		URL	Download
---	--	-----	----------

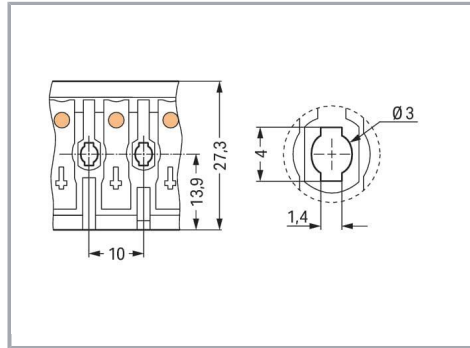
#### Installation Notes

##### Installation

Subject to changes. Please also observe the further product documentation!

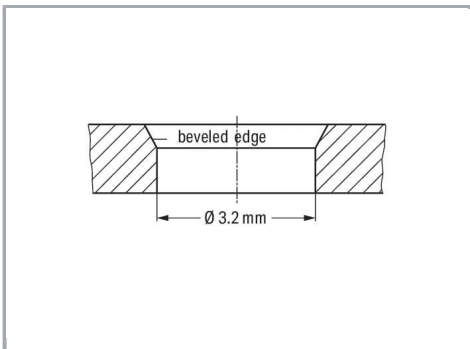


4-pole – with snap-in ground contact,  $d = 4.9 \text{ mm}$



Mounting hole for screw

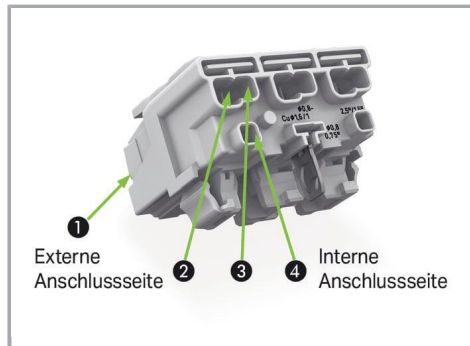
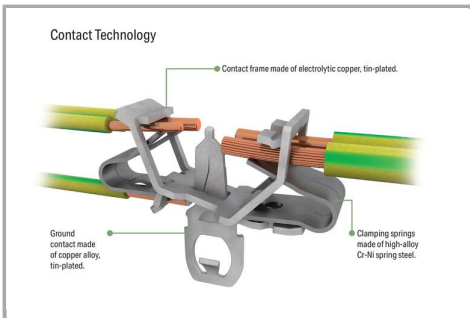
**Notice:** The maximum thread diameter for self-tapping screws is 3 mm.



Hole for screw mount

**Notice:** The maximum thread diameter for self-tapping screws is 3 mm.

### Conductor termination



Subject to changes. Please also observe the further product documentation!



EUROPE
1 x 0.5 ... 2.5 mm <sup>2</sup> "s"
1 x 0.5 ... 1.5 mm <sup>2</sup> "s"
1 x 0.5 ... 0.75 mm <sup>2</sup> "s"
AMERICA
1 x AWG 18 ... 14 "s"
1 x AWG 18 ... 16 "s"
1 x AWG 18 "s"
JAPAN
1 x 0.8 ... 1.6 mm diam. "s"
1 x 0.8 ... 1 mm diam. "s"
1 x 0.8 mm diam. "s"

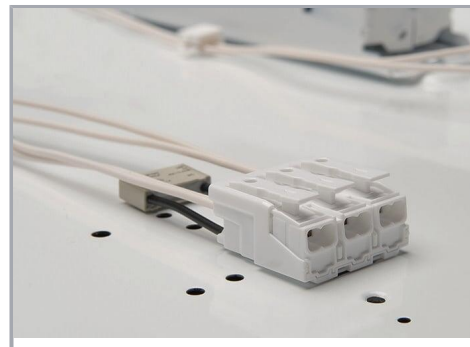
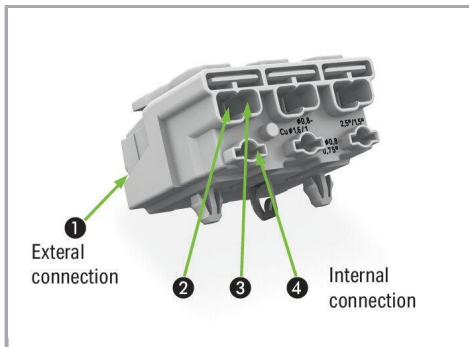
EUROPE
2 x 0.5 ... 2.5 mm <sup>2</sup> "s, str, f-str"
AMERICA
2 x AWG 18 ... 12 "s"
2 x AWG 18 ... 14 "s, f-str"
JAPAN
2 x 0.8 ... 2 mm diam. "s"
2 x 0.5 ... 2 mm <sup>2</sup> "str, f-str"

**Internal connection:**

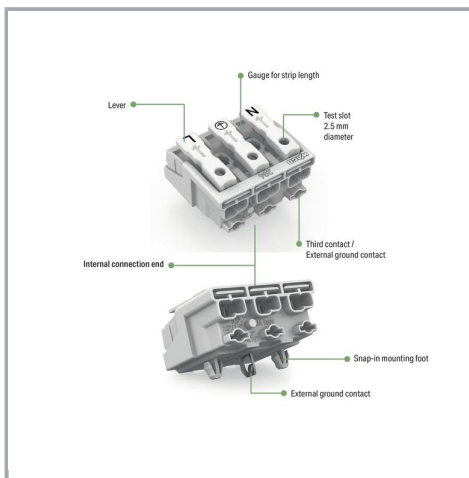
PUSH WIRE® for internal wiring with solid conductors

**External connection:**

Push-in CAGE CLAMP® for field-wiring with all conductor types



Terminating five conductors per pole – solid and fine-stranded.



Subject to changes. Please also observe the further product documentation!