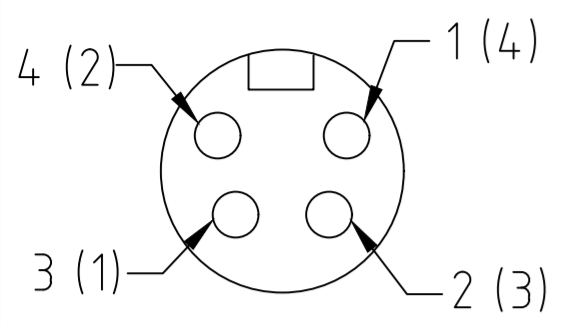


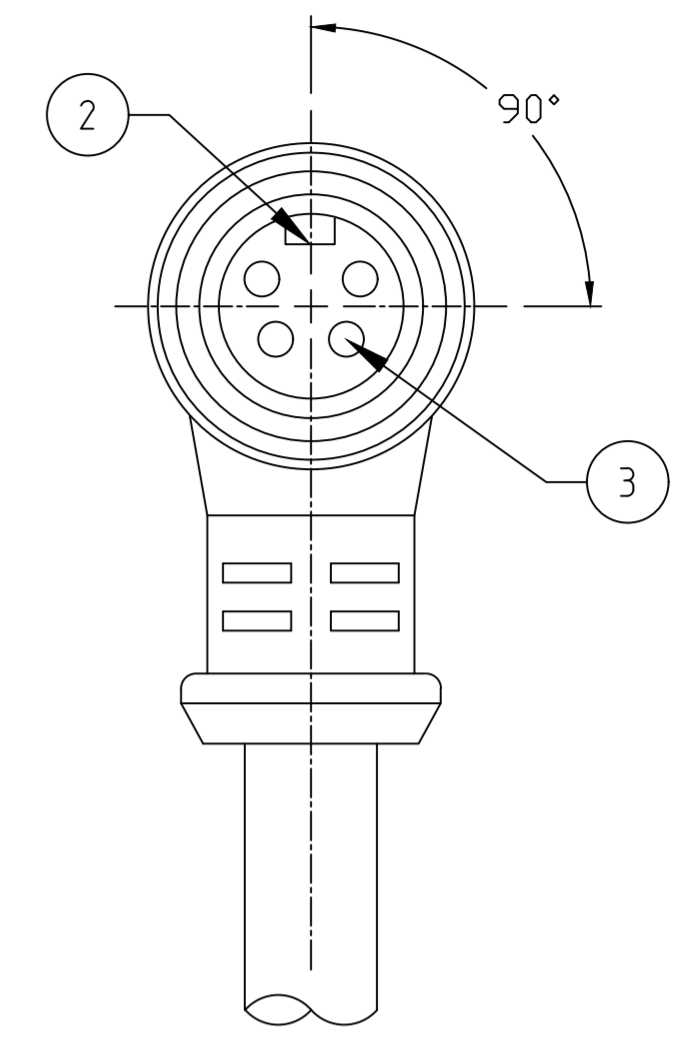
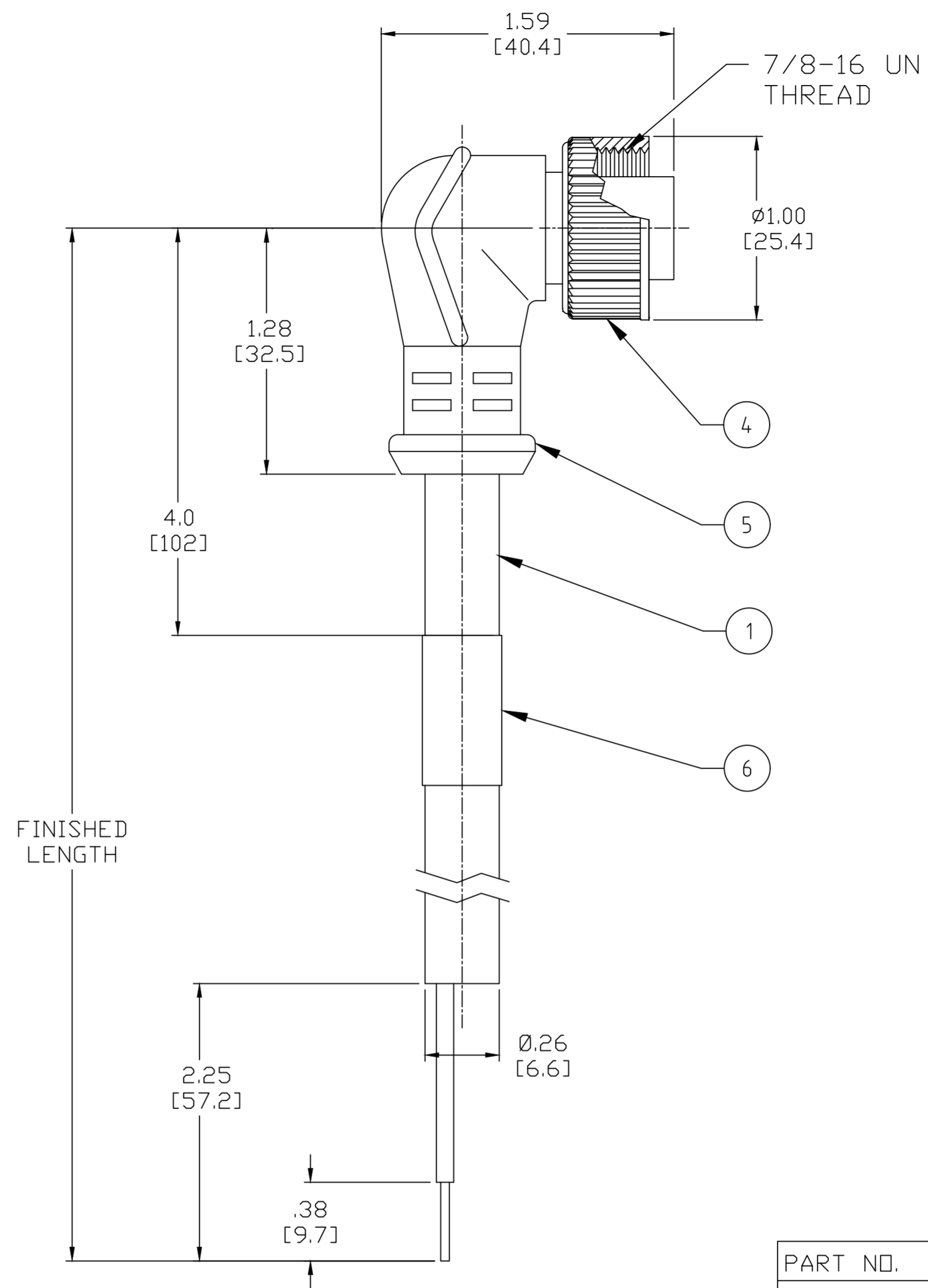
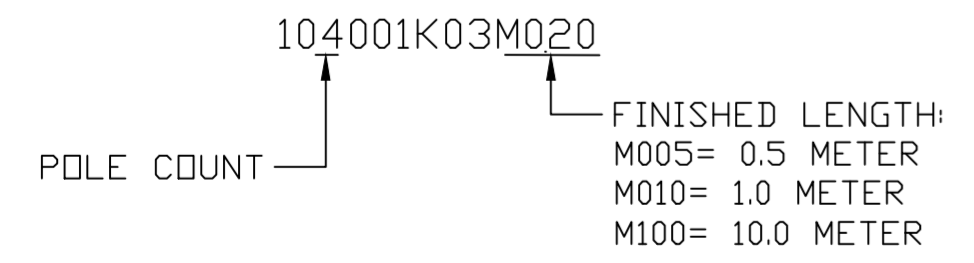
4P FACE VIEW
FEMALE INSERT



- 1 BLACK (4)
- 2 BLUE (3)
- 3 BROWN (1)
- 4 WHITE (2)
(CENELEC)

- NOTES:
1. MATERIAL: AS NOTED
 2. FINISH: AS NOTED
 3. ELECTRICAL:
VOLTAGE: 300V
CURRENT: 5.6A
 4. TEMP RATING: -25°C TO +105°C
 5. PROTECTION: IP67 (WHEN MATED)
 6. COUPLING THREAD: AS NOTED
 7. ALL DIMS ARE FOR REFERENCE UNLESS TOLERANCED OR NOTED OTHERWISE

PART NUMBER LEGEND



CABLE LENGTH TOLERANCES

>.3M [1FT]:	+19mm-0 [+ .75in-0]
.3 - .9M [1 - 3FT]:	+44.5mm-0 [+1.75in-0]
.9 - 1.8M [3 - 6FT]:	+55.6mm-0 [+2.19in-0]
1.8 - 3.7M [6 - 12FT]:	+88.9mm-0 [+3.50in-0]
3.7 - 7.3M [12 - 24FT]:	+165.1mm-0 [+6.50in-0]
7.3-14.6M [24 - 48FT]:	+317.5mm-0 [+12.50in-0]
14.6 - 30.5M [48-100FT]:	+622.3mm-0 [+24.50in-0]
OVER 30M [100FT]	+2% OF FINISHED LENGTH

PART NO.	ENGINEERING NO.	FINISHED LENGTH
1300060982	104001K03M020	2.0M [6FT 7IN]
1300060985	104001K03M060	6.0M [19FT 8IN]
1300062563	104001K03M150	15.0M [49FT 2IN]

ITEM	DESCRIPTION	MATERIAL	FINISH
6	WRAP LABEL	VINYL	BLACK/YELLOW
5	OVERMOLD	TPE	YELLOW
4	COUPLING NUT, INT. THD	ZINC DIE-CAST	NICKEL PLATED
3	CONTACT SOCKET	COPPER ALLOY	GOLD PLATED
2	FEMALE INSERT	TPE	YELLOW
1	CABLE, 18AWG, PLTC	TPE JACKET	YELLOW

SYMBOLS	THIS DRAWING CONTAINS INFORMATION THAT IS PROPRIETARY TO MOLEX ELECTRONIC TECHNOLOGIES, LLC AND SHOULD NOT BE USED WITHOUT WRITTEN PERMISSION		CURRENT REV DESC: RELEASED	
	DIMENSION UNITS	SCALE	EC NO: 627392	
▽ = 0	INCH/MM	1:1	DRWN: RSTONE	2019/11/13
∇ = 0	GENERAL TOLERANCES (UNLESS SPECIFIED)		CHK'D: MZIELINSKI	2019/11/18
∇ = 0			APPR: BWOODMAN	2019/11/20
∇ = 0	4 PLACES	±----	INITIAL REVISION:	
∇ = 0	3 PLACES	±----	DRWN: RSTONE	2019/11/13
∇ = 0	2 PLACES	±----	APPR: BWOODMAN	2019/11/20
∇ = 0	1 PLACE	±----	DOCUMENT NUMBER	
∇ = 0	0 PLACES	±----	1300060982	
∇ = 0	ANGULAR TOL ± ---- °		DOC TYPE/DOC PART REVISION	
∇ = 0	DRAFT WHERE APPLICABLE MUST REMAIN WITHIN DIMENSIONS		PSD	000
∇ = 0	THIRD ANGLE PROJECTION	DRAWING	SHEET NUMBER	
		C-SIZE	1 OF 1	
		SERIES	GENERAL MARKET	
		130006		