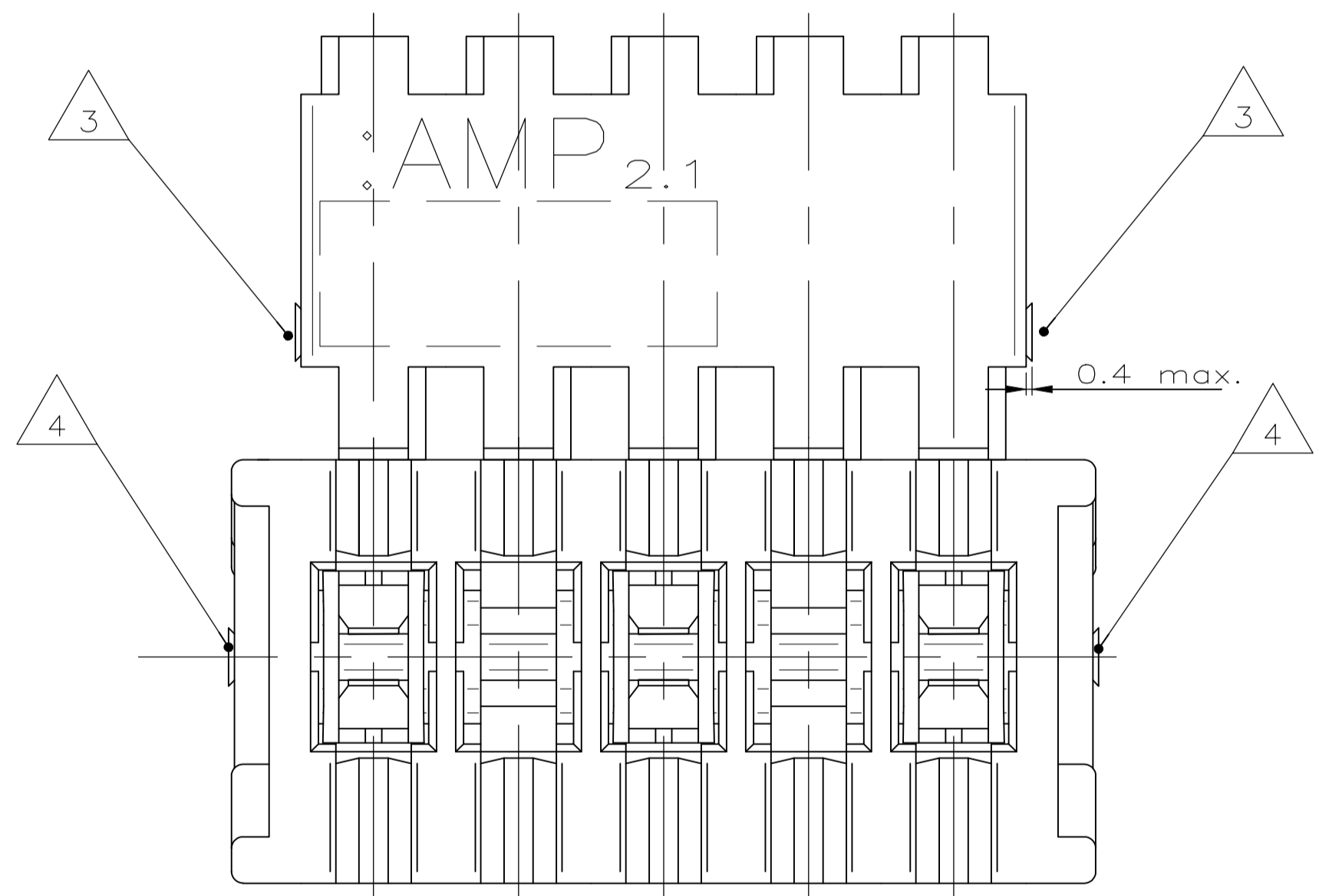
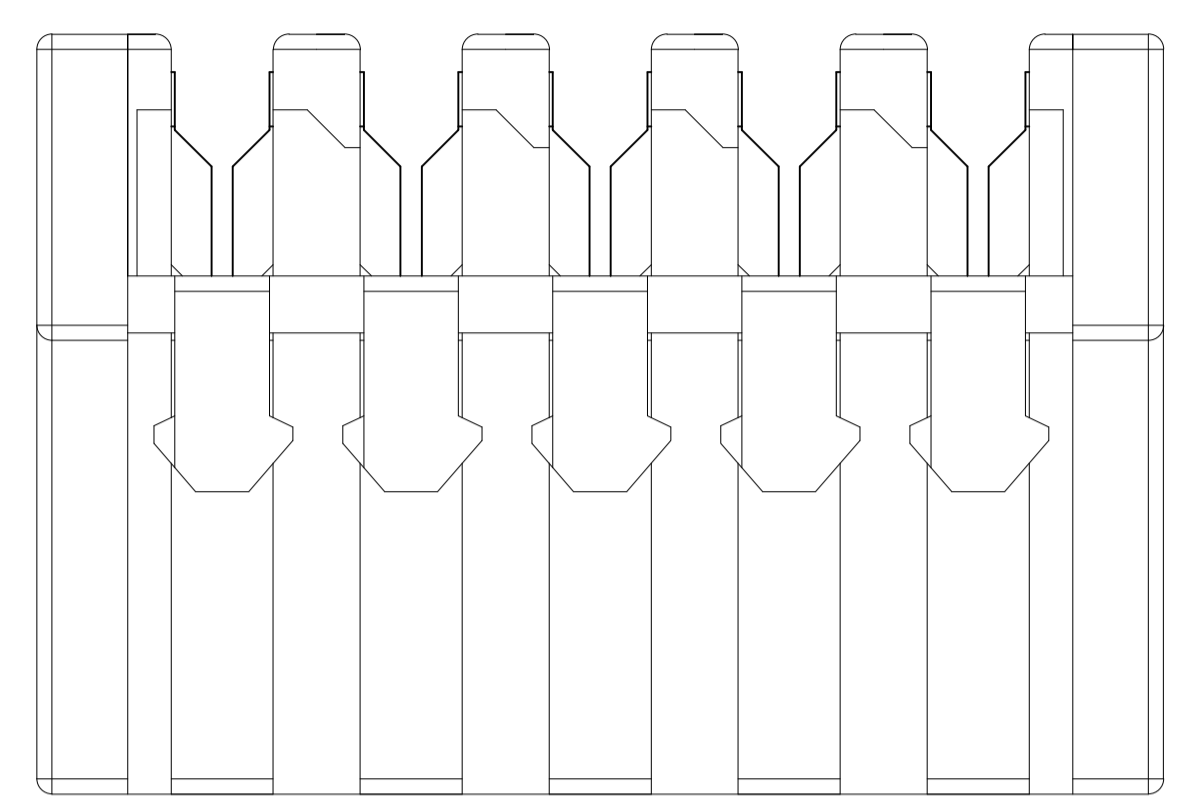
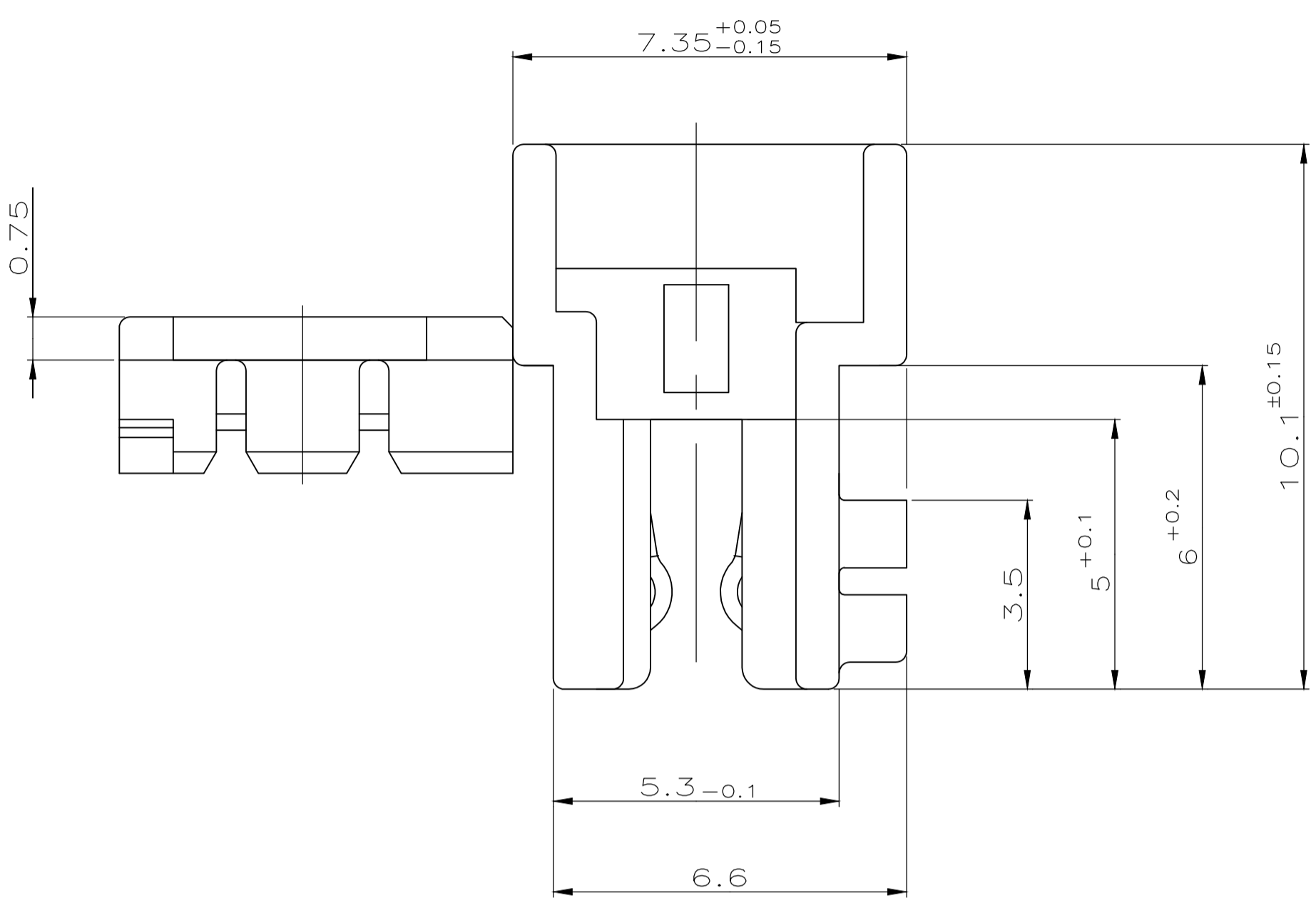
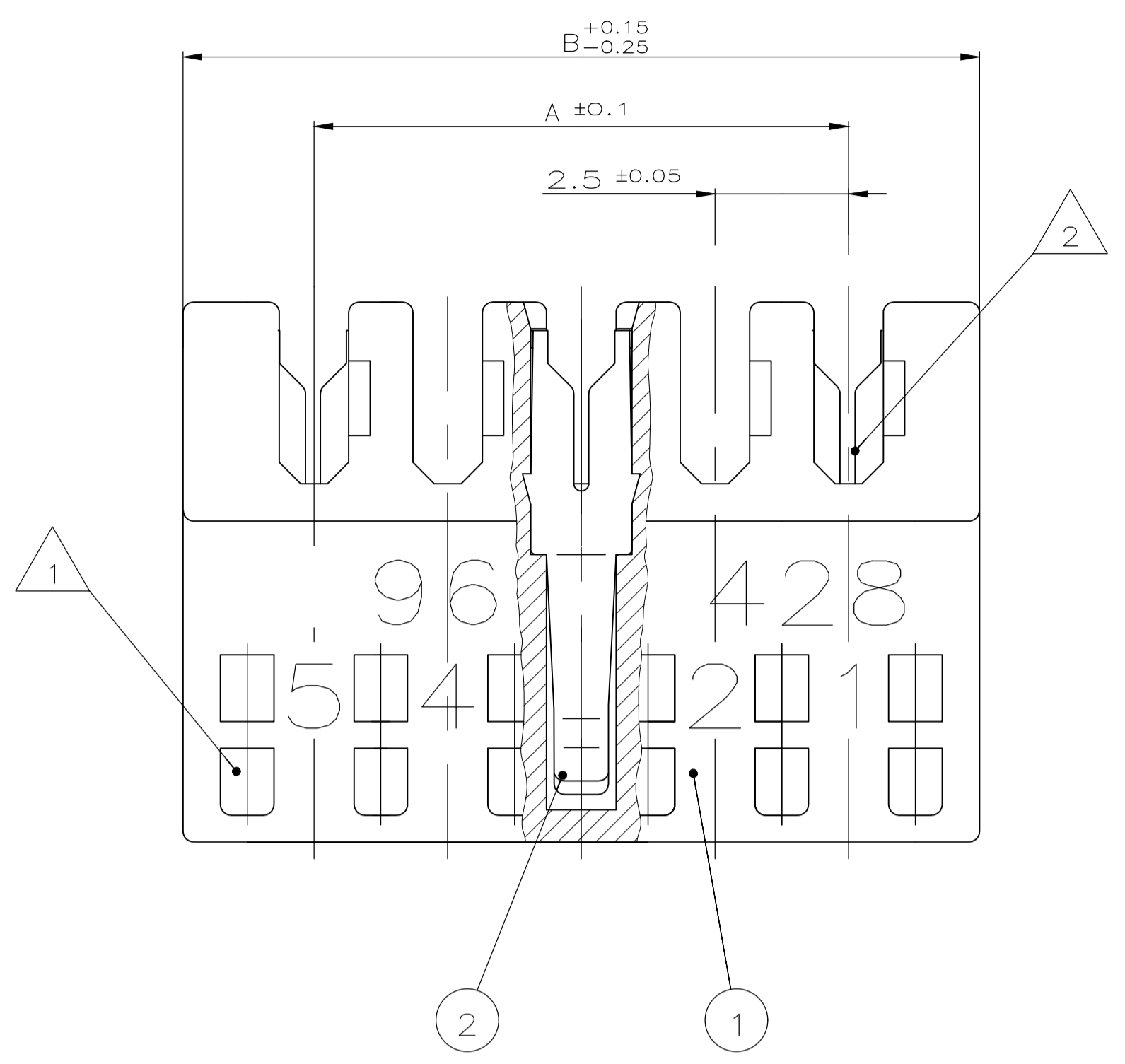


NICHT VERMASSTE KANTEN SIND NICHT MAßSTÄBLICH
 ÄNDERUNGEN DIE DEM TECHNISCHEN FORTSCHRITT DIENEN, BEHALTEN WIR UNS VOR

REVISIONS					
P	LTR	DESCRIPTION	DATE	DMN	APVD
C10		REVISED PER ECR-18-002099	31OCT2018	BW	DC
D		REVISED PER ECR-19-015552	06NOV2019	KD	FL



- 10 PRELIMINARY PART NOT YET RELEASED FOR PRODUCTION
- 9 PBT GF, UL94-V0 & GWEPT 750 NO-FLAME, NATURAL
- 8 PBT GF
- 7 OBSOLETE PARTS: OBSOLETE CIS STREAMLINING PER D.RENAUD/D.SINISI
- 6 MATING PARTS:
 -TAB HEADER SEE DRAWING NO. 1971921 AND EQUIVALENTS.
 -PCB APPLICATION WITH FRAME SEE DRAWING 964 575
 -PCB APPLICATION WITHOUT FRAME SEE SPECIFICATION 108-18056
- 5 X ... CAVITY LOADED WITH CONTACT
 O ... CAVITY WITHOUT CONTACT
- 4 CUTTING AREA FROM PRODUCING PROCESS
- 3 -
- 2 WIRE RANGE DGB II (7xø0.25=0.35mm²)
 SEE APPLICATION SPECIFICATION 114-18049-1
- 1 KEYING RIBS; CUTTING WITH THE TERMINATION MACHINE POSSIBLE

POS.	DIM A	DIM B	TE P/N	TE P/N
20	47.5	52.4	-	-
19	45.0	49.9	1-966-843-9	-
18	42.5	47.4	-	-
17	40.0	44.9	1-966-843-7	-
16	37.5	42.4	-	-
15	35.0	39.9	1-966-843-5	2319801-5
14	32.5	37.4	-	-
13	30.0	34.9	1-966-843-3	-
12	27.5	32.4	-	-
11	25.0	29.9	1-966-843-1	-
10	22.5	27.4	-	-
9	20.0	24.9	1-966-842-9	1-2311514-9
8	17.5	22.4	-	-
7	15.0	19.9	2-966-842-7	-
7	15.0	19.9	1-966-842-7	2311514-7
6	12.5	17.4	3-966-842-6	2311514-6
6	12.5	17.4	2-966-842-6	-
6	12.5	17.4	1-966-842-6	-
5	10.0	14.9	1-966-842-5	-
4	7.5	12.4	-	-
3	5.0	9.9	1-966-842-3	2-2311514-3

THIS DRAWING IS A CONTROLLED DOCUMENT.

DBN: ATZMANN 9.11.95
 CHK: SCHNAUBELT 9.11.95

ATZMANN
 SCHNAUBELT

NAME: AMP DUOPLUG 2.5 FEMALE CONNECTOR 3-20 POSITION, DGB, ISELECTIV LOADED

PRODUCT SPEC: 114-18049-1
 APPLICATION SPEC: 114-18049-1

SIZE: A1
 CAGE CODE: 00779
 DRAWING NO: 966842

RESTRICTED TO: -

WEIGHT: 0

CUSTOMER DRAWING

SCALE: 10:1
 SHEET: 1 of 1
 REV: D

SIEHE TABELLE	SEE TABLE	POS.	STÜCK	BENENNUNG EINZELTEIL	WERKSTOFF	ANMERKUNGEN
2	-	-	-	KONTAKT	CuSn	VORVERZINNT
1	-	-	-	FEDERLEISTENGEHÄUSE	PBTGF	NATUR