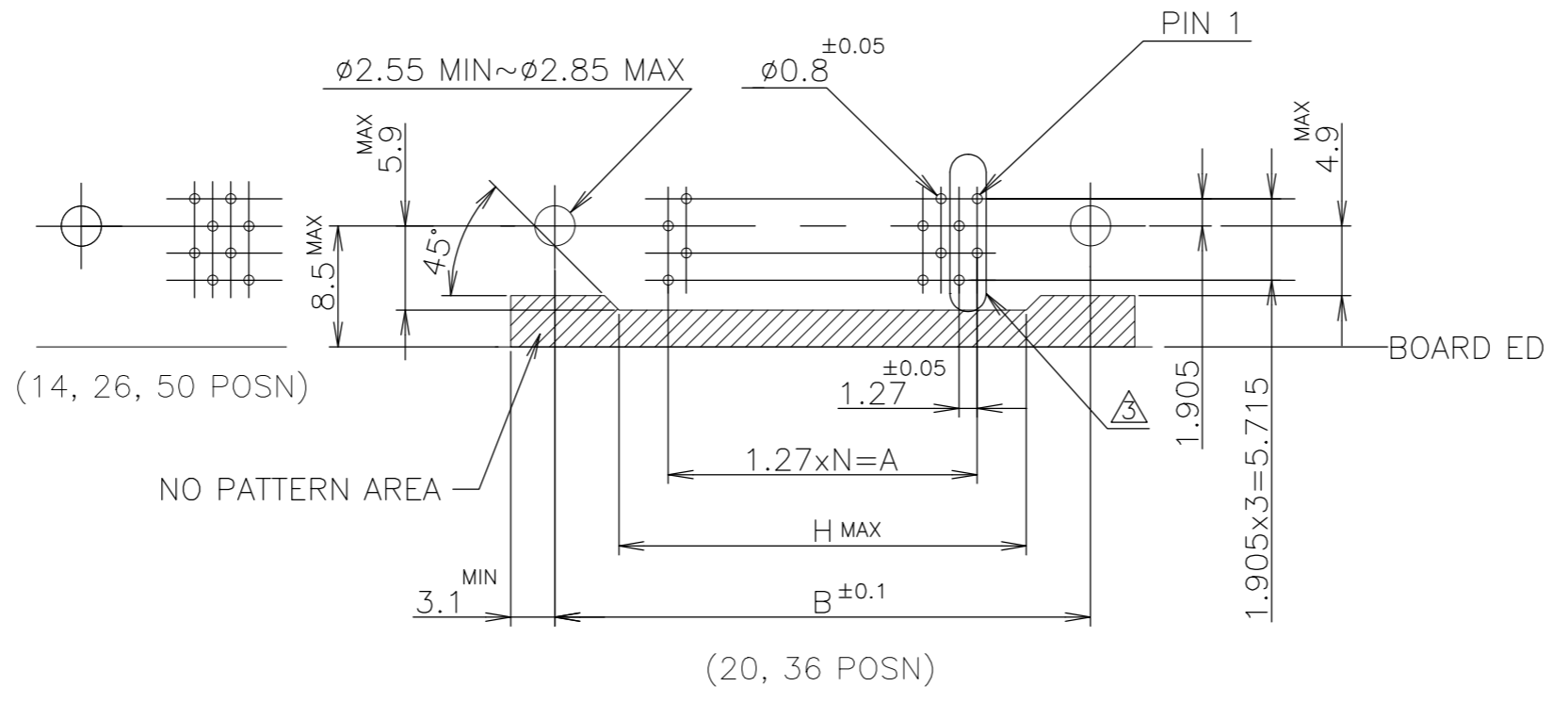
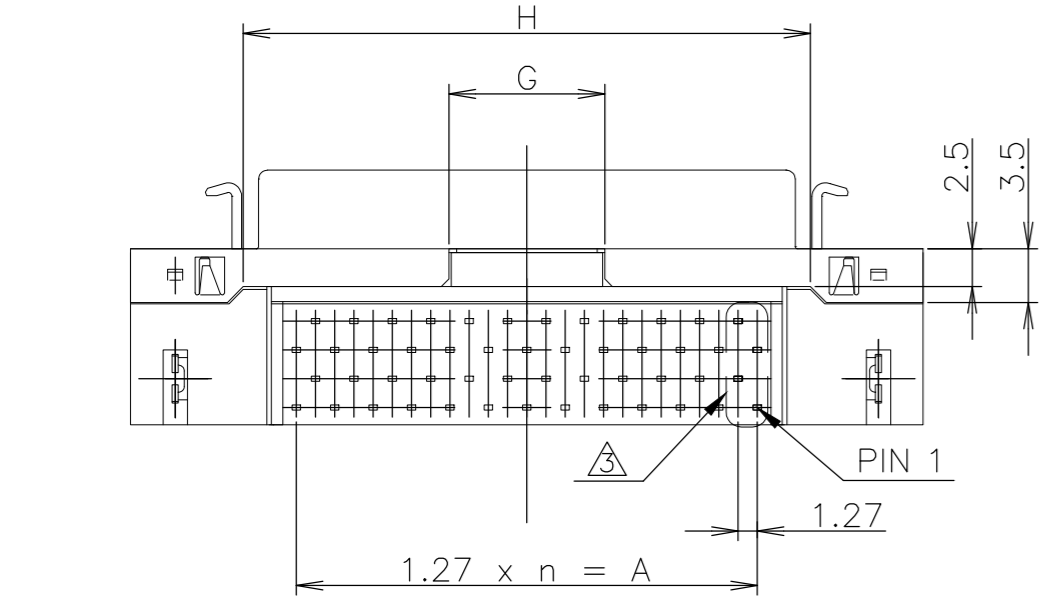
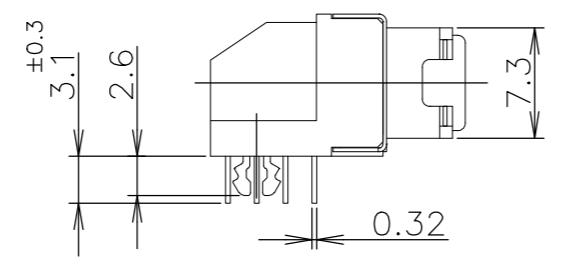
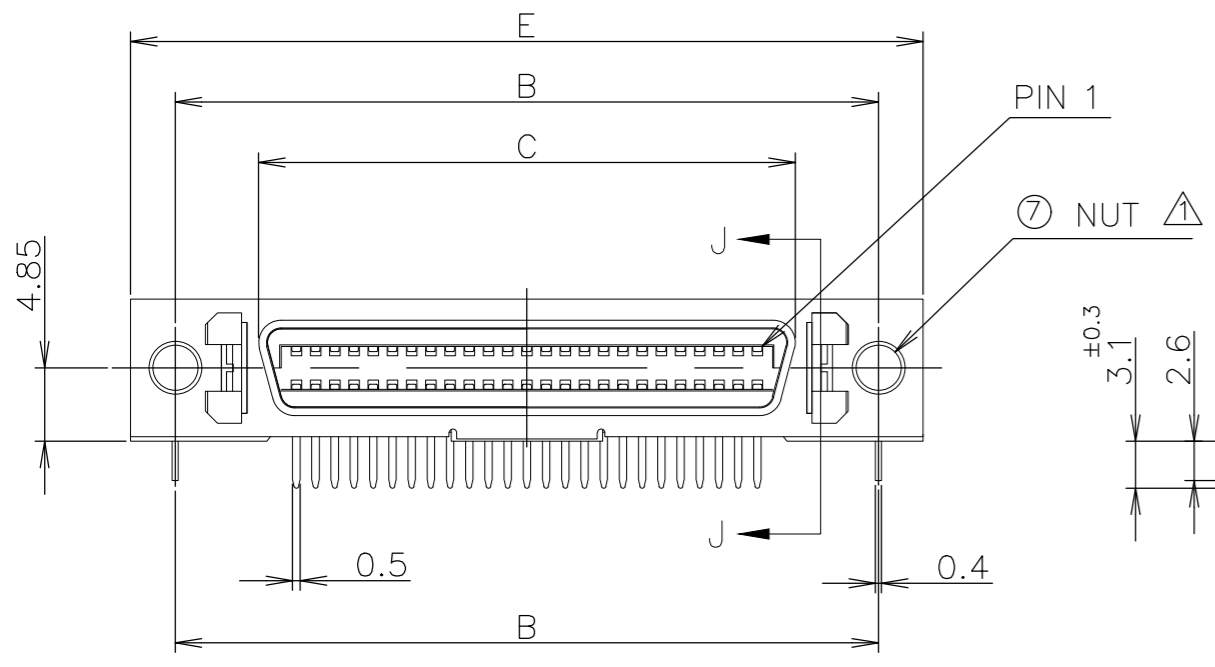
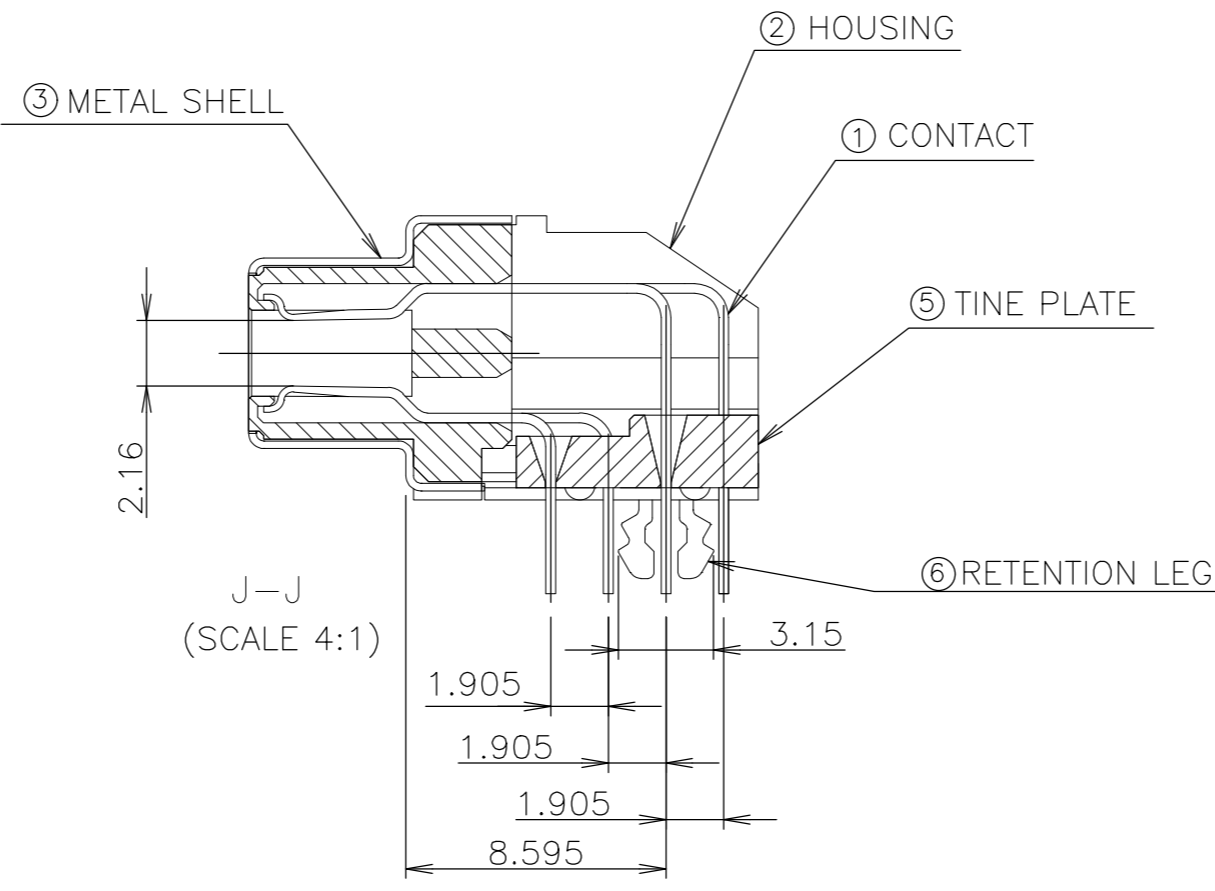
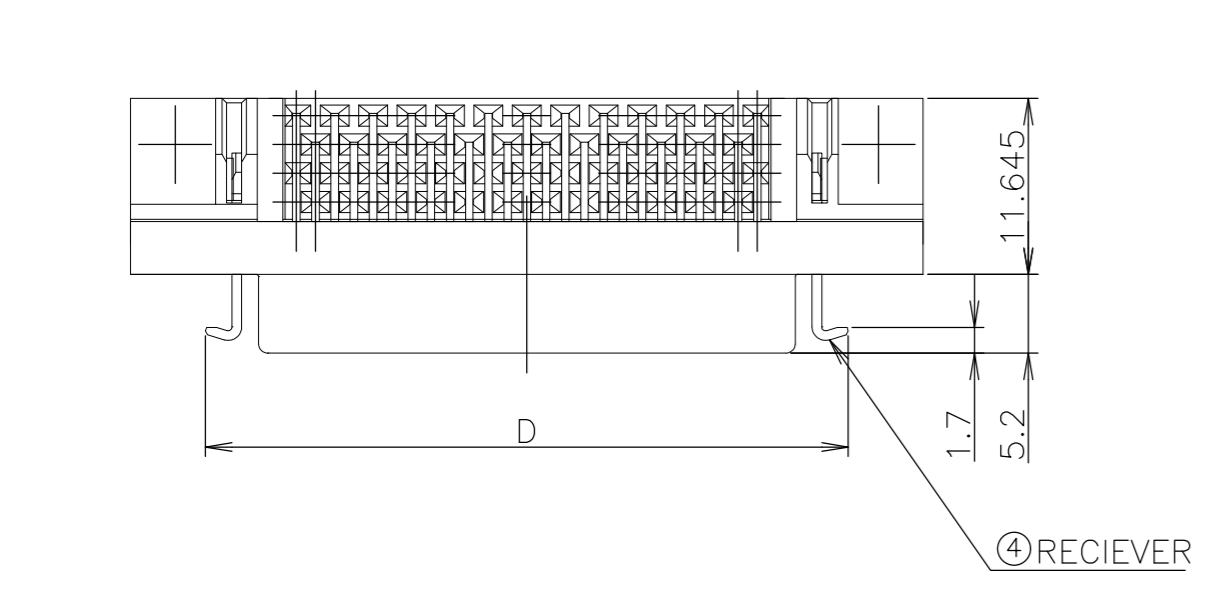


THIS DRAWING IS UNPUBLISHED. RELEASED FOR PUBLICATION
 © COPYRIGHT - - ALL RIGHTS RESERVED.

REVISIONS				
P	LTR	DESCRIPTION	DATE	APVD
S		REVISED PER ECO-19-014246	22JAN2020	VM SH

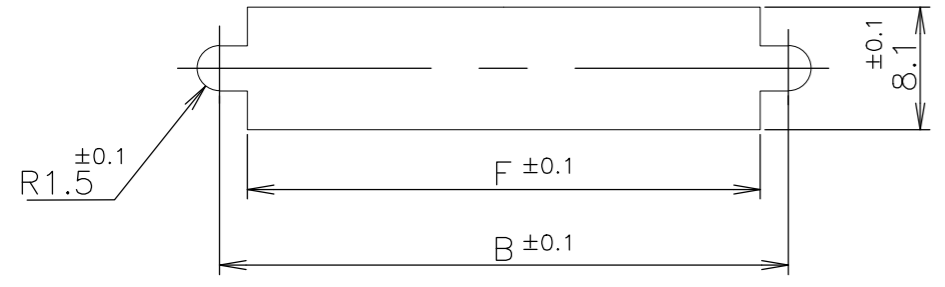


ITEM	(MATERIAL)	(FINISH)
①	COPPER ALLOY	NICKEL UNDER PLATE ALL OVER CONTACT AREA ; Au(0.0001) SOLDER TINE AREA ; TIN PLATE
② ⑤	PBT OR PA6T	COLOR : PBT BLACK PA6T NATURAL
③	STEEL THK0.25	NICKEL PLATE OVER COPPER UNDERPLATE
④	STAINLESS STEEL	
⑥	COPPER ALLOY	NICKEL UNDER PLATE ALL OVER. TIN PLATING ALL OVER.
⑦	STEEL	NICKEL PLATE OVER COPPER UNDERPLATE

△ RECOMMENDED SCREW SIZE ; M2.6 PANHEAD SCREW.(L=5)
 2 RECOMMENDED P.C BOARD THICKNESS ; 1.6mm±0.15
 △ POST PATTERN AS SHOWN ON THIS END FOR ALL POSITION.

LEAD FREE

RECOMMENDED PC BOARD MOUNTING DIMMENSION COMPONENT SIDE



RECOMENDED PANEL CUTOUT THK,2mm MAX

OBSOLETE	PA6T	37.5	10.3	42.8	52.40	42.50	35.48	46.50	30.48	24	50	1-5917738-7
OBSOLETE	PA6T	28.61	8.3	33.9	43.51	33.61	26.59	37.61	21.59	17	36	1-5917738-5
OBSOLETE	PBT	37.5	10.3	42.8	52.40	42.50	35.48	46.50	30.48	24	50	5917738-7
	PBT	28.61	8.3	33.9	43.51	33.61	26.59	37.61	21.59	17	36	5917738-5
	PBT	22.26	8.3	27.6	37.16	27.26	20.24	31.26	15.24	12	26	5917738-4
OBSOLETE	PBT	18.45	8.3	23.8	33.35	23.45	16.43	27.45	11.43	9	20	5917738-2
OBSOLETE	PBT	14.64	8.3	19.9	29.54	19.64	12.62	23.64	7.62	6	14	5917738-1

THIS DRAWING IS A CONTROLLED DOCUMENT.						DWN LEO ZHOU 30NOV04	TE Connectivity Ltd. CHAMP .050 SERIES(II) FMS-TYPE					
DIMENSIONS: 单位: 耗 mm						CHK STEVEN YAO 30NOV04						
TOLERANCES UNLESS OTHERWISE SPECIFIED: 一般公差						APVD JENOMOTO 30NOV04	PRODUCT SPEC					
0 PLC ± 0.2						APPLICATION SPEC						
1 PLC ± 0.2						取付適用規格						
2 PLC ± 0.2						WEIGHT						
3 PLC ± 0.2						SCALE 2:1						
4 PLC ± 0.2						SHEET 1 of 1						
ANGLES ± 3						REV S						
FINISH 仕上						CUSTOMER DRAWING						