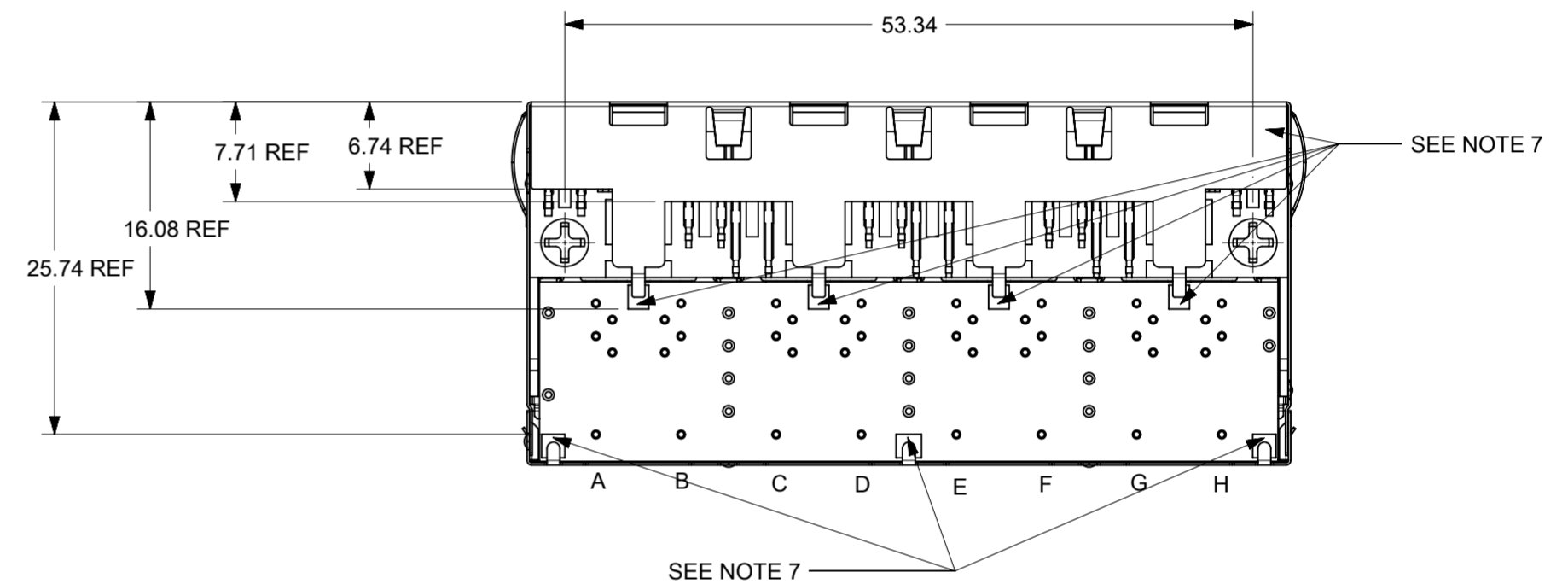
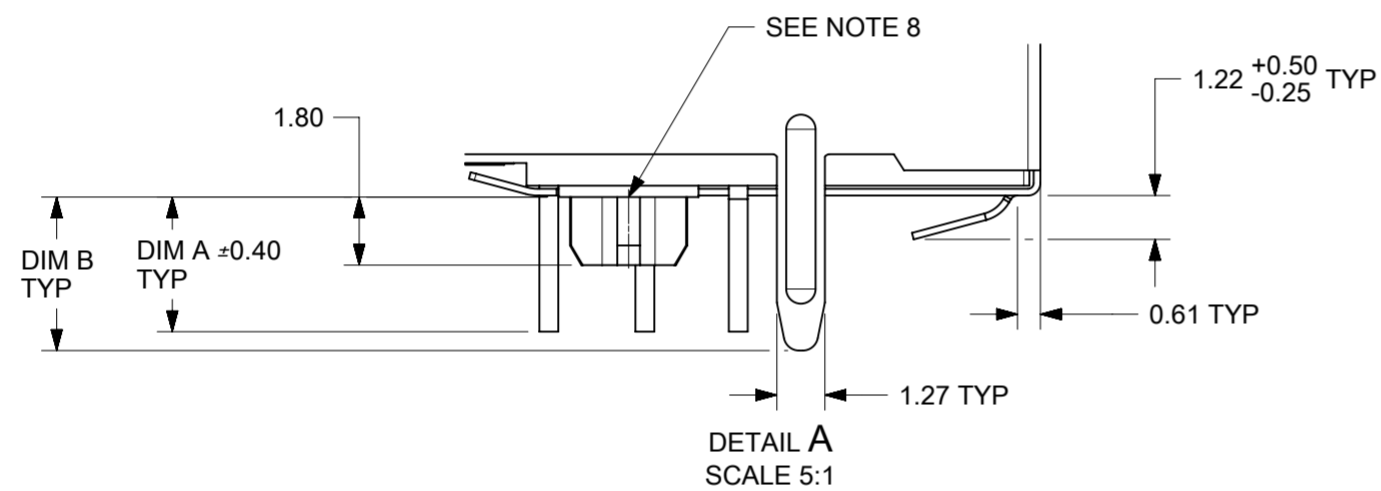
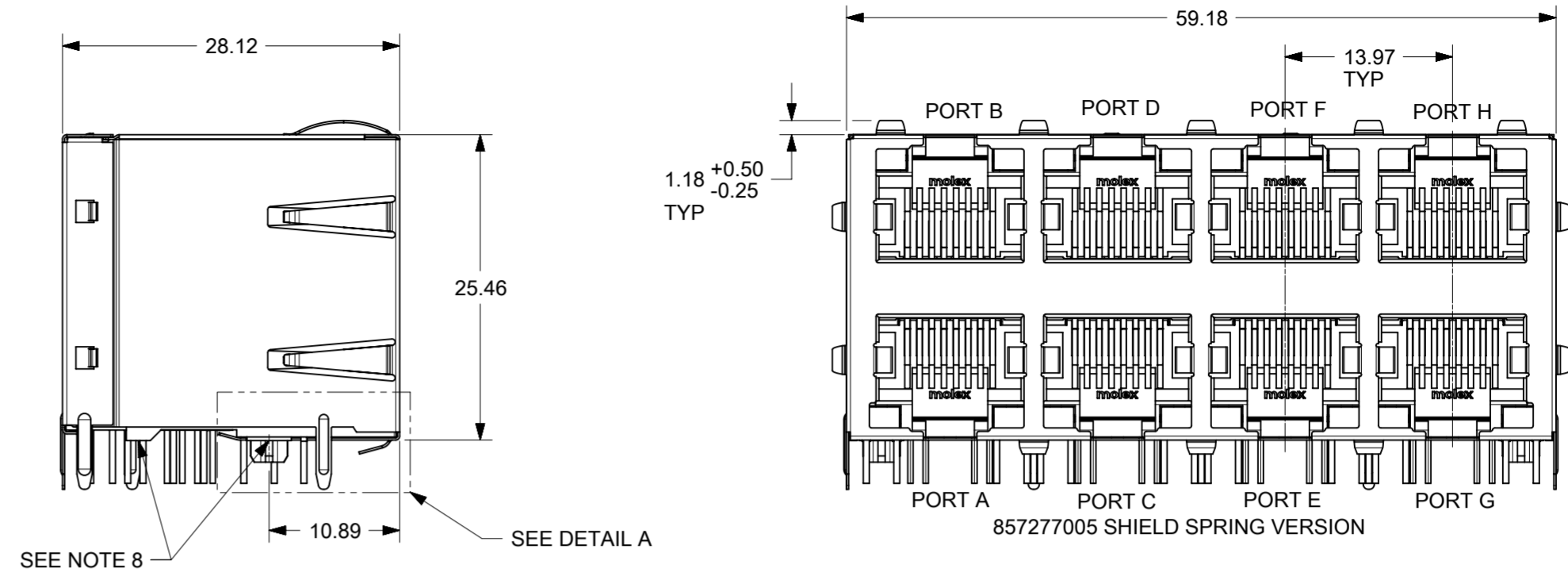
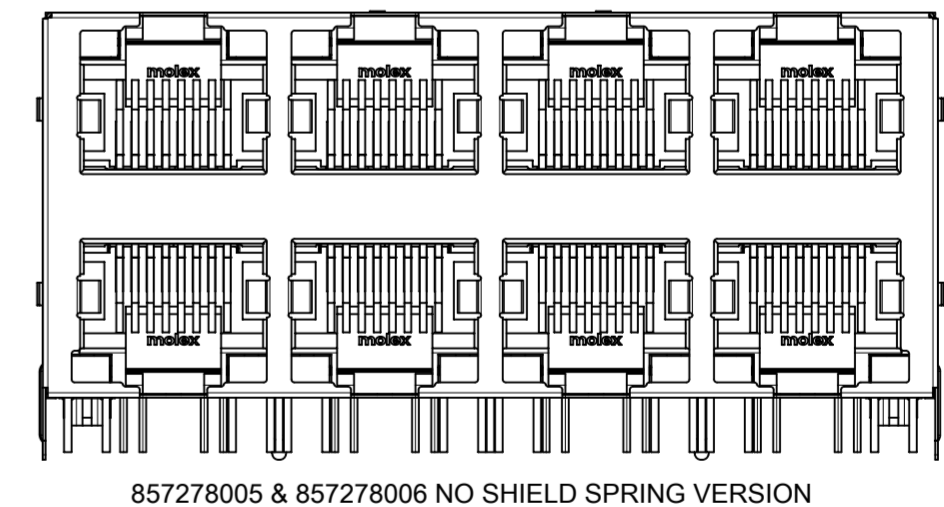


# FAST ETHERNET MAGNETIC JACK 2x4 LED WITH AND WITHOUT SHIELD SPRINGS

## MINIMUM 500V ISOLATION BETWEEN ETHERNET SIGNALS AND SHIELD



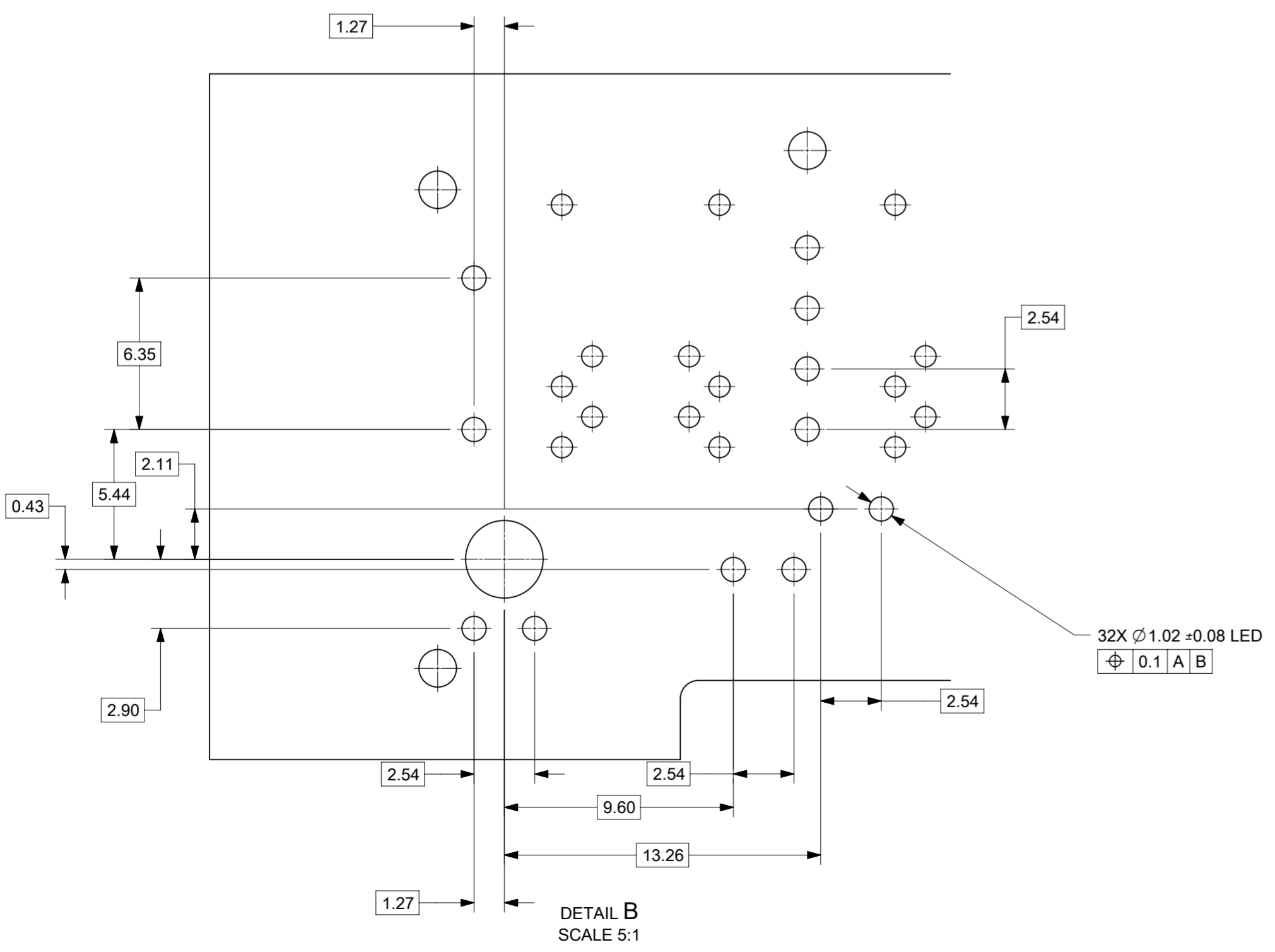
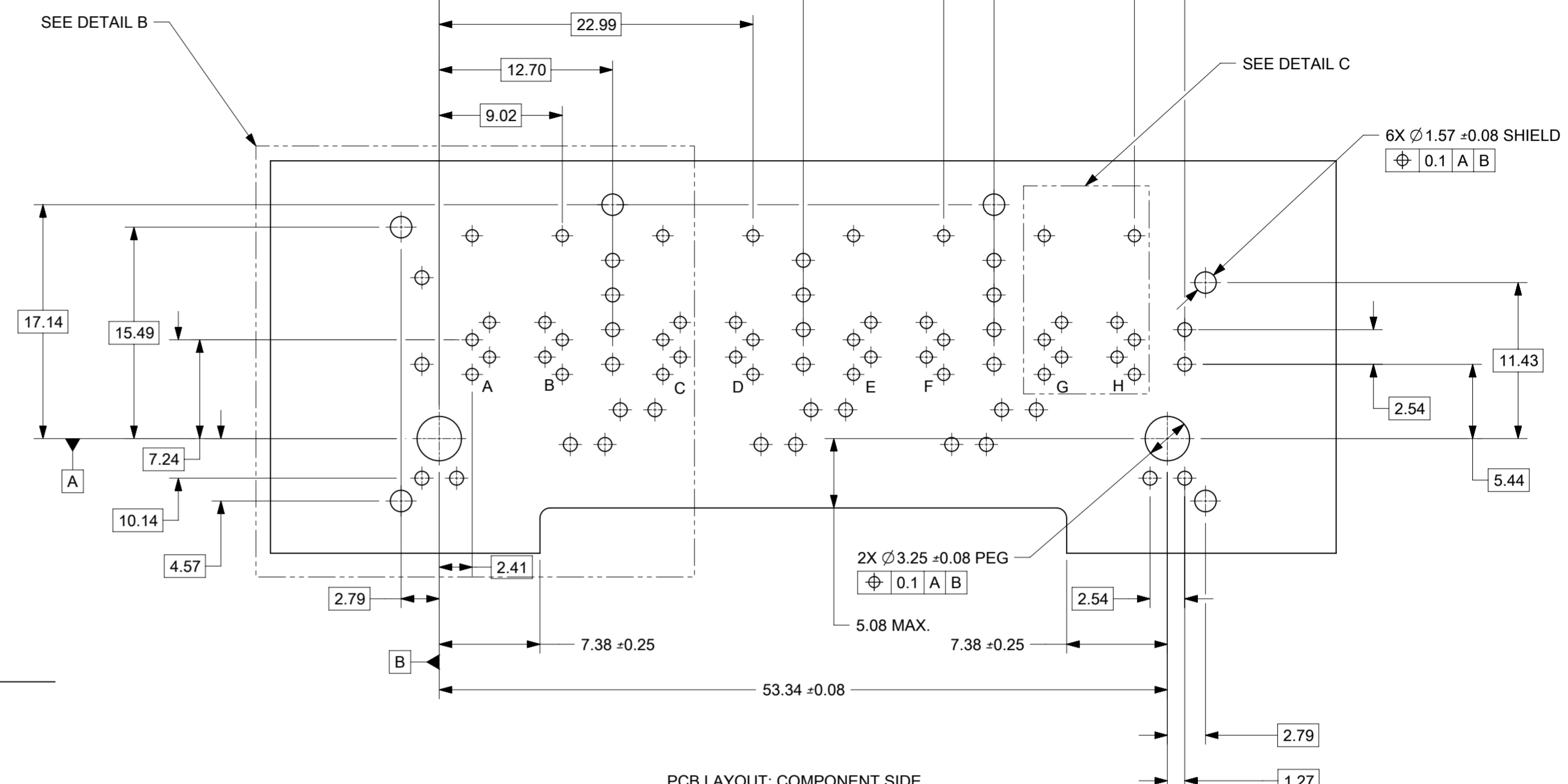
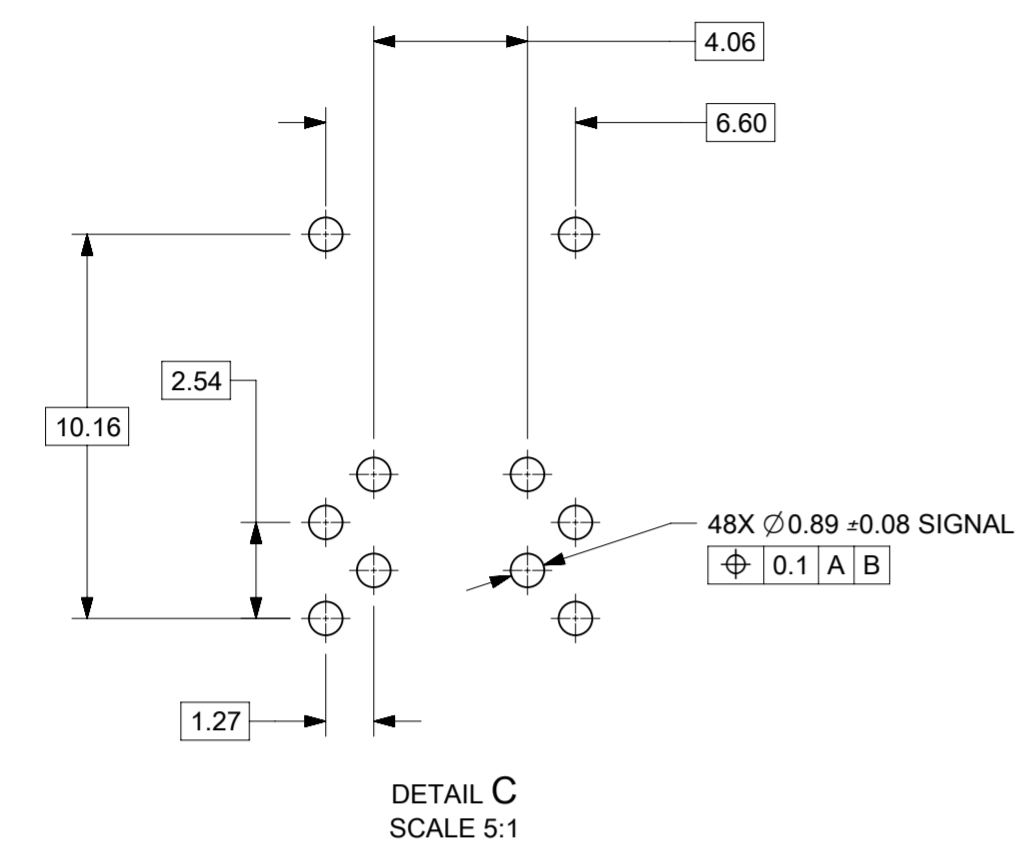
PART NUMBER	UPPER & LOWER LED LEFT	UPPER & LOWER LED RIGHT	DIM A	DIM B
85727-7005 SPRINGS	GREEN	YELLOW	3.56	4.06
85727-8005 NO SPRINGS	GREEN	YELLOW	3.56	4.06
85727-8006 NO SPRINGS	GREEN	YELLOW	2.40	2.40



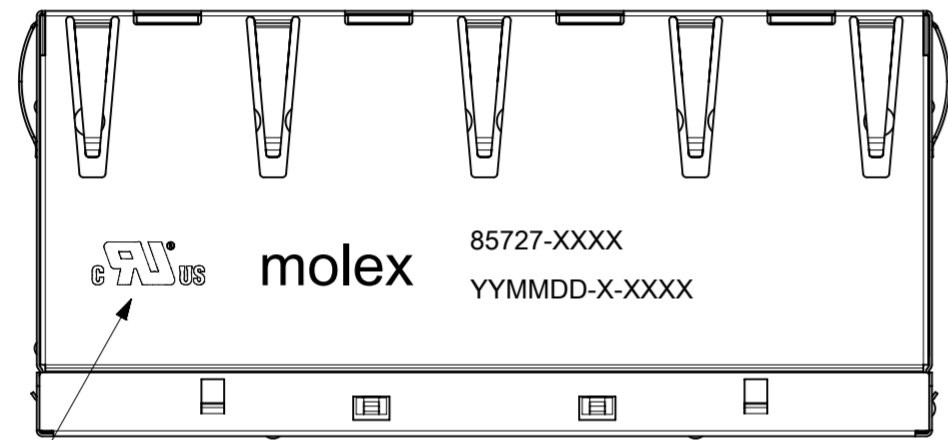
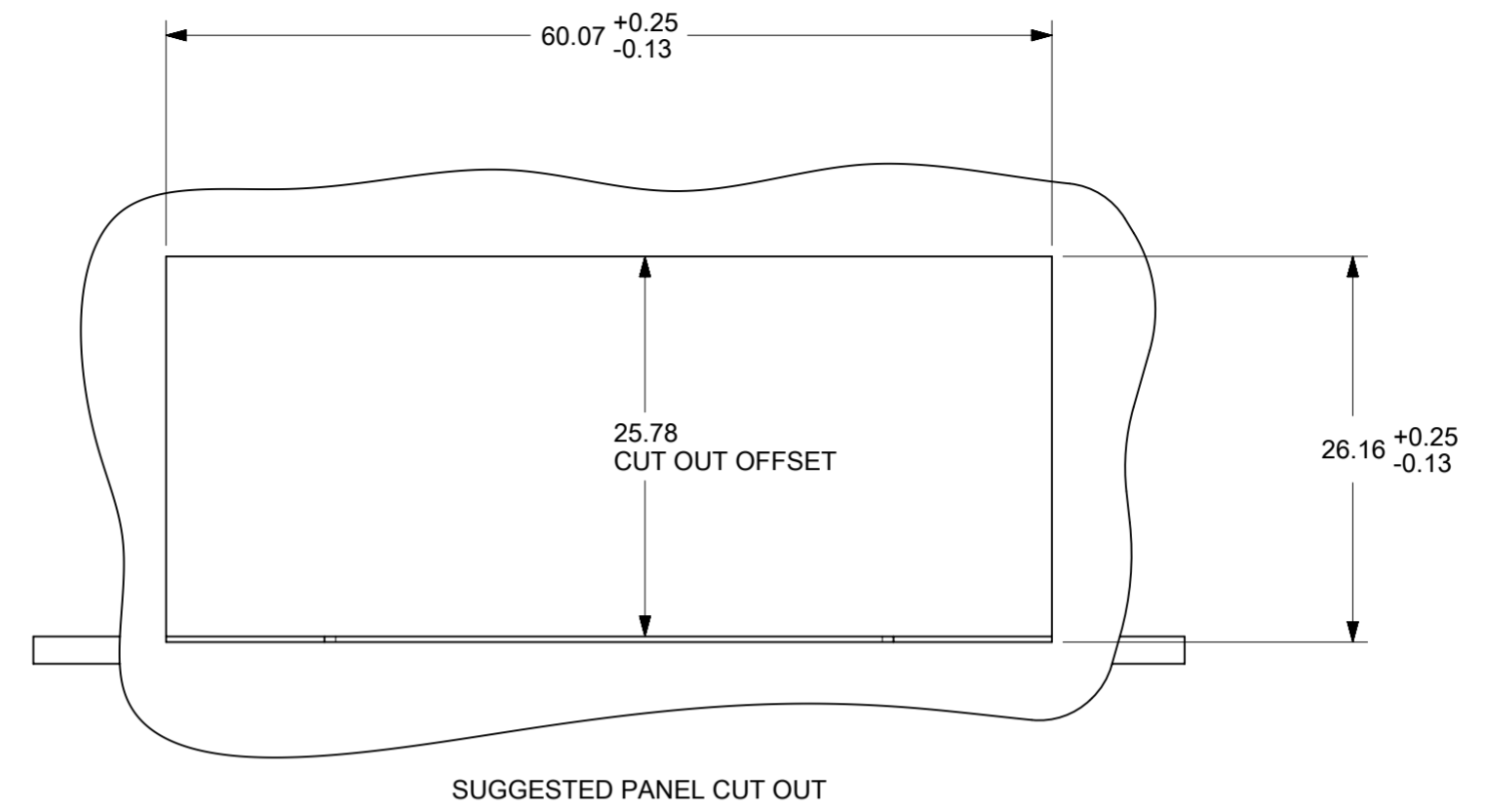
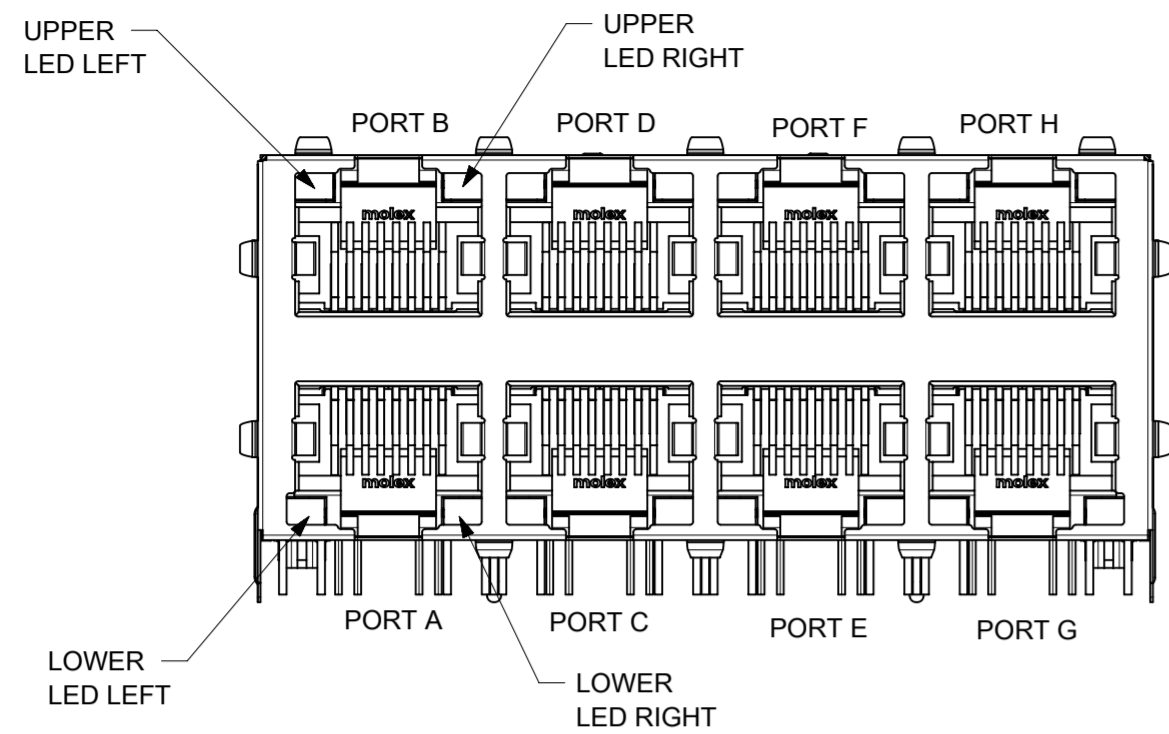
- NOTES:
- SHIELD MATERIAL: BRASS; PLATING: NICKEL PRE-PLATING
  - PLASTIC MATERIAL: POLYESTER (PBT)BLACK, 30%GR, UL 94V-0
  - TERMINALS MATERIAL: COPPER ALLOY  
RJ45 CONTACT AREA PLATING: 0.76 MICROMETER GOLD OVER 1.9 MICROMETER NICKEL  
SOLDER TERMINALS: 3 MICROMETER TIN
  - MATING INTERFACE ACCORDING TO IEC 60603-7
  - PRODUCT SPECIFICATION: PS-85727-001  
FOR FURTHER INFORMATION ON MAGNETICS AND LED FUNCTION REFER TO THIS SPECIFICATION
  - PACKAGING SPECIFICATION: PK-85727-001
  - TRACES WITHOUT INSULATION NOT ALLOWED IN THE DASHED AREAS.  
(TO AVOID SHORTS TO SHIELD)
  - STAND OFF TO SYSTEM BOARD

REVISION CHART	
REV	CHANGE CONTENT
B2	85727-8006 SHORTEN SHIELD PIN LENGTH

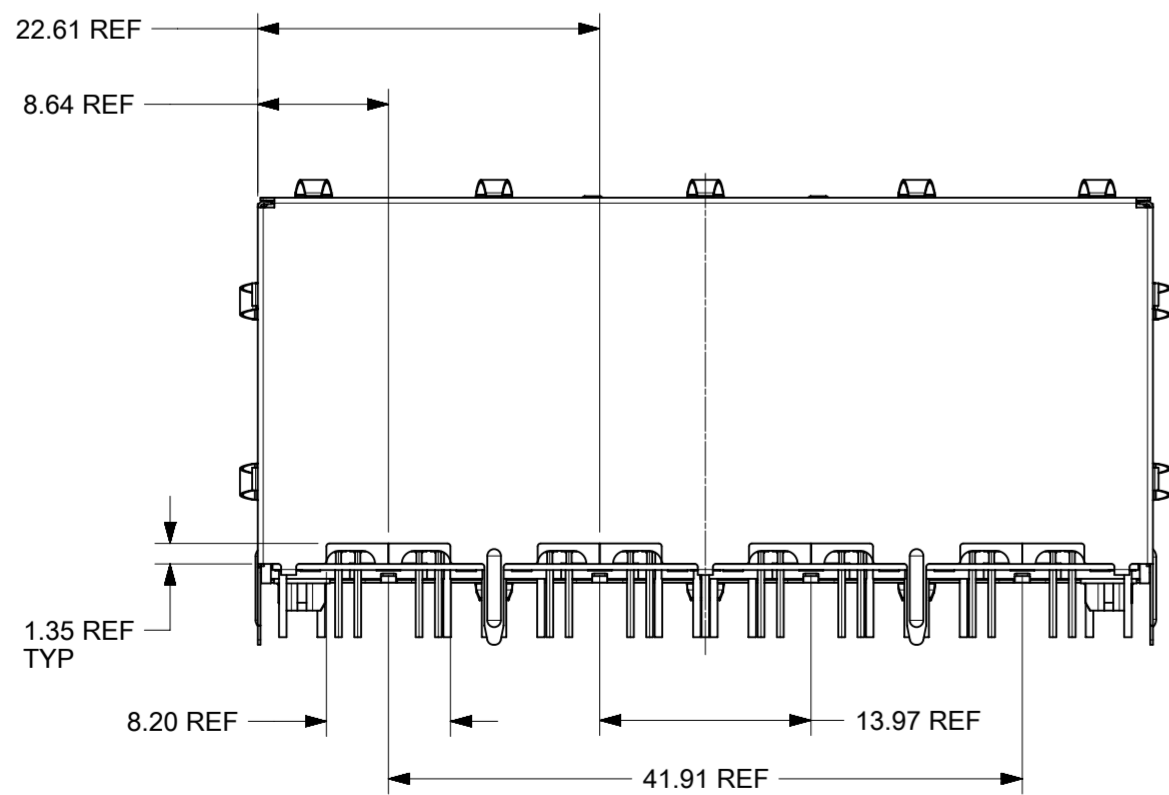
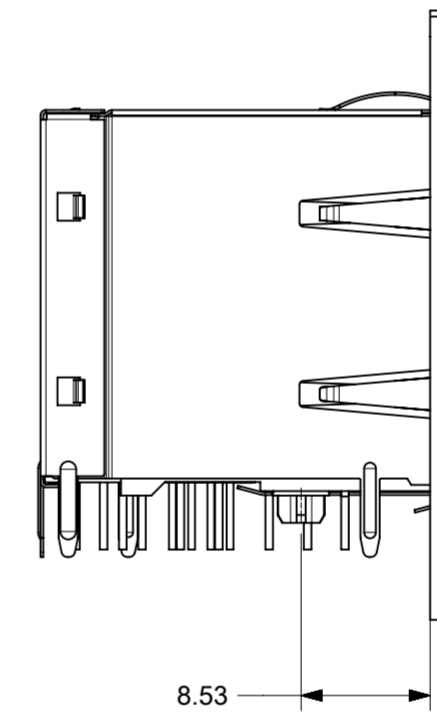
SYMBOLS		THIS DRAWING CONTAINS INFORMATION THAT IS PROPRIETARY TO MOLEX ELECTRONIC TECHNOLOGIES, LLC AND SHOULD NOT BE USED WITHOUT WRITTEN PERMISSION	
$\nabla = 0$	DIMENSION UNITS	SCALE	CURRENT REV DESC: SEE REV CHART
$\nabla = 0$	mm	2:1	
$\nabla = 0$	GENERAL TOLERANCES (UNLESS SPECIFIED)		
$\nabla = 0$	ANGULAR TOL $\pm 0.5^\circ$		
$\nabla = 0$	4 PLACES $\pm$	EC NO: 621505	2019/07/29
$\nabla = 0$	3 PLACES $\pm$	DRWN: AFENG02	2019/07/31
$\nabla = 0$	2 PLACES $\pm 0.25$	CHK'D: KLANG	2019/07/31
$\nabla = 0$	1 PLACE $\pm 0.5$	APPR: KLANG	2019/07/31
$\nabla = 0$	0 PLACES $\pm$	INITIAL REVISION:	
$\nabla = 0$	DRAFT WHERE APPLICABLE MUST REMAIN WITHIN DIMENSIONS	DRWN: JBADER	2015/12/17
$\nabla = 0$		APPR: SSTEINKE	2016/01/19
	THIRD ANGLE PROJECTION	DRAWING	SERIES
		A2-SIZE	85727
		MATERIAL NUMBER	CUSTOMER
		SEE CHART	GENERAL MARKET
		DOCUMENT NUMBER	DOC TYPE   DOC PART   REVISION
		SD-85727-705	PSD   001   B2
		SHEET NUMBER	1 OF 4



SYMBOLS	THIS DRAWING CONTAINS INFORMATION THAT IS PROPRIETARY TO MOLEX ELECTRONIC TECHNOLOGIES, LLC AND SHOULD NOT BE USED WITHOUT WRITTEN PERMISSION		
	DIMENSION UNITS	SCALE	CURRENT REV DESC: SEE REV CHART
∅ = 0	mm	3:1	
∇ = 0	GENERAL TOLERANCES (UNLESS SPECIFIED)		
∇ = 0	ANGULAR TOL ± 0.5°		
S = 0	4 PLACES ±	EC NO: 621505	
∇ = 0	3 PLACES ±	DRWN: AFENG02	2019/07/29
∇ = 0	2 PLACES ± 0.25	CHK'D: KLANG	2019/07/31
∇ = 0	1 PLACE ± 0.5	APPR: KLANG	2019/07/31
∇ = 0	0 PLACES ±	INITIAL REVISION:	
∇ = 0	DRAFT WHERE APPLICABLE MUST REMAIN WITHIN DIMENSIONS	DRWN: JBADER	2015/12/17
	THIRD ANGLE PROJECTION	APPR: SSTEINKE	2016/01/19
	DRAWING	SERIES	MATERIAL NUMBER
	A2-SIZE	85727	SD-85727-705
		CUSTOMER	GENERAL MARKET
		DOC TYPE	PSD
		DOC PART	001
		REVISION	B2
		SHEET NUMBER	2 OF 4



SEE NOTE 3



NOTED:  
 1 - PRINTING MARKED BY LASER  
 2 - INSCRIPTION:  
 1st LINE: PART NUMBER  
 2nd LINE: DATE CODE (YEAR,MONTH,DAY) - MANUFACTURER ID - COSECUTIVE NUMBER  
 3 - UL LOGO

PART NUMBER	UPPER & LOWER LED LEFT	UPPER & LOWER LED RIGHT	DIM A	DIM B
85727-7005 SPRINGS	GREEN	YELLOW	3.56	4.06
85727-8005 NO SPRINGS	GREEN	YELLOW	3.56	4.06
85727-8006 NO SPRINGS	GREEN	YELLOW	2.40	2.40

ADDITIONAL LED COLOURS AND CONFIGURATIONS AVAILABLE ON REQUEST

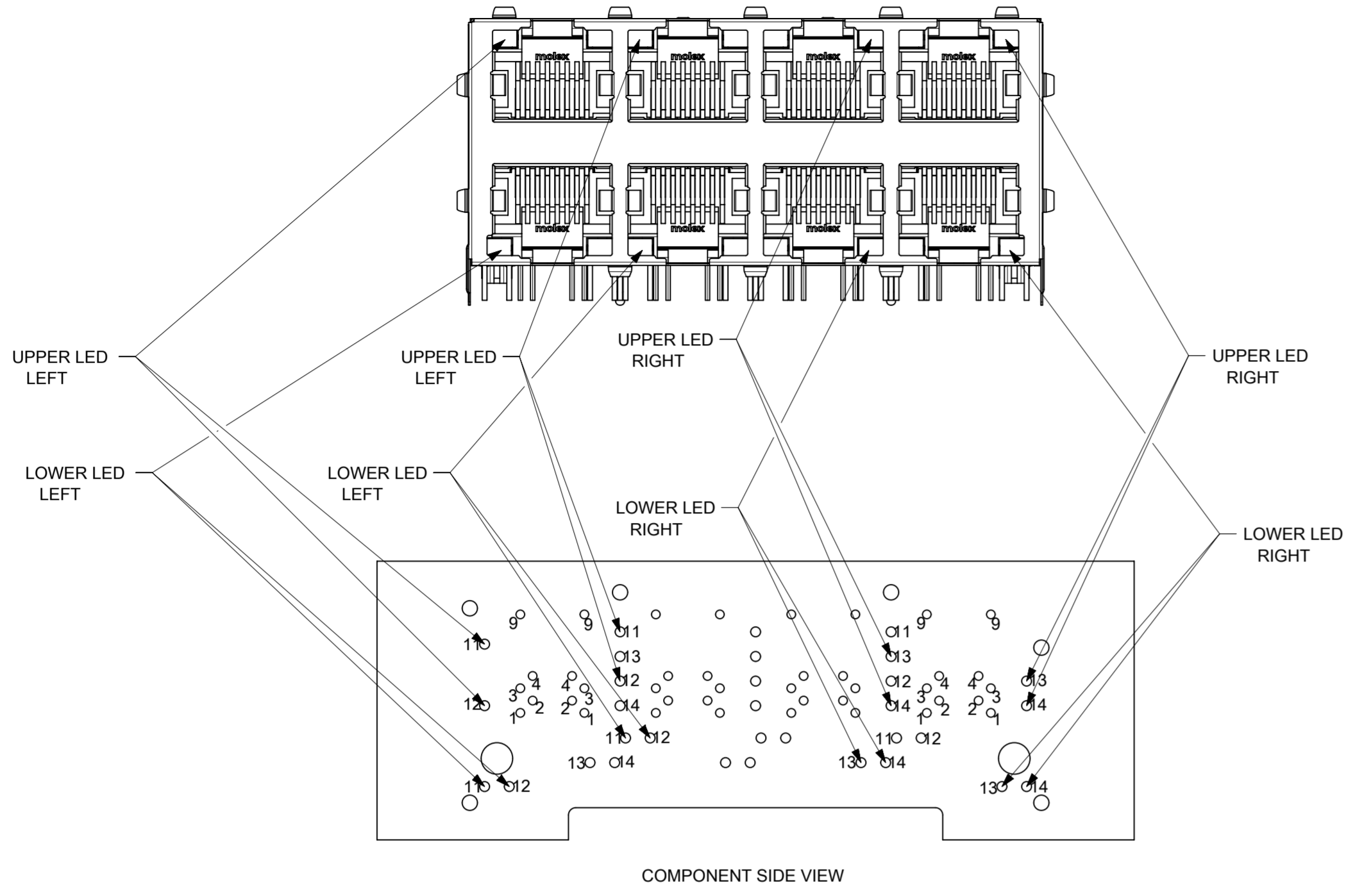
SYMBOLS		THIS DRAWING CONTAINS INFORMATION THAT IS PROPRIETARY TO MOLEX ELECTRONIC TECHNOLOGIES, LLC AND SHOULD NOT BE USED WITHOUT WRITTEN PERMISSION	
DIMENSION UNITS	SCALE	CURRENT REV DESC: SEE REV CHART	
$\nabla$ = 0	mm	2:1	
$\nabla$ = 0	GENERAL TOLERANCES (UNLESS SPECIFIED)		
$\nabla$ = 0	ANGULAR TOL $\pm$ 0.5°		
$\nabla$ = 0	4 PLACES	$\pm$	
$\nabla$ = 0	3 PLACES	$\pm$	
$\nabla$ = 0	2 PLACES	$\pm$ 0.25	
$\nabla$ = 0	1 PLACE	$\pm$ 0.5	
$\nabla$ = 0	0 PLACES	$\pm$	
$\nabla$ = 0	DRAFT WHERE APPLICABLE MUST REMAIN WITHIN DIMENSIONS		
$\nabla$ = 0	THIRD ANGLE PROJECTION	DRAWING	SERIES
		A2-SIZE	85727
		EC NO: 621505	
		DRWN: AFENG02	2019/07/29
		CHK'D: KLANG	2019/07/31
		APPR: KLANG	2019/07/31
		INITIAL REVISION:	
		DRWN: JBADER	2015/12/17
		APPR: SSTEINKE	2016/01/19
DOCUMENT NUMBER		DOC TYPE	DOC PART
SD-85727-705		PSD	001
MATERIAL NUMBER		CUSTOMER	SHEET NUMBER
		GENERAL MARKET	3 OF 4

**molex**

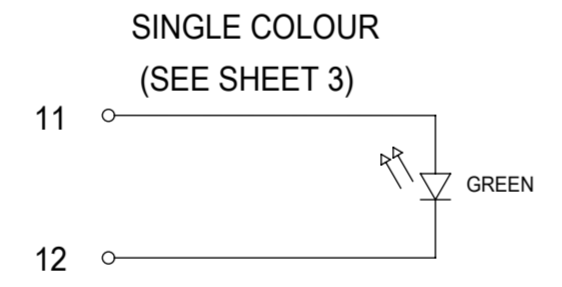
FAST ETHERNET  
MAGNETIC JACK GND ISOLATION 2X4 LED

PRODUCT CUSTOMER DRAWING

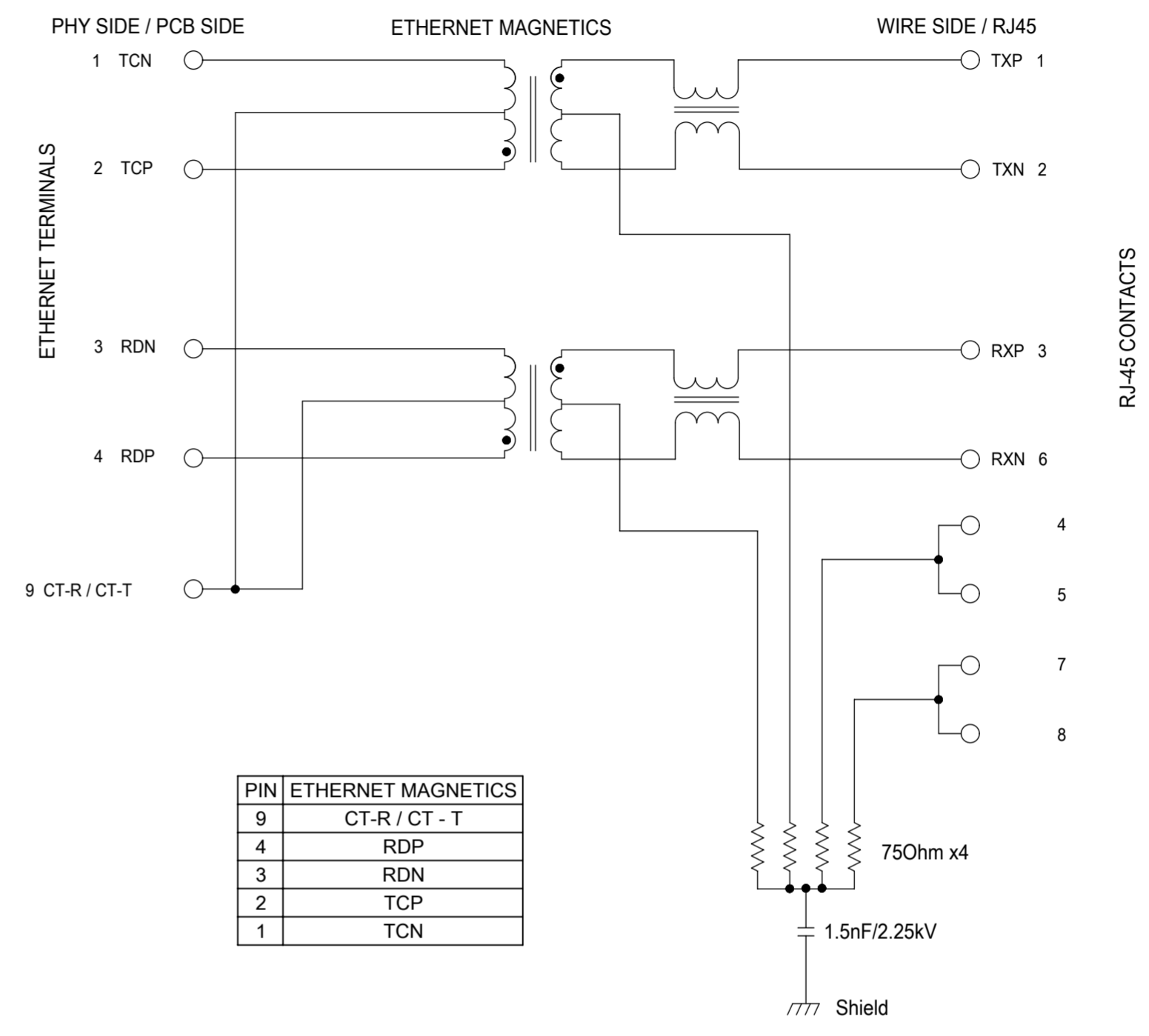
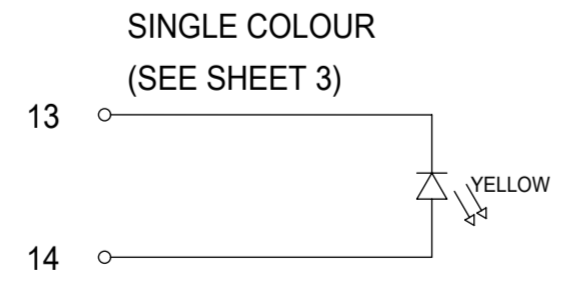
DOCUMENT STATUS	P1	RELEASE DATE	2019/07/31	15:02:26
-----------------	----	--------------	------------	----------



UPPER & LOWER LEFT LED	
PIN POSITION	GREEN
11	+
12	-



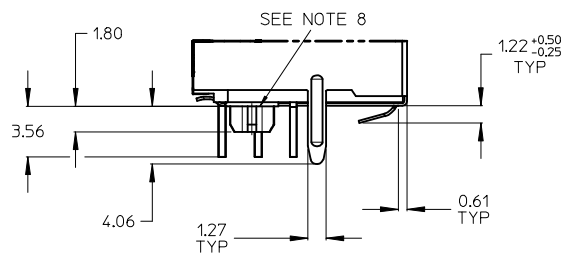
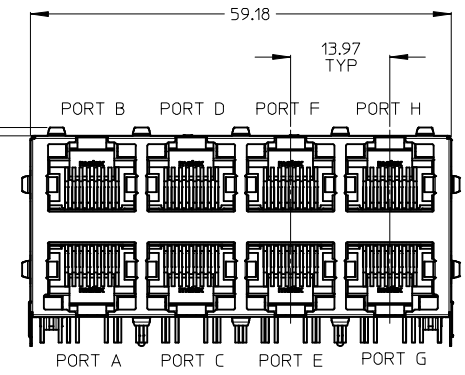
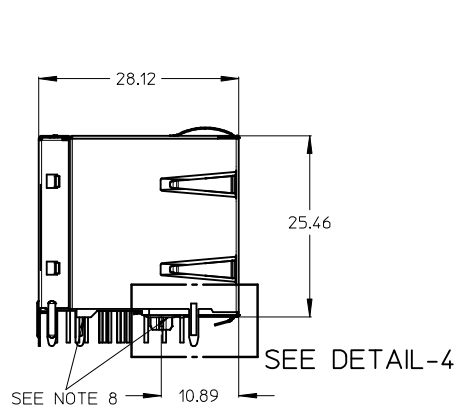
UPPER & LOWER RIGHT LED	
PIN POSITION	YELLOW
13	-
14	+



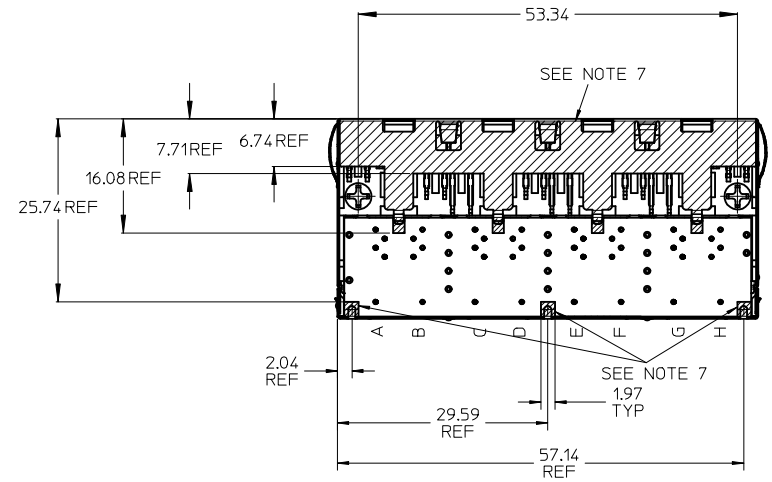
PIN	ETHERNET MAGNETICS
9	CT-R / CT - T
4	RDP
3	RDN
2	TCP
1	TCN

<b>SYMBOLS</b> ▽ = 0 ▽ = 0 ▽ = 0 ▽ = 0 ▽ = 0 ▽ = 0 ▽ = 0 ▽ = 0 ▽ = 0 ▽ = 0 ▽ = 0	THIS DRAWING CONTAINS INFORMATION THAT IS PROPRIETARY TO MOLEX ELECTRONIC TECHNOLOGIES, LLC AND SHOULD NOT BE USED WITHOUT WRITTEN PERMISSION		DIMENSION UNITS: <b>mm</b> SCALE: <b>2:1</b>		CURRENT REV DESC: SEE REV CHART				
	GENERAL TOLERANCES (UNLESS SPECIFIED) ANGULAR TOL ± 0.5°		EC NO: 621505 DRWN: AFENG02 2019/07/29 CHK'D: KLANG 2019/07/31 APPR: KLANG 2019/07/31		FAST ETHERNET MAGNETIC JACK GND ISOLATION 2X4 LED				
	4 PLACES ± 3 PLACES ± 2 PLACES ± 0.25 1 PLACE ± 0.5 0 PLACES ±		INITIAL REVISION: DRWN: JBADER 2015/12/17 APPR: SSTEINKE 2016/01/19		PRODUCT CUSTOMER DRAWING		DOCUMENT NUMBER: <b>SD-85727-705</b> DOC TYPE: PSD DOC PART: 001 REVISION: B2		
	DRAFT WHERE APPLICABLE MUST REMAIN WITHIN DIMENSIONS		THIRD ANGLE PROJECTION		DRAWING: <b>A2-SIZE</b> SERIES: <b>85727</b>		MATERIAL NUMBER: GENERAL MARKET CUSTOMER: GENERAL MARKET SHEET NUMBER: 4 OF 4		

# FAST ETHERNET MAGNETIC JACK 2x4 LED

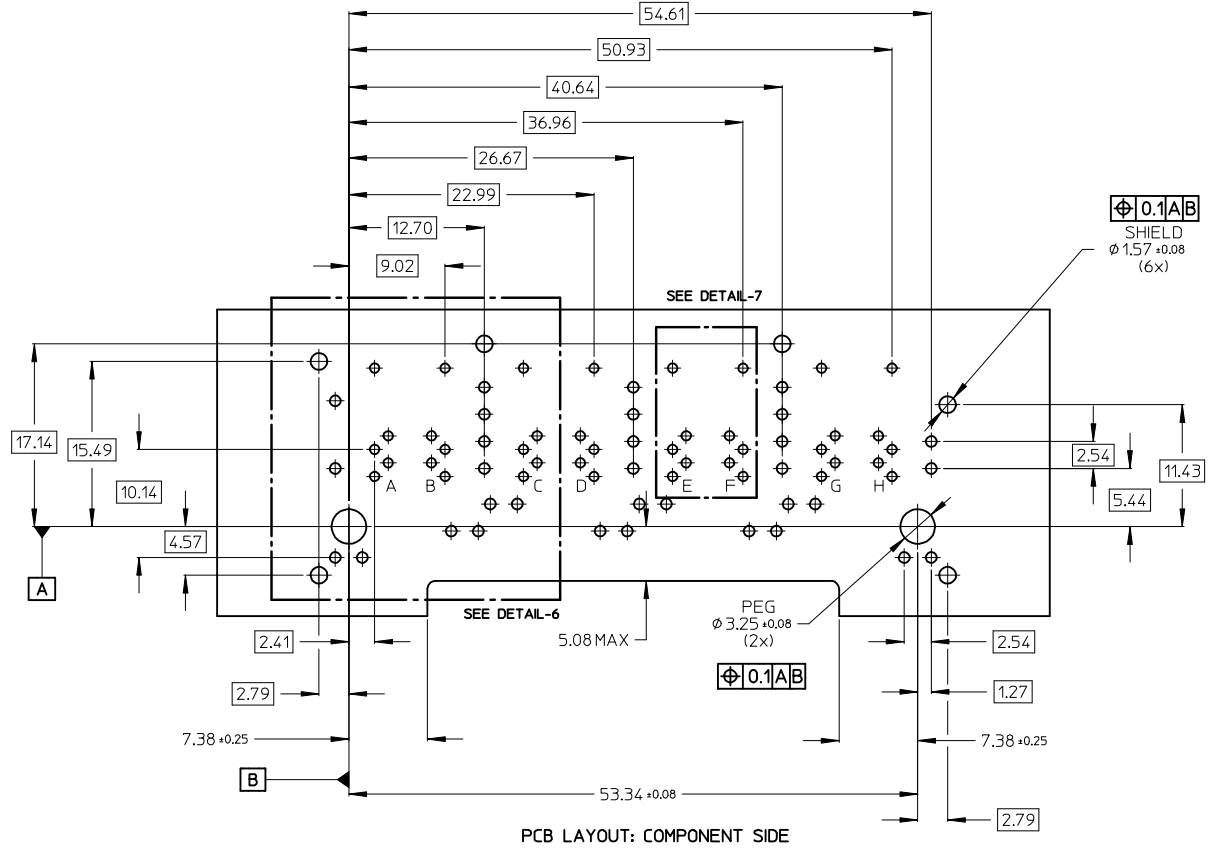
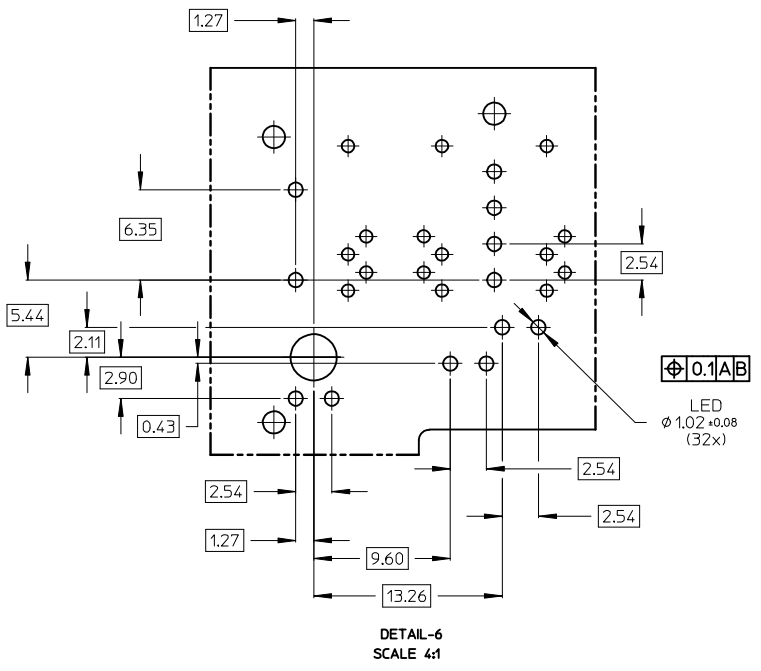
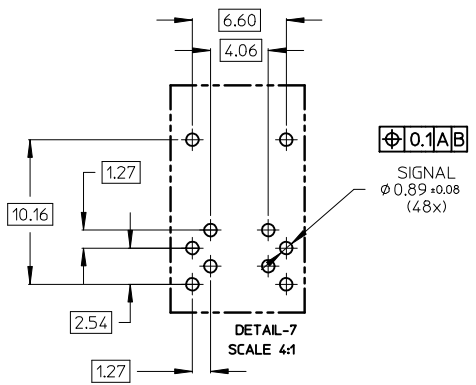


DETAIL-4  
SCALE 4:1

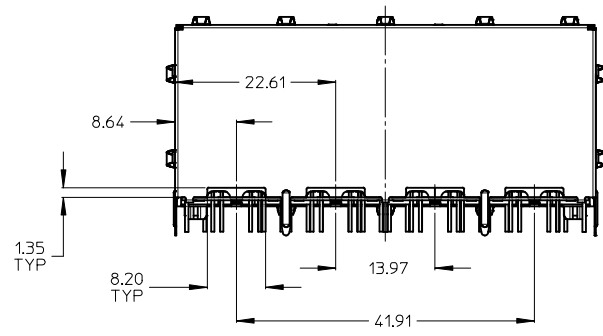
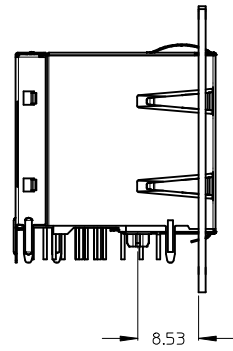
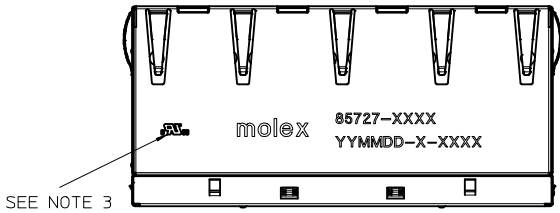
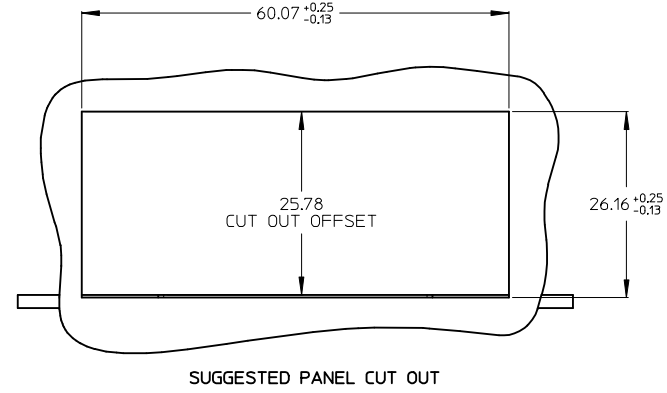
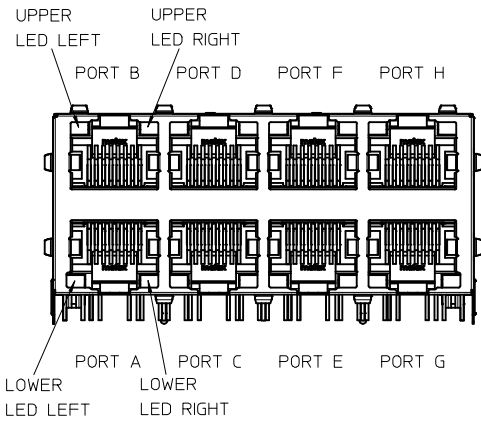


- NOTES:
- 1 - SHIELD MATERIAL: BRASS; PLATING: NICKEL PRE-PLATING
  - 2 - PLASTIC MATERIAL: POLYESTER (PBT)BLACK, 30%GR, UL 94V-0
  - 3 - RJ45 TERMINALS MATERIAL: COPPER ALLOY  
CONTACT AREA PLATING: 0.76 MICROMETER GOLD OVER 1.9 MICROMETER NICKEL  
PHY TERMINALS: TIN PLATED
  - 4 - MATING INTERFACE ACCORDING TO IEC 60603-7
  - 5 - PRODUCT SPECIFICATION: PS-85727-001  
FOR FURTHER INFORMATION ON MAGNETICS AND LED FUNCTION REFER TO THIS SPECIFICATION
  - 6 - PACKAGING SPECIFICATION: PK-85727-001
  - 7 - TRACES WITHOUT INSULATION NOT ALLOWED IN THE DASHED AREAS.  
(TO AVOID SHORTS TO SHIELD)
  - 8 - STAND OFF TO SYSTEM BOARD

NEW PRODUCT EC NO: 2014/02/03 DRWN:MMANGARUDOV 2014/02/03 CHKD:JBADER 2014/03/28 APPR:SSTEINKE 2016/04/21	QUALITY SYMBOLS	GENERAL TOLERANCES (UNLESS SPECIFIED)		DIMENSION STYLE	SCALE	DESIGN UNITS	THIRD ANGLE PROJECTION
	▽=0	mm	INCH	MM ONLY	2:1	METRIC	
	▽=0	4 PLACES ±---	±---	DRAWN BY	DATE	TITLE	
		3 PLACES ±---	±---	MMANGARUDOV	2014/02/03	FAST ETHERNET MAGNETIC JACK GND ISOLATION 2X4 LED	
	2 PLACES ±0.25	±---	CHECKED BY	DATE			
	1 PLACE ±0.5	±---	JBADER	2014/02/20			
	0 PLACE ±---	±---	APPROVED BY	DATE			
			SSTEINKE	2016/04/21			
		ANGULAR ±.5°	MATERIAL NO.	DOCUMENT NO.			
		DRAFT WHERE APPLICABLE MUST REMAIN WITHIN DIMENSIONS	SEE SHEET 3	SD-85727-708			
			SIZE A2	THIS DRAWING CONTAINS INFORMATION THAT IS PROPRIETARY TO MOLEX INCORPORATED AND SHOULD NOT BE USED WITHOUT WRITTEN PERMISSION			SHEET NO. 1 OF 4



NEW PRODUCT EC NO: A DRAWN: MMANGARUDOV 2014/02/03 CHKD: JBADER 2014/03/28 APPR: SSTE INKE 2016/04/21	DESCRIPTION	QUALITY SYMBOLS	GENERAL TOLERANCES (UNLESS SPECIFIED)	DIMENSION STYLE	SCALE	DESIGN UNITS	THIRD ANGLE PROJECTION	
		▽=0		MM ONLY	3:1	METRIC	⊙	
		▽=0						
			ANGULAR ± .5 °	DRAWN BY: MMANGARUDOV	DATE: 2014/02/03	TITLE: FAST ETHERNET MAGNETIC JACK GND ISOLATION 2X4 LED		
			DRAFT WHERE APPLICABLE MUST REMAIN WITHIN DIMENSIONS	CHECKED BY: JBADER	DATE: 2014/02/20	DOCUMENT NO. SD-85727-708		
				APPROVED BY: SSTE INKE	DATE: 2016/04/21	SHEET NO. 2 OF 4		
				MATERIAL NO. SEE SHEET 3		THIS DRAWING CONTAINS INFORMATION THAT IS PROPRIETARY TO MOLEX INCORPORATED AND SHOULD NOT BE USED WITHOUT WRITTEN PERMISSION		

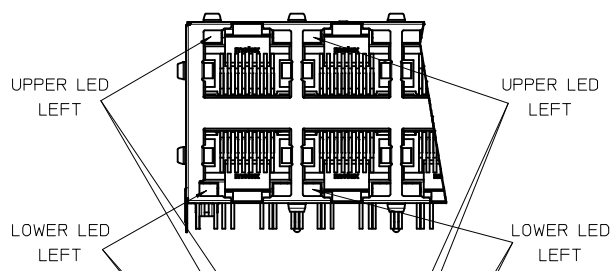


PART NUMBER	UPPER & LOWER LED LEFT	UPPER & LOWER LED RIGHT
85727-7008	GREEN	GREEN
0°C~+70°C	YELLOW	YELLOW
85727-7108	GREEN	GREEN
-40°C~+85°C	YELLOW	YELLOW

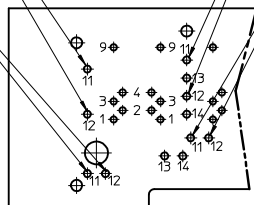
ADDITIONAL LED COLOURS AND CONFIGURATIONS AVAILABLE ON REQUEST

- NOTED:  
 1 - PRINTING MARKED BY LASER  
 2 - INSCRIPTION:  
 1st LINE: PART NUMBER  
 2nd LINE: DATE CODE (YEAR,MONTH,DAY) - MANUFACTURER ID - COSECUTIVE NUMBER  
 3 - UL LOGO

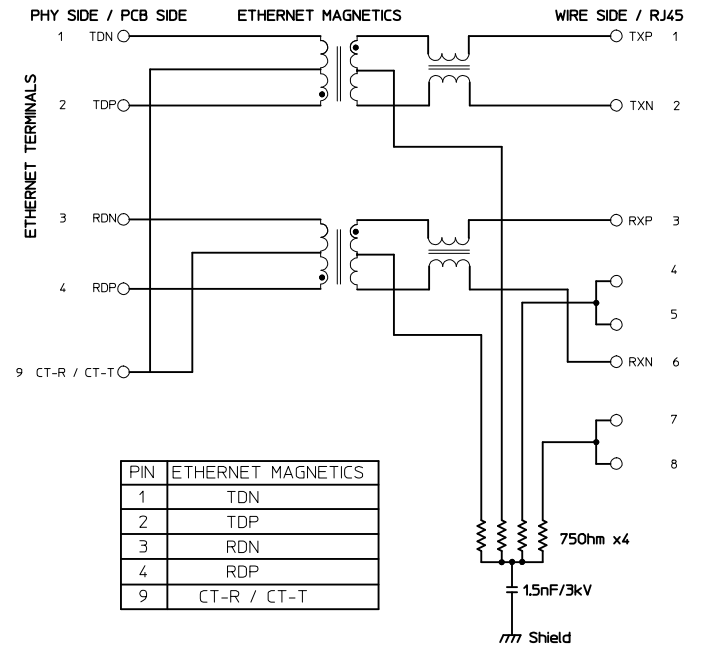
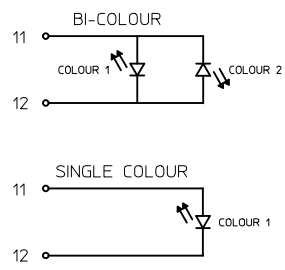
NEW PRODUCT EC NO: A DRAWN: MMANGARUDOV 2014/02/03 CHKD: JBADER 2014/03/28 APPR: SSTEINKE 2016/04/21	QUALITY SYMBOLS ▽=0 ▽=0	GENERAL TOLERANCES (UNLESS SPECIFIED)	DIMENSION STYLE MM ONLY	SCALE 2:1	DESIGN UNITS METRIC	THIRD ANGLE PROJECTION
		m/m    INCH	DRAWN BY    DATE	TITLE	FAST ETHERNET MAGNETIC JACK GND ISOLATION 2X4 LED	
		4 PLACES ± --- ± ---	MMANGARUDOV 2014/02/03	CHECKED BY    DATE	moLEX	
		3 PLACES ± --- ± ---	JBADER 2014/02/20	APPROVED BY    DATE		
	1 PLACE ± 0.5 ± ---	SSTEINKE 2016/04/21	MATERIAL NO.	DOCUMENT NO.	SHEET NO. 3 OF 4	
	0 PLACE ± --- ± ---	ANGULAR ± .5 °	SEE BOM		SD-85727-708	
		DRAFT WHERE APPLICABLE MUST REMAIN WITHIN DIMENSIONS	THIS DRAWING CONTAINS INFORMATION THAT IS PROPRIETARY TO MOLEX INCORPORATED AND SHOULD NOT BE USED WITHOUT WRITTEN PERMISSION			



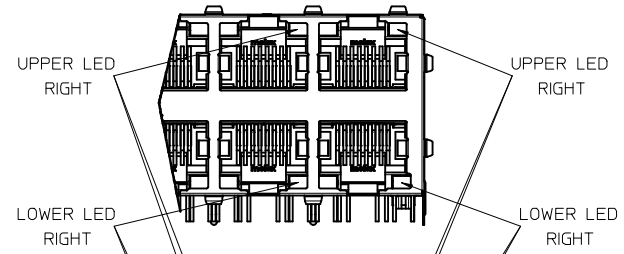
UPPER & LOWER LEFT LED		
PIN POSITION	COLOUR 1	COLOUR 2
11	+	-
12	-	+



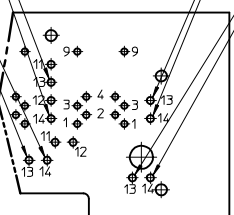
COMPONENT VIEW



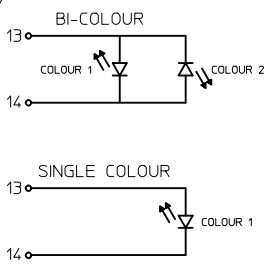
PIN	ETHERNET MAGNETICS
1	TDN
2	TDP
3	RDN
4	RDP
9	CT-R / CT-T



UPPER & LOWER RIGHT LED		
PIN POSITION	COLOUR 1	COLOUR 2
13	+	-
14	-	+



COMPONENT VIEW



<b>NEW PRODUCT</b> EC NO: 2014/02/03 DRAWN: MMANGARUDOV CHKD: JBADER APPR: SSTEINKE DATE: 2014/03/28 DATE: 2016/04/21	QUALITY SYMBOLS ▽=0 ▽=0	GENERAL TOLERANCES (UNLESS SPECIFIED)		DIMENSION STYLE <b>MM ONLY</b>	SCALE <b>2:1</b>	DESIGN UNITS <b>METRIC</b>	THIRD ANGLE PROJECTION	
		4 PLACES ± --- ± --- 3 PLACES ± --- ± --- 2 PLACES ± 0.25 ± --- 1 PLACE ± 0.5 ± --- 0 PLACE ± --- ± ---	mm INCH DRAWN BY: MMANGARUDOV DATE: 2014/02/03 CHECKED BY: JBADER DATE: 2014/02/20 APPROVED BY: SSTEINKE DATE: 2016/04/21	TITLE <b>FAST ETHERNET MAGNETIC JACK GND ISOLATION 2X4 LED</b>	MATERIAL NO. <b>SEE SHEET 3</b>	DOCUMENT NO. <b>SD-85727-708</b>	SHEET NO. <b>4 OF 4</b>	
		ANGULAR ± .5 °		DRAFT WHERE APPLICABLE MUST REMAIN WITHIN DIMENSIONS		THIS DRAWING CONTAINS INFORMATION THAT IS PROPRIETARY TO MOLEX INCORPORATED AND SHOULD NOT BE USED WITHOUT WRITTEN PERMISSION		
		FAST ETHERNET MAGNETIC JACK GND ISOLATION 2X4 LED <b>molex</b>						