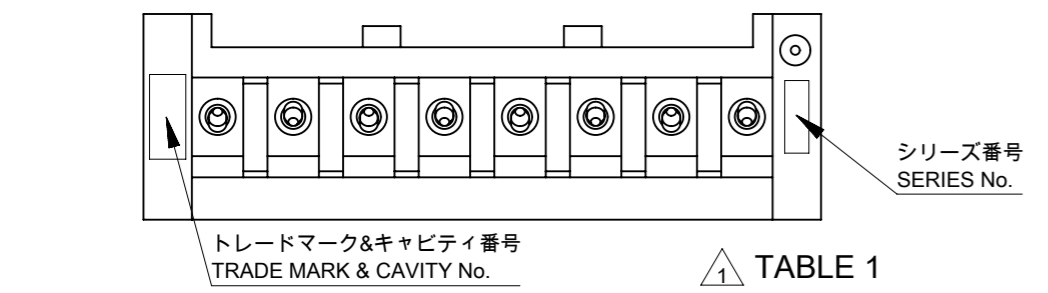


NOTES

- ① 材料及び仕上げ(めっき仕様) : TABLE 1参照
MATERIAL AND FINISHES : SEE TABLE 1
- 2. 製品仕様書 : 511630000-PS 000
PRODUCT SPECIFICATION:511630000-PS 000
- 3. 梱包仕様書 : 535179200-SPK 200
PACKAGING SPECIFICATION: 535179200-SPK 200
- 4. 嵌合相手 : 51163 シリーズ
MATES WITH:51163 SERIES
- 5. アプリケーション仕様書(コネクタ取扱い説明書) : 2166940000-AS PS 000
APPLICATION SPECIFICATION(CONNECTOR MANUAL) : 2166940000-AS PS 000
- ⑥ 偶数極に適合
APPLY FOR EVEN CIRCUIT
- 7. GLOW WIRE TEST適合品
THIS PRODUCT IS GLOW WIRE TEST COMPATIBLE.

			HOUSING COLOR	
			NATURAL(BEIGE)	
38.2	35	39.9	535171530	15
35.7	32.5	37.4	535171430	14
33.2	30	34.9	535171330	13
30.7	27.5	32.4	535171230	12
28.2	25	29.9	535171130	11
25.7	22.5	27.4	535171030	10
23.2	20.0	24.9	535170930	9
20.7	17.5	22.4	535170830	8
18.2	15.0	19.9	535170730	7
15.7	12.5	17.4	535170630	6
13.2	10.0	14.9	535170530	5
10.7	7.5	12.4	535170430	4
8.2	5.0	9.9	535170330	3
5.7	2.5	7.4	535170230	2
C	B	A	発注番号 ORDER No. 梱包形態 : トレイ PACKAGE:TRAY	極数 CIRCUIT SIZE

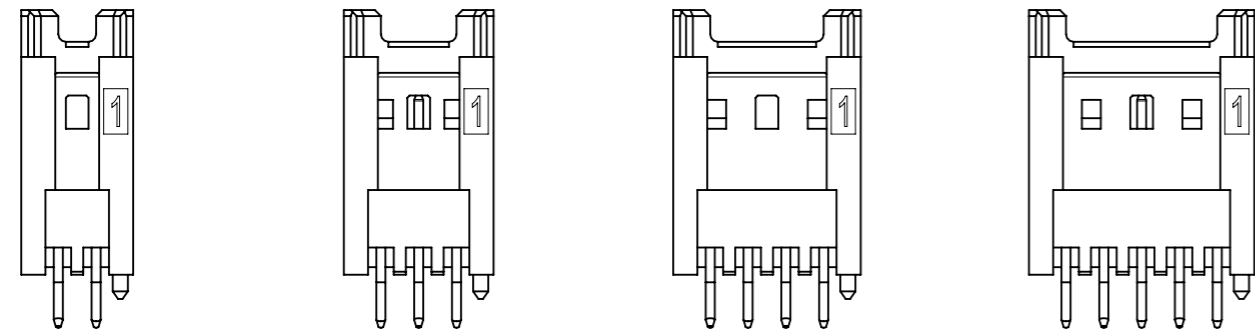


部品 PART	材料 MATERIAL
① プラグハウジング PLUG HOUSING	ポリアミド,ガラス含有,UL94V-0,色 : ナチュラル(ベージュ) POLYAMIDE(PA),GLASS FILLED,UL94V-0,COLOR:NATURAL(BEIGE)
② プラグピン PLUG PIN	りん青銅 PHOSPHOR BRONZE
	錫めっき : 1.0MICRO METER MINIMUM. MATTE TIN PLATING : 1.0MICRO METER MINIMUM.
	銅めっき(下地めっき) : 0.5MICRO METER MINIMUM COPPER PLATING(UNDER PLATING) : 0.5MICRO METER MINIMUM

THIS DRAWING CONTAINS INFORMATION THAT IS PROPRIETARY TO MOLEX ELECTRONIC TECHNOLOGIES, LLC AND SHOULD NOT BE USED WITHOUT WRITTEN PERMISSION

DIMENSION UNITS	SCALE	CURRENT REV DESC:	
mm	NTS		
GENERAL TOLERANCES (UNLESS SPECIFIED)		EC NO: 650566	
ANGULAR TOL	± 3.0°	DRWN: RWATANABE01	2020/11/09
4 PLACES	±	CHK'D: AIDA	2020/12/18
3 PLACES	±	APPR: SAKIYAMA	2020/12/18
2 PLACES	± 0.2	INITIAL REVISION:	
1 PLACE	± 0.2	DRWN: RWATANABE01	2018/03/14
0 PLACES	± 0.2	APPR: TKANEKO	2018/09/10
DRAFT WHERE APPLICABLE MUST REMAIN WITHIN DIMENSIONS	THIRD ANGLE PROJECTION	DRAWING	SERIES
		A3-SIZE	53517

DOCUMENT NUMBER	DOC TYPE	DOC PART	REVISION
535170000-SD	PSD	001	D
MATERIAL NUMBER	CUSTOMER	SHEET NUMBER	
	GENERAL	1 OF 2	



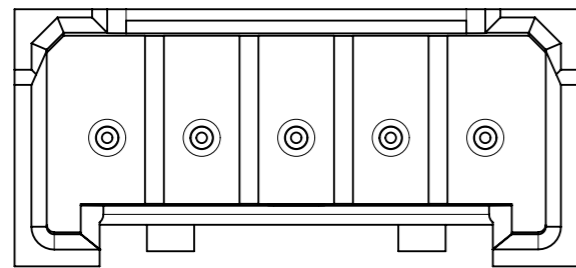
2CIRCUIT

3CIRCUIT

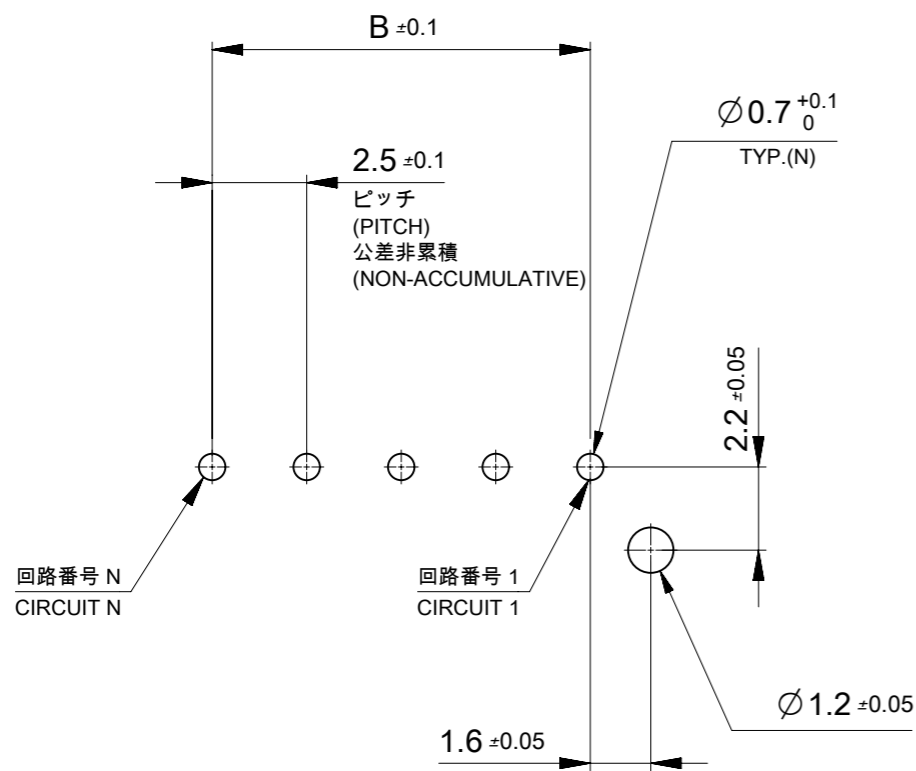
4CIRCUIT

5-15CIRCUIT

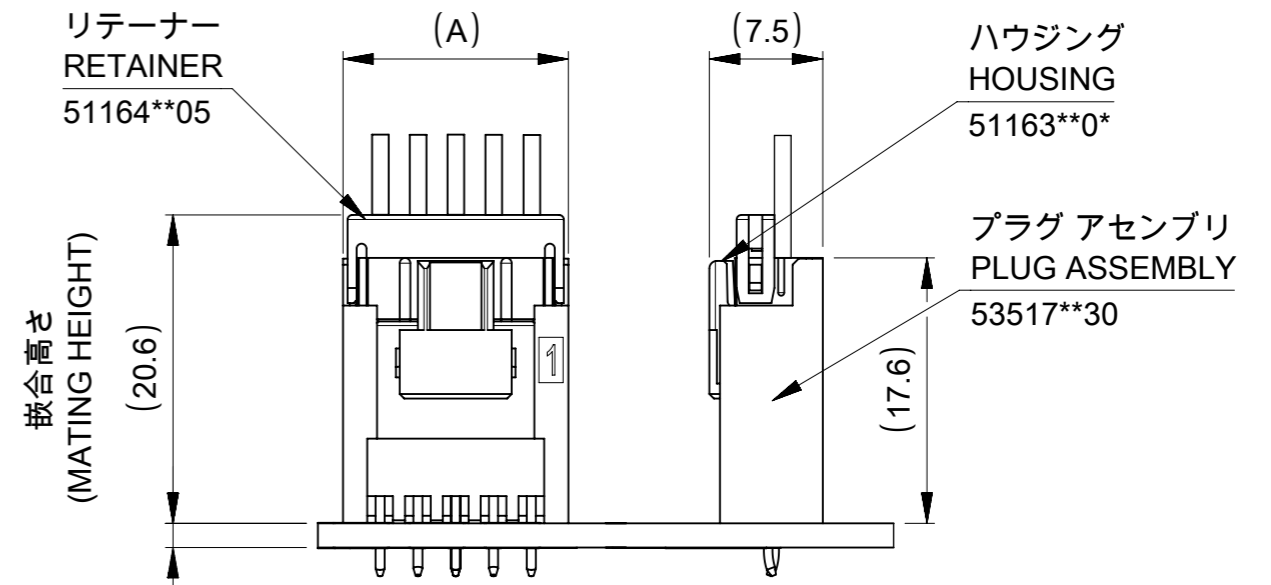
ロック形状図
LOCK CONFIGURATION



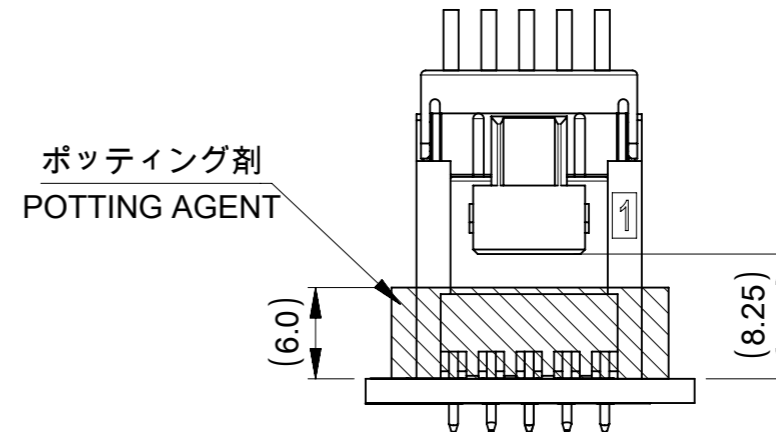
製品レイアウト
PRODUCT LAYOUT



基板取付穴推奨寸法(マウント面)
RECOMMENDED PCB HOLE DIMENSION
(MOUNTING SIDE), (t=1.6)



嵌合状態図
MATED CONNECTORS



参考ポッティング高さ
POTTING HEIGHT (REFERENCE)

THIS DRAWING CONTAINS INFORMATION THAT IS PROPRIETARY TO MOLEX ELECTRONIC TECHNOLOGIES, LLC AND SHOULD NOT BE USED WITHOUT WRITTEN PERMISSION									
DIMENSION UNITS		SCALE		CURRENT REV DESC:					
mm		NTS							
GENERAL TOLERANCES (UNLESS SPECIFIED)				EC NO: 650566					
ANGULAR TOL ± 3.0°				4 PLACES ±		DRWN: RWATANABE01		2020/11/09	
				3 PLACES ±		CHK'D: AIDA		2020/12/18	
				2 PLACES ± 0.2		APPR: SAKIYAMA		2020/12/18	
				1 PLACE ± 0.2		INITIAL REVISION:			
				0 PLACES ± 0.2		DRWN: RWATANABE01		2018/03/14	
						APPR: TKANEKO		2018/09/10	
DRAFT WHERE APPLICABLE MUST REMAIN WITHIN DIMENSIONS				THIRD ANGLE PROJECTION		DRAWING		SERIES	
				A3-SIZE		53517			
				MATERIAL NUMBER		CUSTOMER		SHEET NUMBER	
				535170000-SD		GENERAL		2 OF 2	