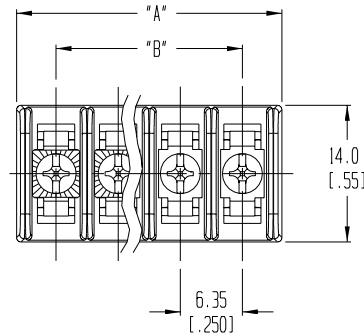
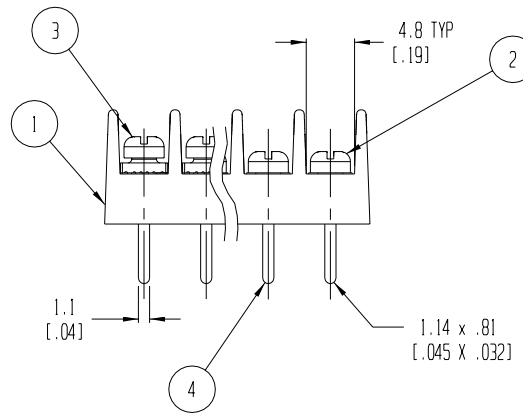


| MATERIAL NO. (-C-W OPTION) | MATERIAL NO. (INSULATOR) | MATERIAL NO. (-50 OPTION) | # OF CIRC. "XX" | "A" | "B" |
|----------------------------|--------------------------|---------------------------|-----------------|--------------|--------------|
| 386106302 | 386182535 | 386107502 | 2 | 14.5 (.57) | 6.4 (.25) |
| 386106303 | 386182536 | 386107503 | 3 | 20.8 (.82) | 12.7 (.50) |
| 386106304 | 386182537 | 386107504 | 4 | 27.2 (1.07) | 19.1 (.75) |
| 386106305 | 386182538 | 386107505 | 5 | 33.5 (1.32) | 25.4 (1.00) |
| 386106306 | 386182539 | 386107506 | 6 | 39.9 (1.57) | 31.8 (1.25) |
| 386106307 | 386182540 | 386107507 | 7 | 46.2 (1.82) | 38.1 (1.50) |
| 386106308 | 386182541 | 386107508 | 8 | 52.6 (2.07) | 44.5 (1.75) |
| 386106309 | 386182542 | 386107509 | 9 | 58.9 (2.32) | 50.8 (2.00) |
| 386106310 | 386182543 | 386107510 | 10 | 65.3 (2.57) | 57.2 (2.25) |
| 386106311 | 386182544 | 386107511 | 11 | 71.6 (2.82) | 63.5 (2.50) |
| 386106312 | 386182545 | 386107512 | 12 | 78.0 (3.07) | 69.9 (2.75) |
| 386106313 | 386182546 | 386107513 | 13 | 84.3 (3.32) | 76.2 (3.00) |
| 386106314 | 386182547 | 386107514 | 14 | 90.7 (3.57) | 82.6 (3.25) |
| 386106315 | 386182548 | 386107515 | 15 | 97.0 (3.82) | 88.9 (3.50) |
| 386106316 | 386182549 | 386107516 | 16 | 103.4 (4.07) | 95.3 (3.75) |
| 386106317 | 386182550 | 386107517 | 17 | 109.7 (4.32) | 101.6 (4.00) |
| 386106318 | 386182551 | 386107518 | 18 | 116.1 (4.57) | 108.0 (4.25) |
| 386106319 | 386182552 | 386107519 | 19 | 122.4 (4.82) | 114.3 (4.50) |
| 386106320 | 386182553 | 386107520 | 20 | 128.8 (5.07) | 120.7 (4.75) |
| 386106321 | 386182554 | 386107521 | 21 | 135.1 (5.32) | 127.0 (5.00) |
| 386106322 | 386182555 | 386107522 | 22 | 141.5 (5.57) | 133.4 (5.25) |
| 386106323 | 386182556 | 386107523 | 23 | 147.8 (5.82) | 139.7 (5.50) |
| 386106324 | 386182557 | 386107524 | 24 | 154.2 (6.07) | 146.1 (5.75) |
| 386106325 | 386182558 | 386107525 | 25 | 160.5 (6.32) | 152.4 (6.00) |
| 386106326 | 386182559 | 386107526 | 26 | 166.9 (6.57) | 158.8 (6.25) |
| 386106327 | 386182560 | 386107527 | 27 | 173.2 (6.82) | 165.1 (6.50) |
| 386106328 | 386182561 | 386107528 | 28 | 179.6 (7.07) | 171.5 (6.75) |
| 386106329 | 386182562 | 386107529 | 29 | 185.9 (7.32) | 177.8 (7.00) |
| 386106330 | 386182563 | 386107530 | 30 | 192.3 (7.57) | 184.2 (7.25) |
| 386106331 | 386182564 | 386107531 | 31 | 198.6 (7.82) | 190.5 (7.50) |
| 386106332 | 386182565 | 386107532 | 32 | 205.0 (8.07) | 196.9 (7.75) |



4 CIRCUIT SHOWN



NOTES:

1. MATERIAL: SEE TABLE
2. FINISHES: SEE TABLE
3. PRODUCT SPECIFICATION: NOT REQUIRED
4. INCH DIMS ARE SHOWN IN PARENTHESIS (XXX)
5. "XX" REFERS TO NUMBER OF CIRCUITS

| 4 | XX | TERMINAL, STYLE 5 | 380021131 | 6104-2711-A260 |
|------|------|--------------------------|--------------|-----------------|
| 3 | XX | SCREW & WASHER (-50 OPT) | 380010141 | 6004-9201-C220 |
| 2 | XX | SCREW (STD.) | 380010138 | 6004-9101-A120 |
| 1 | 1 | BARRIER TERMINAL STRIP | SEE CHART | 6103-XX01-V000 |
| ITEM | QTY. | DESCRIPTION | MATERIAL NO. | ENGINEERING NO. |

| | | | | | | |
|--|---|--|---------------------------------|--|---|---|
| EC NO. RELEASED DRWN: WH 10-22-03 CHK: _____ APPR: _____ A | QUALITY SYMBOLS MAJOR = CRITICAL = SPC = | GENERAL TOLERANCES: (UNLESS SPECIFIED) mm INCH 4 PLACES ±.0015 3 PLACES ±.038 ±.005 2 PLACES ±.13 ±.01 1 PLACE ±.3 | | SCALE 2:1 DESIGN UNITS <input type="checkbox"/> mm <input checked="" type="checkbox"/> INCH | THIRD ANGLE PROJECTION | PROJECT NO. - DIMENSIONS: <input checked="" type="checkbox"/> mm <input type="checkbox"/> INCH <input type="checkbox"/> mm ONLY SHT 1 REV - REVISE ON CAD ONLY |
| | | DRAWN BY & DATE W. HOWARD 10-22-03 CHECKED BY & DATE APPROVED BY & DATE | TITLE: 61 SERIES BTS PC ASSY | | CAD FILENAME 615XX-C-W MATERIAL NO. SEE CHART DRAWING NO. E-615XX-C-W SHEET NO. 1 OF 1 SIZE B | |
| DRAFT WHERE APPLICABLE MUST REMAIN WITHIN DIMENSIONS THIS DRAWING CONTAINS INFORMATION THAT IS PROPRIETARY TO MOLEX INCORPORATED AND SHOULD NOT BE USED WITHOUT WRITTEN PERMISSION. | | | | | | |