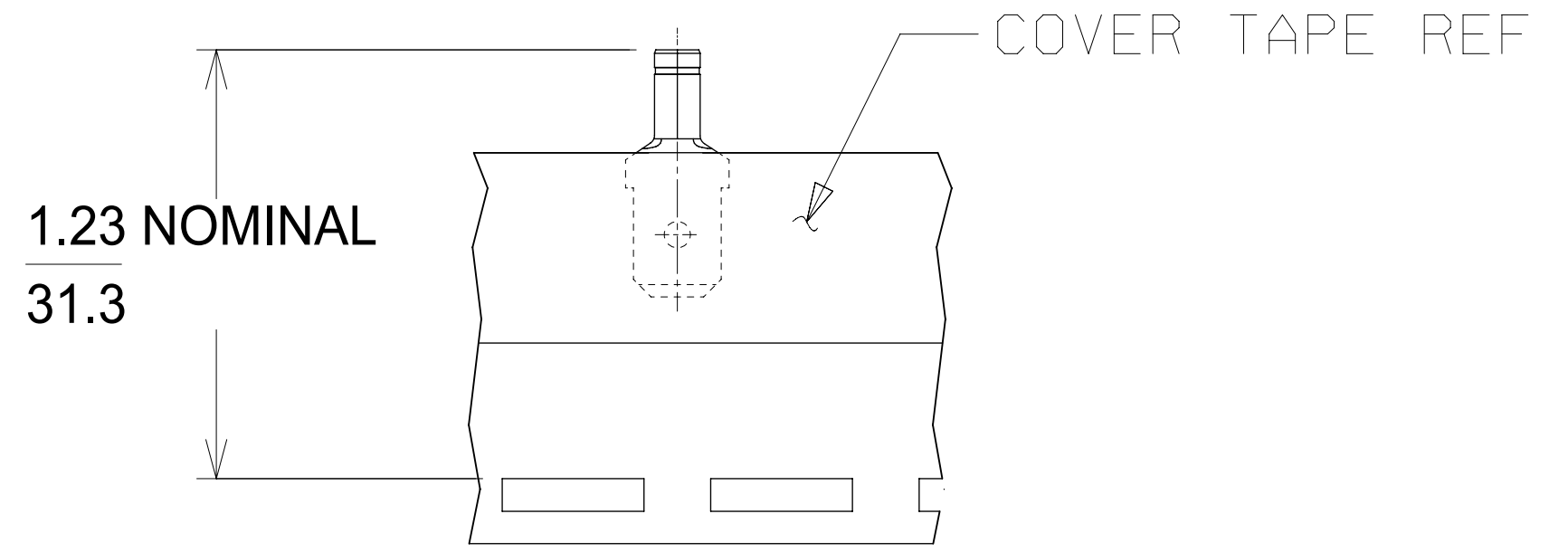
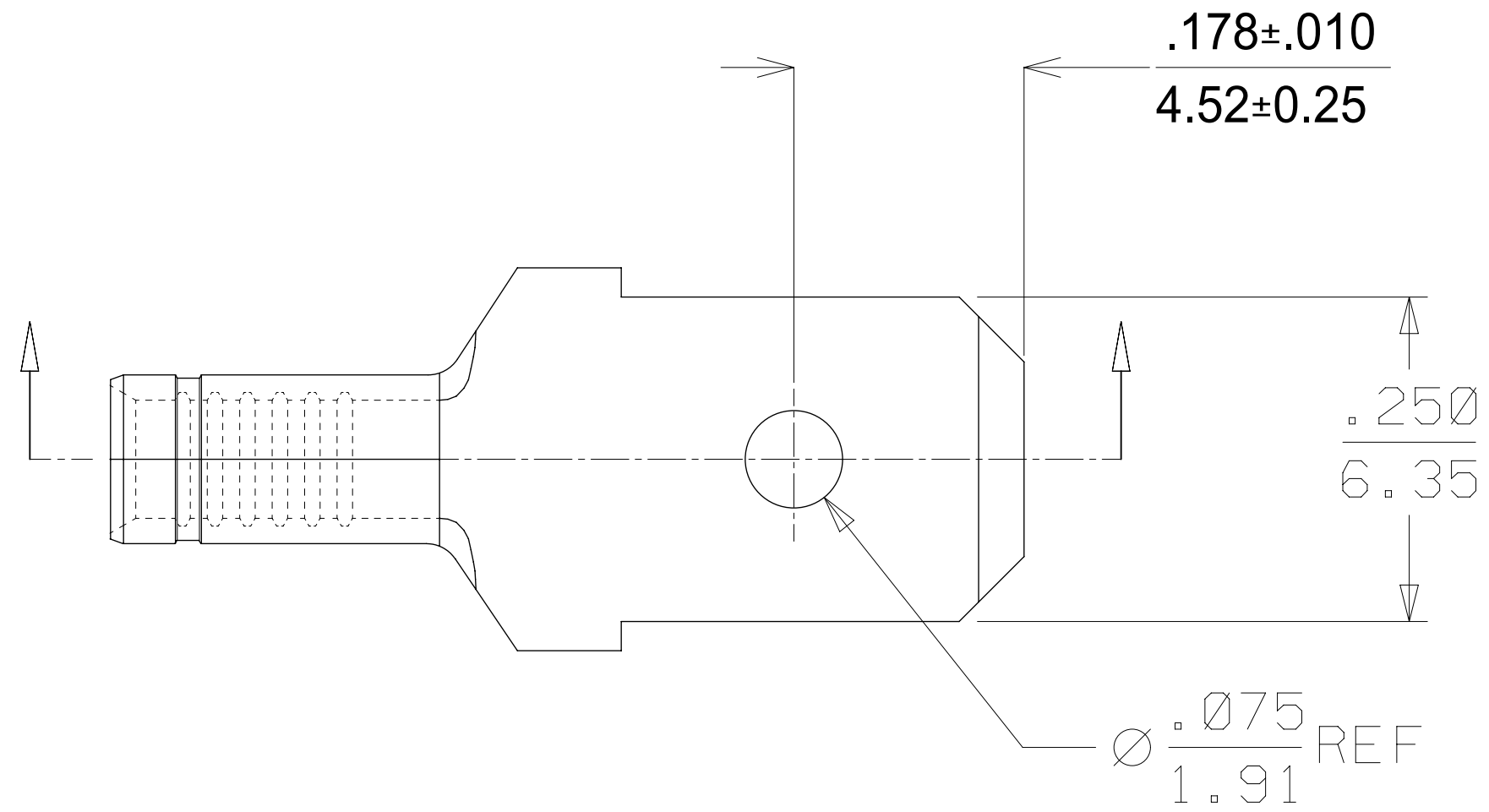
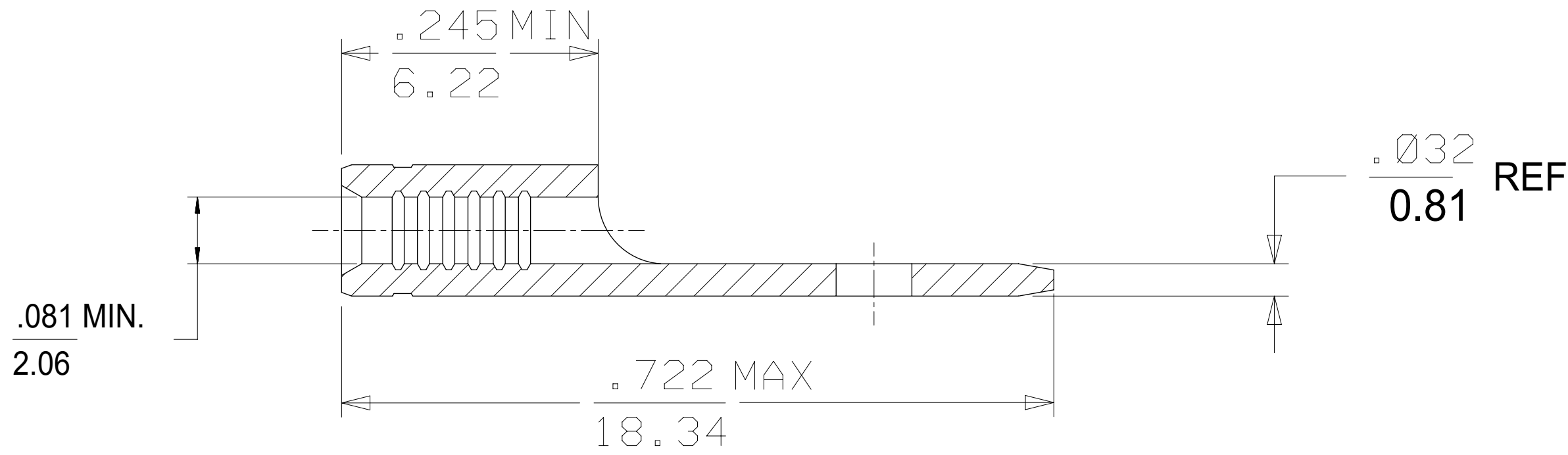


MATERIAL NO.	ENGINEERING NO.	DESCRIPTION
190220018	MCT-1	ZINC CHROMATE PLATED
190220026	MCT-1T	ZINC CHROMATE PLATED, TAPE MOUNTED



TAPE MOUNTING LOCATION FOR 190220026, MCT-1T



SALES DRAWING

- NOTES:
1. MATERIAL: BRASS
 2. FINISH: SEE CHART
 3. WIRE SIZE: 16-14 AWG (1.23-1.94 mm²)
 4. TAB DIMENSIONS CONFORM TO UL310 SPECIFICATIONS.
 5. PART IS ROHS COMPLIANT.

THIS DRAWING CONTAINS INFORMATION THAT IS PROPRIETARY TO MOLEX ELECTRONIC TECHNOLOGIES, LLC AND SHOULD NOT BE USED WITHOUT WRITTEN PERMISSION												
DIMENSION UNITS IN/MM		SCALE 4:1		CURRENT REV DESC: REMOVED OBSOLETE PART NUMBER AS PER PCN#509989.				molex				
GENERAL TOLERANCES (UNLESS SPECIFIED)				EC NO: 708673								
		MM	INCH	DRWN: SANTHN 2022/05/25				MALE CONNECTOR TERMINAL .250 X .032 TAB KRIMPTITE				
4 PLACES		±	±	CHK'D: GGA 2022/06/22								
3 PLACES		±	± 0.005	APPR: GGA 2022/06/22				PRODUCT CUSTOMER DRAWING				
2 PLACES		± 0.13	± 0.01	INITIAL REVISION:				DOCUMENT NUMBER		DOC TYPE	DOC PART	REVISION
1 PLACE		± 0.25	±	DRWN: R. STONE 2007/08/14				SD-19022-011		PSD	001	B1
0 PLACES		±	±	APPR: J. MACNEIL 2007/08/16				MATERIAL NUMBER		CUSTOMER		SHEET NUMBER
ANGULAR TOL		± 0.5 °		THIRD ANGLE PROJECTION		DRAWING	SERIES	SEE CHART	GENERAL MARKET		1 OF 1	
DRAFT WHERE APPLICABLE MUST REMAIN WITHIN DIMENSIONS				C-SIZE		19022						