

AZ DISPLAYS

SPECIFICATIONS FOR HDMI BOARD

CUSTOMER APPROVAL			
※ PART NO.: <u>ZEDH 40PIN A SERIES HDMI BOARD</u>			
APPROVAL		COMPANY CHOP	
CUSTOMER COMMENTS			

AZ DISPLAYS ENGINEERING APPROVAL		
DESIGNED BY	CHECKED BY	APPROVED BY

A-----	OverView-----	page 4
B-----	Features-----	page 4
C-----	Application diagram-----	page 4
D-----	Power Consumption-----	page 4
E-----	Power Input-----	page 4
F-----	Outline Drawing-----	page 5
G-----	Connector Interface-----	page 6
H-----	Connector Define-----	page 7
I-----	P/N Description-----	page 8

A. Overview:

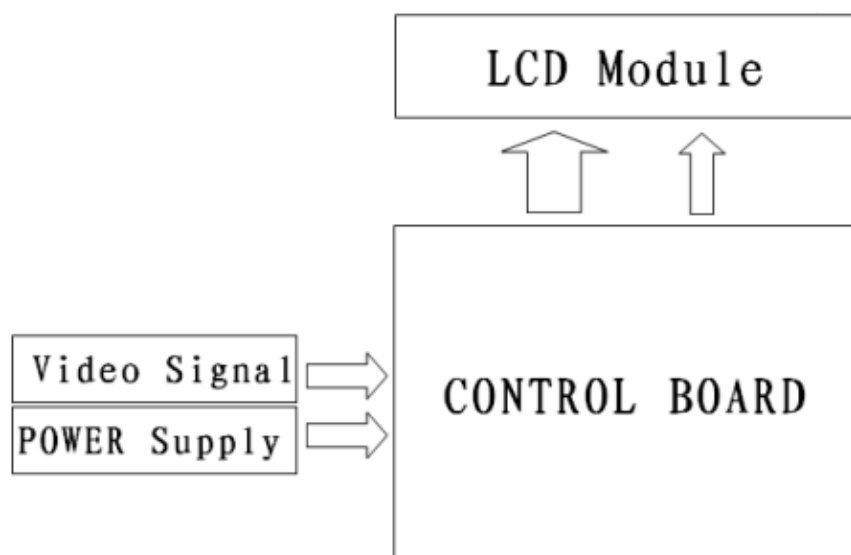
The ZEDH 40pin A series HDMI driver board is an LCD control board designed for a series digital TFT LCD modules. It can receive 1 channel HDMI input with a 5V single power supply.

To drive different LCM, the board has different components and firmware inside, please refer to the final page for the supported LCM part number.

B. Features:

- Single power supply: +5V
- Work Temperature: 0°C~+ 70 °C.
- HDMI Support resolutions: 720x576_50I, 720x576_50P, 720x480_60I, 720x480_60P.

C. Application diagram:



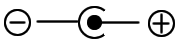
D. Power Consumption

Condition	Current Consumption			Unit
	Min	Typ	Max	
Vin = 5V		TBD	TBD	mA

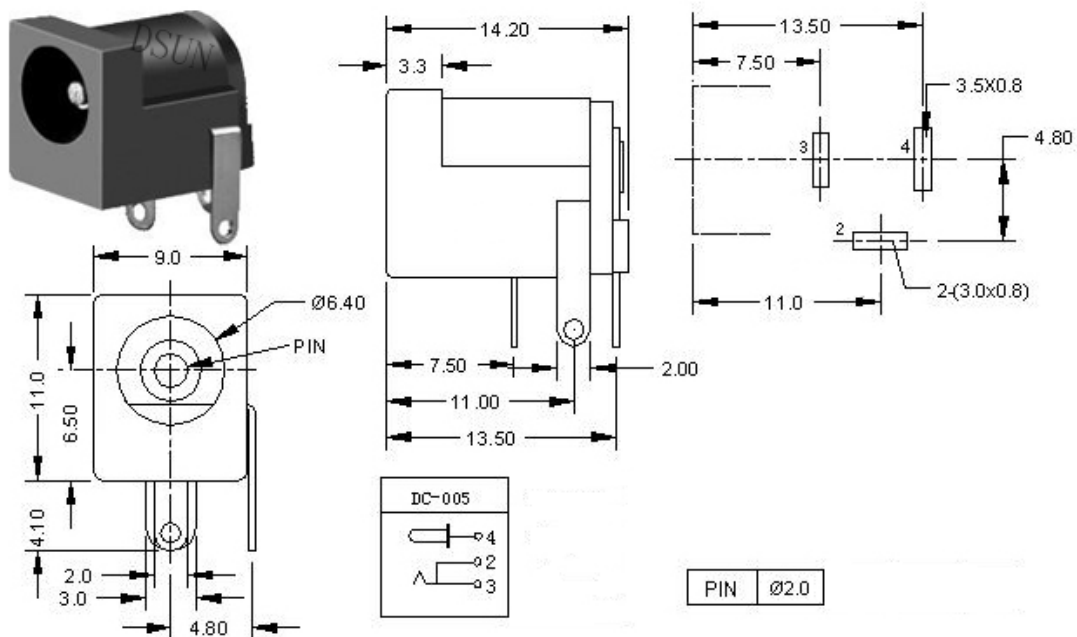
E. Power Input

Condition	Current Consumption			Unit
	Min	Typ	Max	
	4.8	5.0	5.2	V

G. Connector interface description:

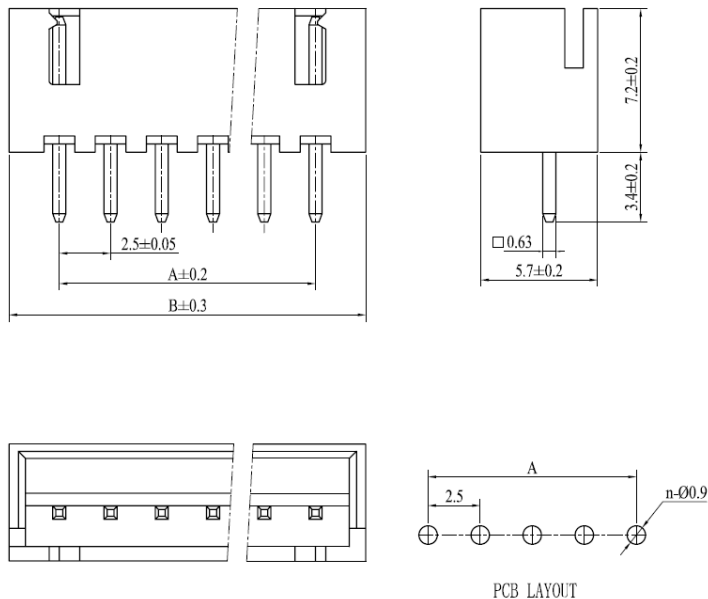
Connector Number	Connector Description	Pin Number	Definition
A	POWER	1	+5V
		2	GND
B	LCM		
C	HDMI		
D	DC JACK Power		
E	Micro USB power		

Dimensions of DC JACK D:



Dimensions of power input connector A(XH-2A):

POLES	PART NO	DIMENSIONS(mm)	
		A	B
2	XH-2A	2.5	7.5
3	XH-3A	5.0	10.0
4	XH-4A	7.5	12.5
5	XH-5A	10.0	15.0
6	XH-6A	12.5	17.5
7	XH-7A	15.0	20.0
8	XH-8A	17.5	22.5
9	XH-9A	20.0	25.0
10	XH-10A	22.5	27.5
11	XH-11A	25.0	30.0
12	XH-12A	27.5	32.5
13	XH-13A	30.0	35.0
14	XH-14A	32.5	37.5
15	XH-15A	35.0	40.0



H. Connector For LCM:

Pin No.	Symbol	Function	Level	Note
1	VLED-	Power for LED backlight(Cathode)	P	
2	VLED+	Power for LED backlight(Anode)	P	
3	GND	Ground	P	
4	VDD	Power supply	P	
5~12	R0~R7	Red data	I	
13~20	G0~G7	Green data	I	
21~28	B0~B7	Blue data	I	
29	GND	Ground	P	
30	CLK	Pixel clock	I	
31	DISP	Display On/Off	I	
32	HSYNC	Horizontal sync input in RGB mode(short to GND if not used)	--	
33	VSYNC	Horizontal sync input in RGB mode(short to GND if not used)	--	
34	DE	Data enable	I	
35	NC	No connection	--	
36	GND	Ground	P	
37~40	NC	No connection	--	

I. P/N DESCRIPTION

ZEDH0430D12B

XXXX:	LCM series
XXXX:	LCM size
H:	HDMI input
D:	Driver board
ZE:	ZETTLER

Available P/N:

ZEDH0430D12 / ZEDH0430D12B / ZEDH0430D12M

ZEDH043D35 / ZEDH0430D35B / ZEDH0430D35M

ZEDH0430D40

ZEDH0430D44

ZEDH0430D48 (480*272 IPS, LCM will be released on December 2019)

ZEDH0500D21

ZEDH0500D19E / ZEDH0500D19H / ZEDH0500D19

ZEDH0500D27

ZEDH0700D38B