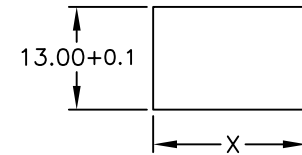
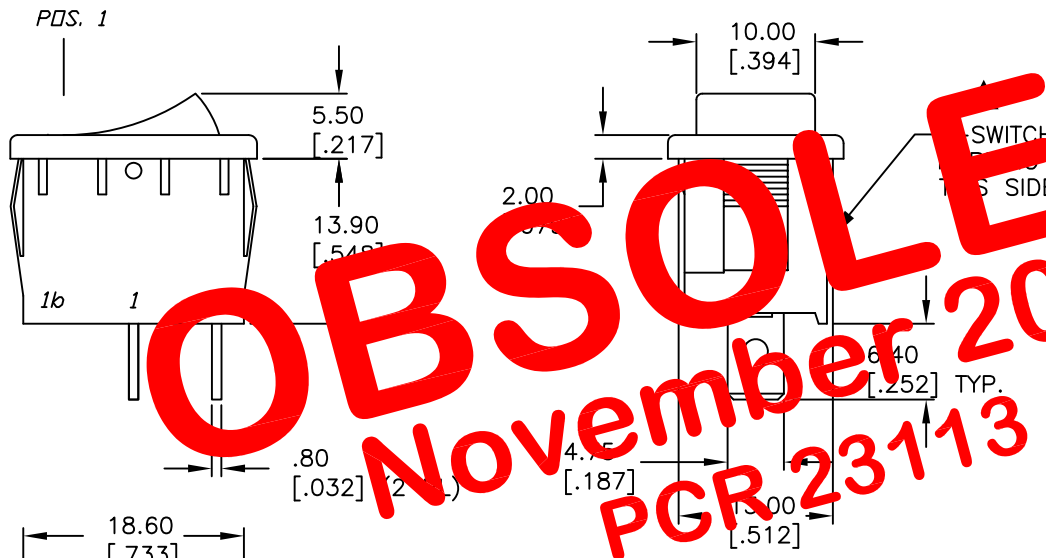


PANEL THICKNESS		X dimension	
0.75-1.25	[.030-.049]	19.2-0.1	[.756]
1.25-2.0	[.049-.079]	19.4-0.1	[.764]
2.0-3.0	[.079-.118]	19.8-0.1	[.780]

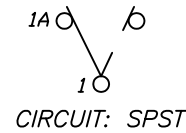


PANEL CUTOUT
NOT TO SCALE

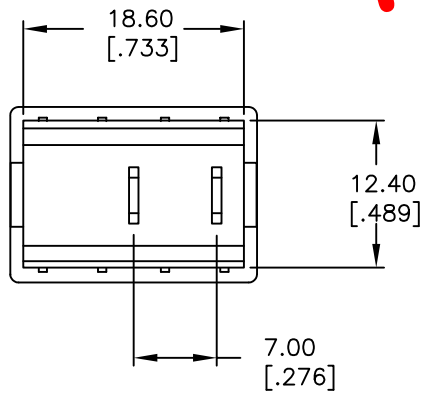


SWITCH FUNCTION	
POS. 1	POS. 2
ON	(OFF)
1-1a	OPEN

() = MOMENTARY



OBSOLETE
 November 2017
 PCR 23113



NOTES:

- ALL DIMENSIONS IN MM [INCH]
- GENERAL TOLERANCE: X.X=±0.4
X.XX=±0.25
- TERMINAL NUMBERS FOR REF ONLY
- RATING: 15A @ 125VAC OR
6A @ 250VAC
- MATERIALS: TERMINALS: Silver Plated Copper Alloy
CONTACTS: Coin Silver, Silver Plated
- ELECTRIC LIFE: 10,000 cycles
- CONTACT RESISTANCE: <20 Mega Ω
- INSULATION RESISTANCE: >1000 Mega Ω
- DIELECTRIC STRENGTH: >1500 V 1 minute
>3000 V between poles

E-SWITCH®

TITLE		R1966E BLK BLK AF			
SCALE	DATE	DR	DWG	REV	
1.5:1	9/24/01	CB	M305206	A	

A	11673	RELEASED FOR PRODUCTION	9/24/01	CJB
REV.	ECN No.	DESCRIPTION	DATE	CHKD
THE INFORMATION CONTAINED IN THIS DOCUMENT IS PROPRIETARY TO E-SWITCH AND IS NOT TO BE COPIED OR TRANSFERRED				