

Product Change Notice (PCN)

Date: **12/29/2022**

PCN Number: **PCN-0451182R-01**

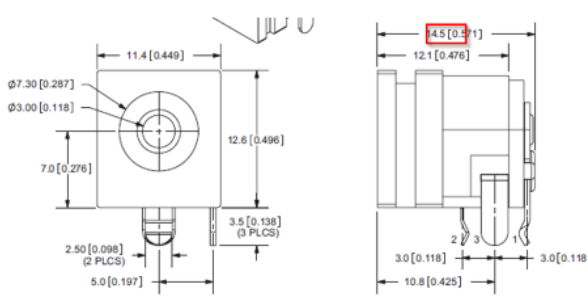
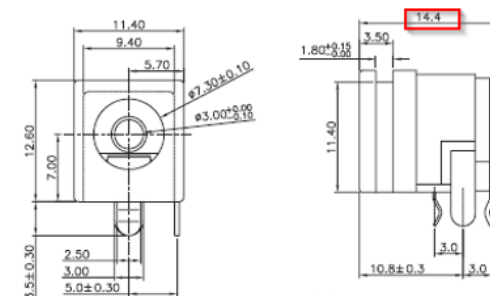
To Our Customers:

We appreciate your use of our products. Our commitment in maintaining and improving processes is demonstrated by plans to enhance our product quality, reliability, and manufacturability. The purpose of this notice is to inform you of a product change.

Product(s) Affected: **PJ-048H**

Reason(s) for Change: **Manufacturing process improvements**

Description of Change: **Minor Housing and footprint differences. Material Change on the housing and terminals. See image Below**

PREVIOUS CUI DEVICES DETAIL / IMAGE	NEW CUI DEVICES DETAIL / IMAGE																																							
																																								
<table border="1"> <thead> <tr> <th></th> <th>MATERIAL</th> <th>PLATING</th> </tr> </thead> <tbody> <tr> <td>center pin</td> <td>copper</td> <td>nickel plated</td> </tr> <tr> <td>terminal 1</td> <td>brass</td> <td>silver plated</td> </tr> <tr> <td>terminal 2</td> <td>copper alloy</td> <td>silver plated</td> </tr> <tr> <td>terminal 3</td> <td>brass</td> <td>silver plated</td> </tr> <tr> <td>plastic</td> <td>PBT</td> <td></td> </tr> </tbody> </table>		MATERIAL	PLATING	center pin	copper	nickel plated	terminal 1	brass	silver plated	terminal 2	copper alloy	silver plated	terminal 3	brass	silver plated	plastic	PBT		<table border="1"> <thead> <tr> <th>DESCRIPTION</th> <th>MATERIAL</th> <th>PLATING</th> </tr> </thead> <tbody> <tr> <td>center pin</td> <td>brass</td> <td>nickel</td> </tr> <tr> <td>terminal 1</td> <td>brass t-0.50</td> <td>silver</td> </tr> <tr> <td>terminal 2</td> <td>bronze t-0.30</td> <td>silver</td> </tr> <tr> <td>terminal 3</td> <td>brass t-0.50</td> <td>silver</td> </tr> <tr> <td>housing</td> <td>PBT (UL94V-0)</td> <td>black</td> </tr> <tr> <td>cover</td> <td>PBT (UL94V-0)</td> <td>black</td> </tr> </tbody> </table>	DESCRIPTION	MATERIAL	PLATING	center pin	brass	nickel	terminal 1	brass t-0.50	silver	terminal 2	bronze t-0.30	silver	terminal 3	brass t-0.50	silver	housing	PBT (UL94V-0)	black	cover	PBT (UL94V-0)	black
	MATERIAL	PLATING																																						
center pin	copper	nickel plated																																						
terminal 1	brass	silver plated																																						
terminal 2	copper alloy	silver plated																																						
terminal 3	brass	silver plated																																						
plastic	PBT																																							
DESCRIPTION	MATERIAL	PLATING																																						
center pin	brass	nickel																																						
terminal 1	brass t-0.50	silver																																						
terminal 2	bronze t-0.30	silver																																						
terminal 3	brass t-0.50	silver																																						
housing	PBT (UL94V-0)	black																																						
cover	PBT (UL94V-0)	black																																						



Affected Date Code: *11/15/2022*

Product Availability: *Pertaining to market availability*

PCN Approval:

Operations/Quality

A handwritten signature in black ink, appearing to read "Robert Garcia", is written over a horizontal line.

Product Management

A handwritten signature in black ink is written over a horizontal line. The signature is partially obscured by a light grey rectangular box.