

THIS DRAWING IS UNPUBLISHED. RELEASED FOR PUBLICATION  
 © COPYRIGHT - By - ALL RIGHTS RESERVED.

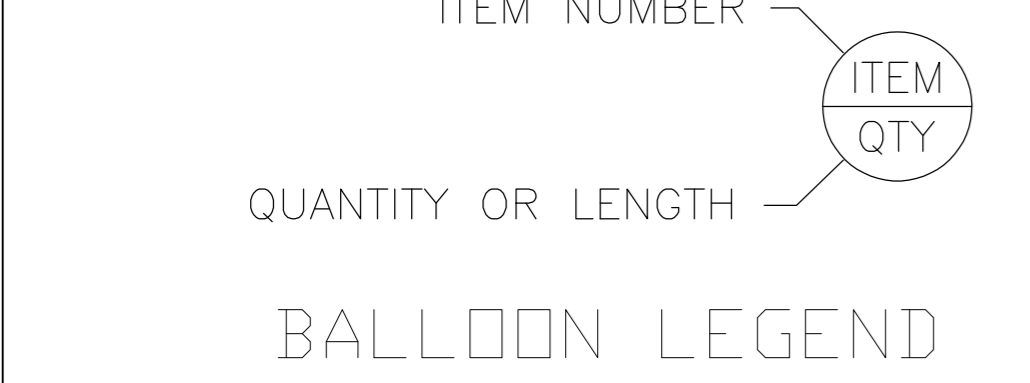
LOC		DIST		REVISIONS			
A	00	P	LTR	DESCRIPTION	DATE	DWN	APVD
		A		RELEASED	27FEB2014	MY	RK

PART NUMBER	REV	FIRST USED
1481262-1	A	-

1. REPLACES DOUBLE SIDED TIMING BELTS ON RIGHT SIDE ONLY OF UNIT.
2. REPLACES IDLER PULLY BEARINGS ON UPPER CHAMBER REAR, NEW PULLY MOUNTING BLOCK.
3. CONNECTS UPPER LEFT AND RIGHT SIDE BELTS FOR POSITIVE DRIVE FROM LEFT SIDE TIMEING BELTS.
4. REPLACES UPPER REAR IDLER PULLEYS, KEYED TO DRIVE SHAFT.
5. REPLACES STANDARD HEATERS, ADDITIONAL MOUNTING HOLES ALSO REQUIRED.
6. REPLACES STANDARD HEATERS, ADDITIONAL MOUNTING HOLES ALSO REQUIRED.
7. SPARE PART APPLIES TO SS VERSION ONLY P/N 1-1200141-3.
8. SPARE PART APPLIES TO 6" VERSION ONLY P/N 1190562-8.
9. SPARE PART APPLIES TO STANDARD VERSION ONLY P/N 6-1195592-4.
10. A RING TERMINAL KIT IS AVAILABLE FOR ALL UNITS, THE P/N FOR THIS KIT IS 108277-000.
11. FOR THE 6" VERSION (1190562-8) A KIT IS AVAILABLE FOR MODIFYING THE PROCESSOR TO ACCEPT 6" HEATING ELEMENTS THE PART NUMBER FOR THIS KIT IS 295139-000.

1	-	E25750-000	UPPER HEATER ELEMENT 1.75	48
1	-	956470-000	LOWER HEATER ELEMENT 1.75	47
1	-	642514-000	UPPER DRIVE PULLEYS	46
1	-	645068-000	UPPER DRIVE SHAFT	45
1	-	802452-000	UPPER DRIVE SHAFT BALL BEARINGS	44
1	-	A72751-000	FLAT BELTS	43
1	-	649230-000	TIMER MODULE	42
1	-	165005-000	ON SWITCH ASSEMBLY	41
1	-	128877-000	OFF SWITCH ASSEMBLY	40
1	-	958053-000	ELEC SUBASSY, TRANSFORMER, 43 VA- M19 BELT HEATER	39
8	FT	611457-000	CABLE, HARMONIZED EUROPEAN RUBBER CORDAGE, 3C/14AWG (2.5 mm <sup>2</sup> ), 750V, BLK	38
1	-	641271-000	SOLID STATE RELAY, 24-330VAC, 50A OUTPUT, 4-20VDC INPUT, W/SAFETY COVER	37
1	-	514357-000	DIGITAL POTENTIOMETER, 3 DIGIT, 5K, 2 WATT, 0.1%	36
1	-	189813-000	BARRIER TERMINAL BOARD FOR KBMM	35
1	-	267479-000	HOREPOWER RESISTOR, 0.51 OHM, 5 WATT	34
1	-	146903-000	SCR MOTOR CONTROLLER W/ARMATURE FEEDBACK, 125 V 50/60 hZ INPUT (KBMM-125)	33
1	-	463715-000	TEMPERATURE CONTROLLER	32
1	-	812785-000	TIMER, DELAY ON BREAK, 20 MINUTE DELAY TIME, 1A, 120 VAC 50/60 Hz	31
1	-	384673-000	BI-METAL OVER EMPEATURE THERMAL SWITCH KIT	30
1	-	324201-000	SOLENOID, 13 WATT, 12 VDC, CONTINUOUS DUTY, DELTROL MODEL D-70	29
4	-	454165-000	FAN, BALL BEARING, 46 CFM, 12VDC, 3.15 x 3.15 x 0.98"	28
1	-	227805-000	PHOTO SENSOR, 24-240VAC 50/60 Hz, 12-240 VDC, RETROREFLECTIVE, SPDT OUTPUT	27
2	-	353155-000	RELAY, DPDT, 10A, 220VAC CONTACTS, 120 VAC 50/60 Hz COIL, VDE APPROVED	26
2	-	882465-000	RELAY, DPST, 25A, 220VAC CONTACTS, 110 VAC 50/60Hz COIL, VDE APPROVED	25
2	-	832785-000	RELAY, 4PDT, 10A, 220VAC CONTACTS, 120 VAC 50/60Hz COIL, VDE APPROVED	24
1	-	051731-000	PB OPERATOR, 22.5mm IEC, RED MUSHROOM HEAD, 2 POS. TWIST TO RELEASE	23
1	-	156817-000	FUSE, 1 1/4" x 1/4" GLASS TUBE, TIME DELAY, 250V, 3A	22
1	-	858515-000	FUSE, 1 1/4" x 1/4" GLASS TUBE, TIME DELAY, 250V, 1A	21
1	-	073117-000	FUSE, IEC 5x20mm, LOW BREAKING, TIME DELAY, 250V, 1A	20
1	-	919753-000	FUSE, IEC 5x20mm, LOW BREAKING, TIME DELAY, 250V, 3.15A	19
2	-	369517-000	FUSE HOLDER, IEC 5x20mm FUSES, 10A, 250VAC, 16A, 120VAC, VDE APPROVED	18
1	-	657123-000	TRANSFORMER, 300 VA-210, 230, 250V INPUT, 115 V OUTPUT, 50/60 Hz, VDE APPROVED	17
1	-	909813-000	LINE FILTER, 120/250 VAC, 20A, 50/60 Hz	16
1	-	150485-000	CIRCUIT BREAKER, 2 POLE, 20A, 250VAC, 50/60 Hz, UL, CSA, VDE APPROVED	15
1	-	295741-000	MAINTENCE MOUNTING PIN WITH BRACKET	14
2	-	309229-000	UPPER RAIL BACKING PAD WITH TAPE	13
4	-	861021-000	TIMING BELT- 60", 3/8" PITCH, 3/4" WIDTH- M19	12
1	-	646794-000	ENCODER WITHOUT MOTOR, NOT SHOWN	11
1	-	A04349-000	GEARMOTOR, 468:1, RT. ANGLE, DOUBLE SHAFT, 90VDC, 0.25A, 0.02HP MODEL HEDS-5600-E06 QUADRATURE W/ENCODER	10
1	-	369475-000	HEATER ELEMENT, QUAD TRACE IR, 6.00" x 14.12" x 0.81" 1580 W, 220 VAC	9
1	-	233183-000	HEATER ELEMENT, QUAD TRACE IR, 6.00" x 14.12" x 0.81" 1580 W, 220 VAC, W/TYPE K T/C	8
1	-	322965-000	HEATER ELEMENT, DOUBLE TRACE IR, 3.75" x 14.12" x 0.81", 1580 W, 220 VAC	7
1	-	501937-000	HEATER ELEMENT, DOUBLE TRACE IR, 3.75" x 14.12" x 0.81", 1580 W, 220 VAC, W/TYPE K T/C	6
1	-	839871-000	LOCKOUT GATE- M19	5
1	-	F61949-000	MOTOR MOUNTING BRACKET- M19	4
2	-	546137-000	PULLY, ALUM.- TIMING BELT, Ø4.78, 3/8" PITCH, 40 TOOTH, 1/2" HUB W/KEYWAY	3
6	-	841201-000	IDLER PULLY WITH BEARING INSTALLED	2
2	-	432237-000	LOWER BELT BACKING GUIDE	1

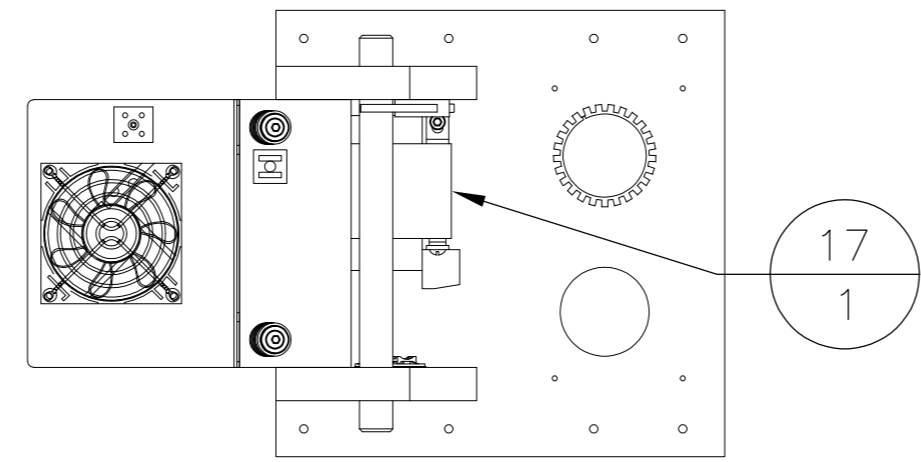
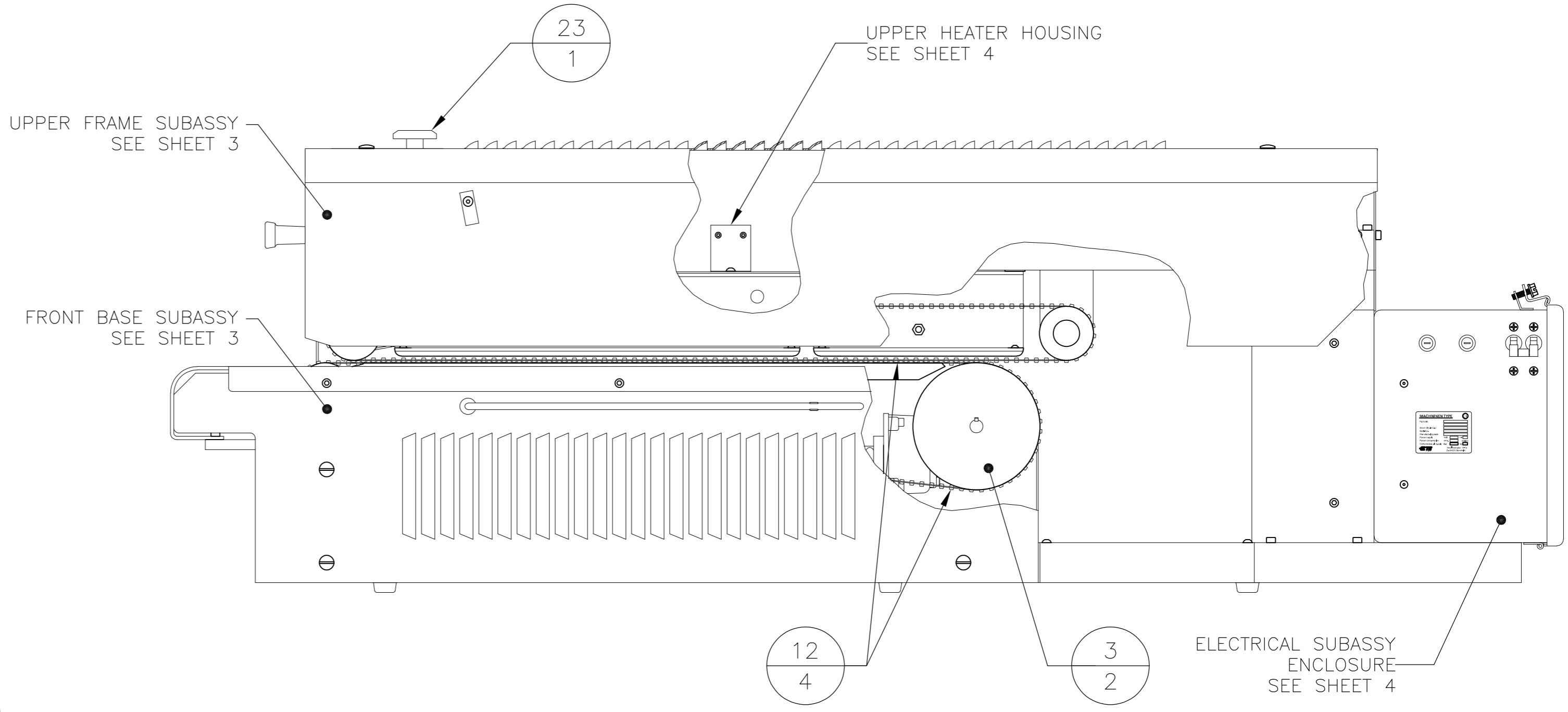
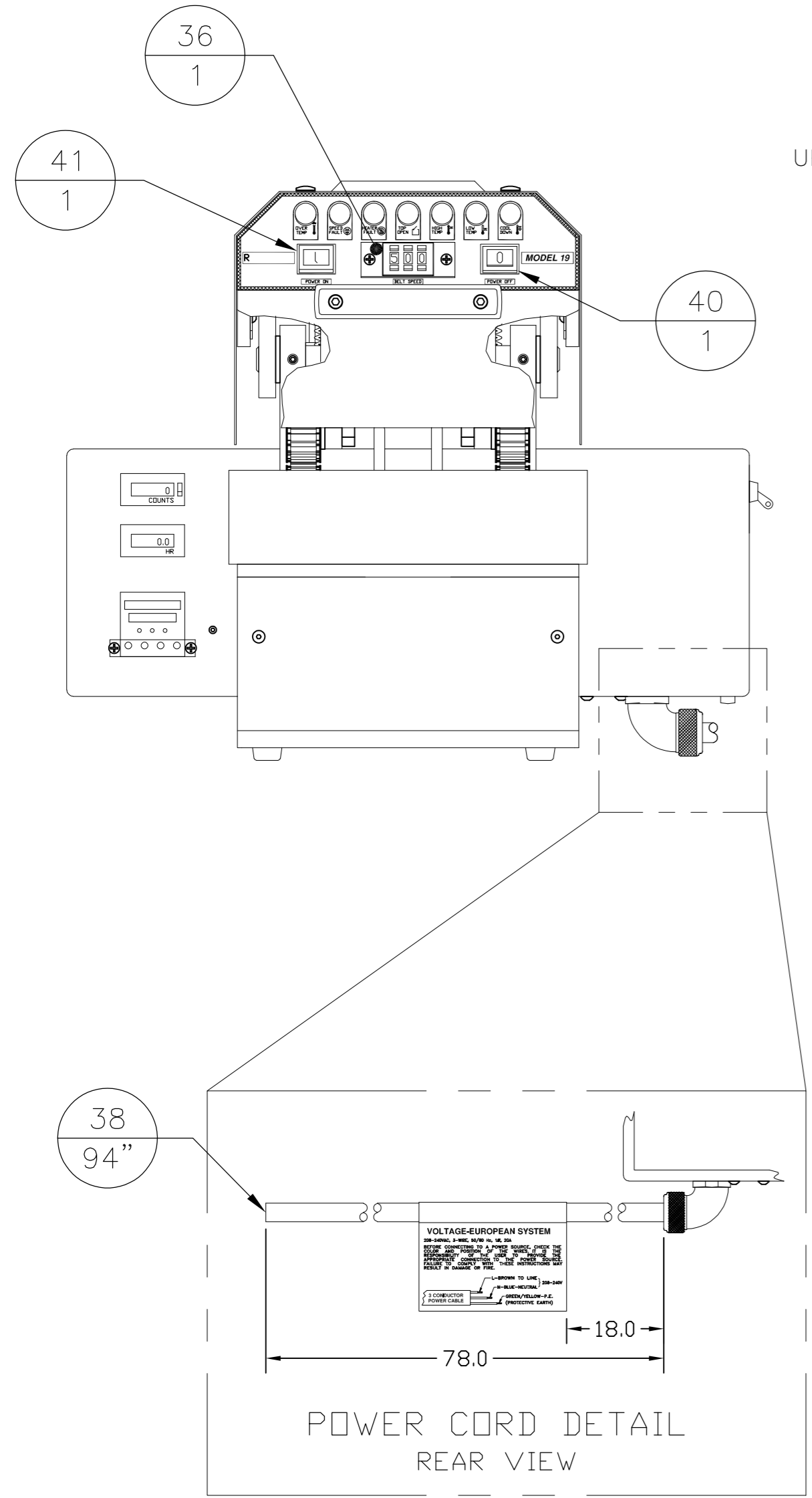
QTY REQD PER ASSY	U/M	PART NO	DESCRIPTION	ITEM NO
-------------------	-----	---------	-------------	---------



THIS DRAWING IS A CONTROLLED DOCUMENT.		DWN	M. YOUNGER	07FEB2014
FINISH		CHK	R. KEENEY	26FEB2014
DIMENSIONS: mm		APVD	R. KEENEY	26FEB2014
TOLERANCES UNLESS OTHERWISE SPECIFIED:		NAME		
0 PLC ± -	1 PLC ± -	M. YOUNGER		
2 PLC ± -	3 PLC ± -	R. KEENEY		
4 PLC ± -	ANGLES ± -	PRODUCT SPEC		
MATERIAL		APPLICATION SPEC		
FINISH		WEIGHT		
		A2 00779		
		C=1481262		
		CUSTOMER DRAWING		
		SCALE		
		SHEET 1 of 4		
		REV A		

THIS DRAWING IS UNPUBLISHED. RELEASED FOR PUBLICATION  
 © COPYRIGHT - By - ALL RIGHTS RESERVED.

LOC	DIST	REVISIONS			
P	LTR	DESCRIPTION	DATE	DWN	APVD
A	00	SEE SHEET 1	-	-	-

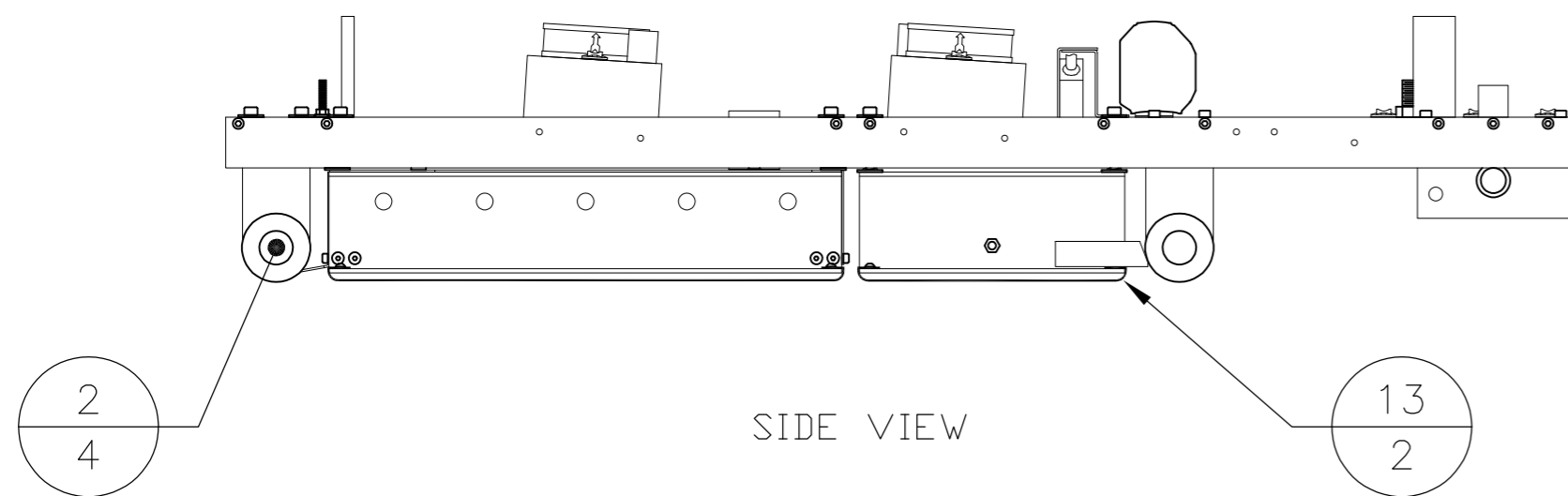
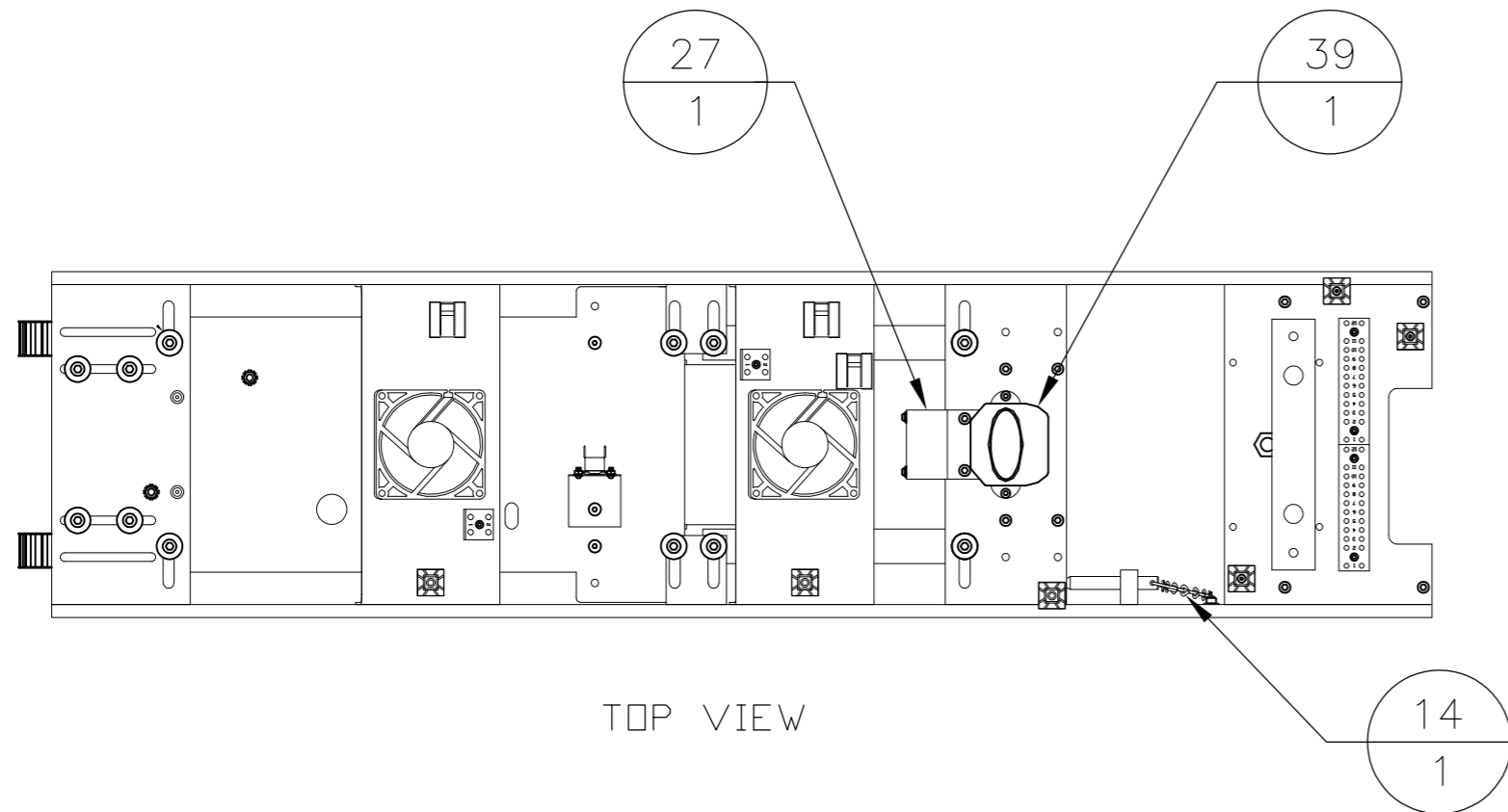


REAR BASE DETAIL  
MECHANICAL SUBASSY

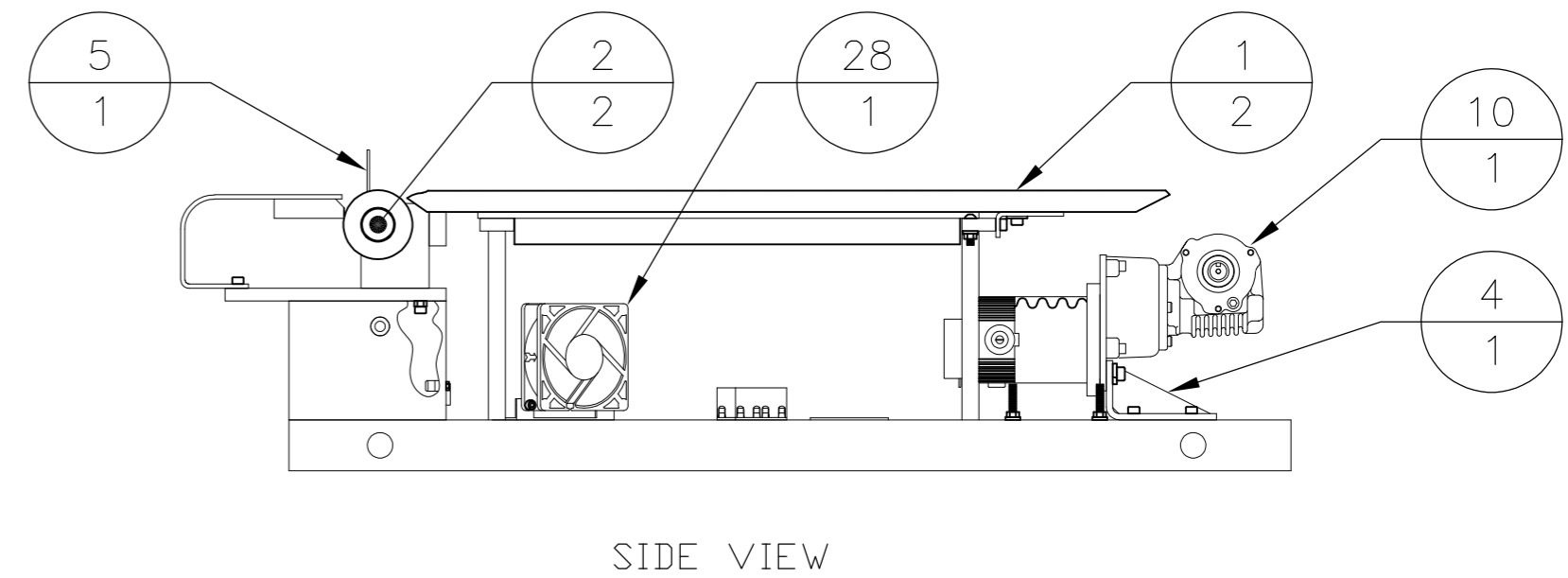
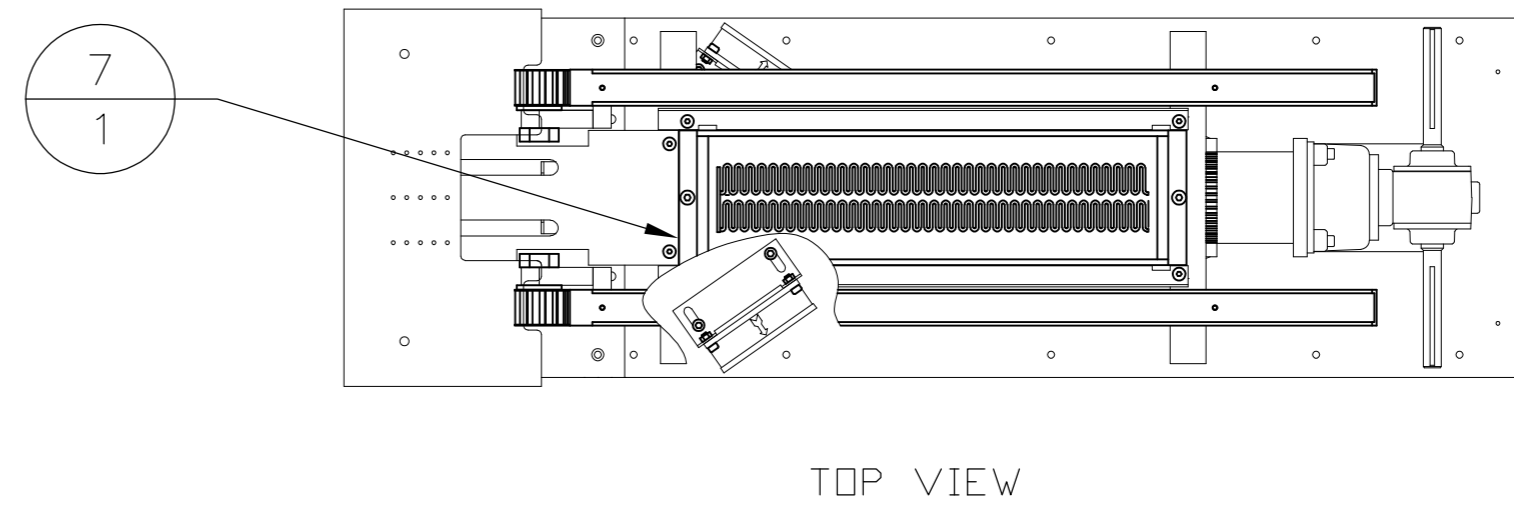
THIS DRAWING IS A CONTROLLED DOCUMENT.		DWN M. YOUNGER 07FEB2014	<b>TE</b> TE Connectivity	
DIMENSIONS: mm		CHK R. KEENEY 26FEB2014		
TOLERANCES UNLESS OTHERWISE SPECIFIED:		APVD R. KEENEY 26FEB2014	NAME MODEL 19 BELTHEATER SPARE PARTS	
0 PLC ± -		PRODUCT SPEC	SIZE A2	
1 PLC ± -		APPLICATION SPEC	CAGE CODE 00779	DRAWING NO C=1481262
2 PLC ± -		WEIGHT -	RESTRICTED TO -	
3 PLC ± -		MATERIAL -	SCALE -	
4 PLC ± -		FINISH -	SHEET 2 of 4	
ANGLES ± -		CUSTOMER DRAWING		
FINISH		REV A		

THIS DRAWING IS UNPUBLISHED. RELEASED FOR PUBLICATION  
 © COPYRIGHT - By - ALL RIGHTS RESERVED.

LOC	DIST	REVISIONS			
P	LTR	DESCRIPTION	DATE	DWN	APVD
A	00	SEE SHEET 1	-	-	-



UPPER BASE DETAIL  
MECHANICAL SUBASSY

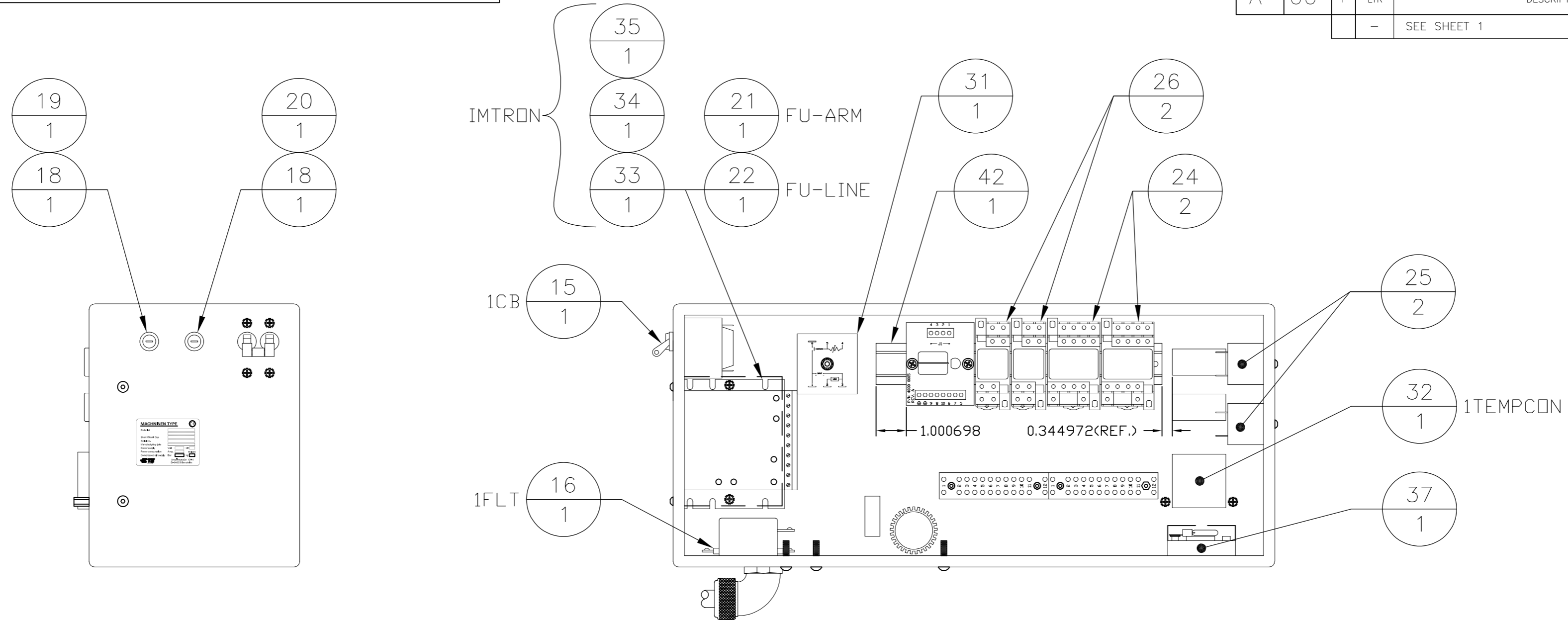


FRONT BASE DETAIL  
MECHANICAL SUBASSY

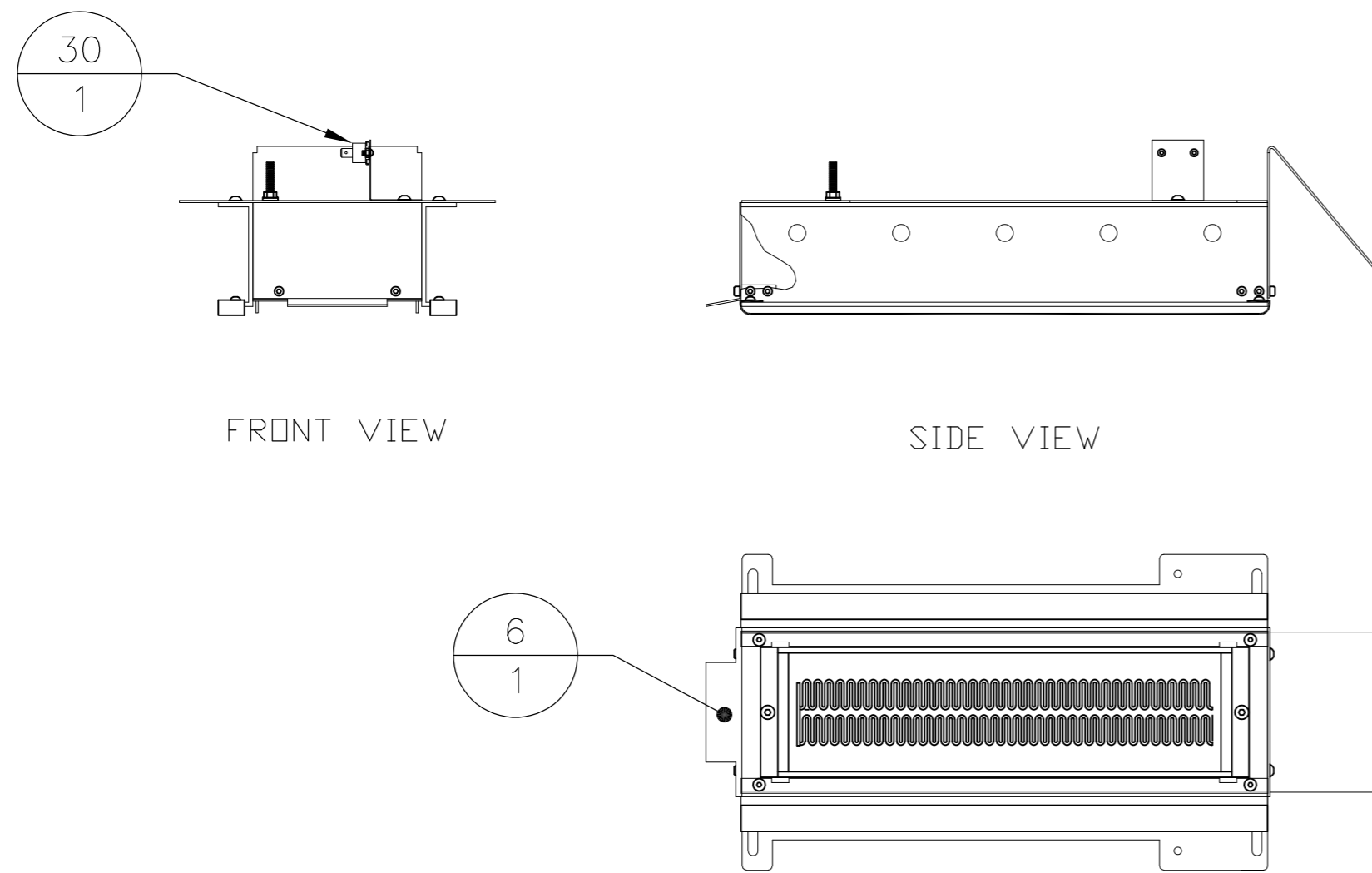
THIS DRAWING IS A CONTROLLED DOCUMENT.		DWN M. YOUNGER 07FEB2014	<b>TE</b> TE Connectivity	
DIMENSIONS: mm		CHK R. KEENEY 26FEB2014		
TOLERANCES UNLESS OTHERWISE SPECIFIED:		APVD R. KEENEY 26FEB2014	NAME MODEL 19 BELTHEATER SPARE PARTS	
0 PLC ± -		PRODUCT SPEC	SIZE	RESTRICTED TO
1 PLC ± -		APPLICATION SPEC	CAGE CODE	A2 00779 C=1481262
2 PLC ± -		WEIGHT	DRAWING NO	
3 PLC ± -		MATERIAL	SCALE	SHEET 3 of 4
4 PLC ± -		FINISH	REV	
ANGLES ± -		CUSTOMER DRAWING		
FINISH		SCALE - SHEET 3 of 4 REV A		

THIS DRAWING IS UNPUBLISHED. RELEASED FOR PUBLICATION  
 © COPYRIGHT - By - ALL RIGHTS RESERVED.

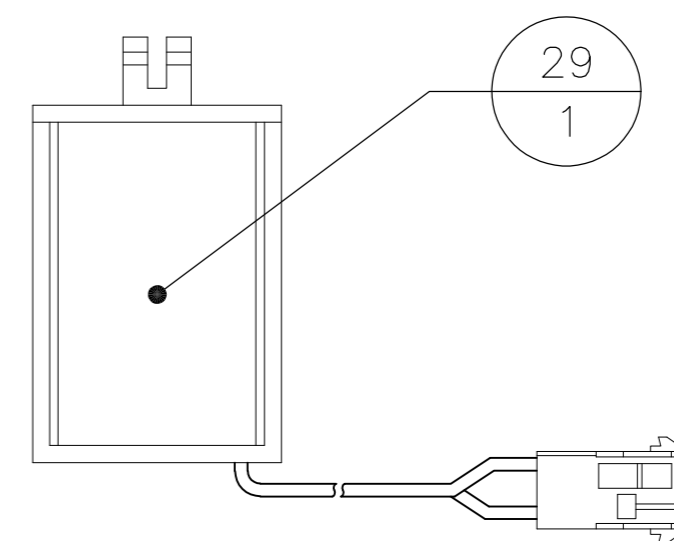
LOC	DIST	REVISIONS					
		P	LTR	DESCRIPTION	DATE	DWN	APVD
A	00	-	-	SEE SHEET 1	-	-	-



ELECTRICAL ENCLOSURE DETAIL  
SUBASSY



UPPER HEATER DETAIL  
SUBASSY



12 VDC SOLENOID DETAIL  
SUBASSY

THIS DRAWING IS A CONTROLLED DOCUMENT.		DWN M. YOUNGER 07FEB2014																				
DIMENSIONS: mm		CHK R. KEENEY 26FEB2014																				
TOLERANCES UNLESS OTHERWISE SPECIFIED:		APVD R. KEENEY 26FEB2014	NAME MODEL 19 BELTHEATER SPARE PARTS																			
<table border="1"> <tr><td>0 PLC</td><td>±</td><td>-</td></tr> <tr><td>1 PLC</td><td>±</td><td>-</td></tr> <tr><td>2 PLC</td><td>±</td><td>-</td></tr> <tr><td>3 PLC</td><td>±</td><td>-</td></tr> <tr><td>4 PLC</td><td>±</td><td>-</td></tr> <tr><td>ANGLES</td><td>±</td><td>-</td></tr> </table>		0 PLC	±	-	1 PLC	±	-	2 PLC	±	-	3 PLC	±	-	4 PLC	±	-	ANGLES	±	-	PRODUCT SPEC	SIZE A2	
0 PLC	±	-																				
1 PLC	±	-																				
2 PLC	±	-																				
3 PLC	±	-																				
4 PLC	±	-																				
ANGLES	±	-																				
MATERIAL		APPLICATION SPEC	CAGE CODE 00779	DRAWING NO C=1481262																		
FINISH		WEIGHT	RESTRICTED TO	SCALE																		
		CUSTOMER DRAWING	4 OF 4	REV A																		