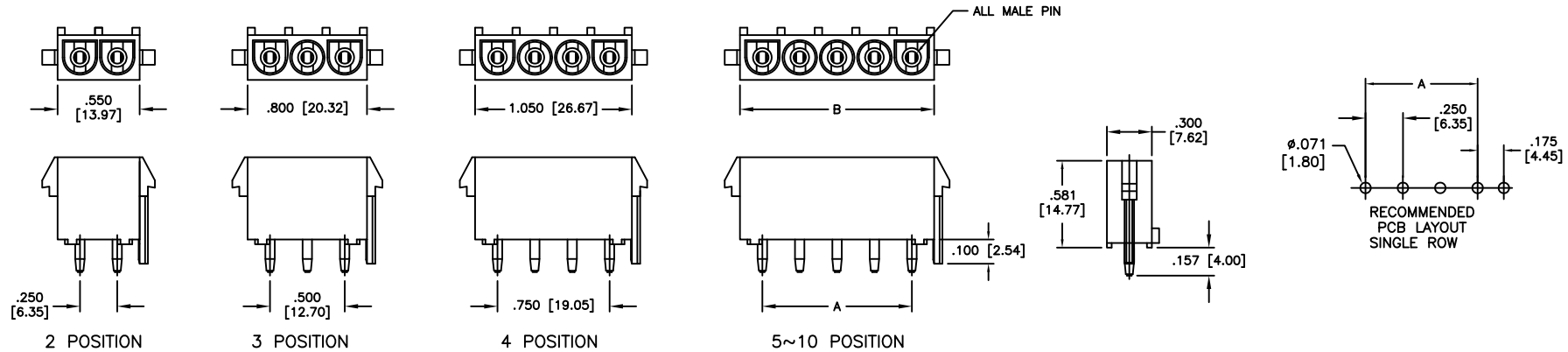


APPROVED: \_\_\_\_\_  
 DATE: \_\_\_\_\_ TITLE: \_\_\_\_\_

|     |       |             |         |      |
|-----|-------|-------------|---------|------|
| Rev | AWO # | Description | Date    | Appr |
| -   |       | RELEASED    | 2/21/20 |      |



| Poles | Dimensions |         |       |         |
|-------|------------|---------|-------|---------|
|       | A          |         | B     |         |
| 02    | .250       | [6.35]  | .550  | [13.97] |
| 03    | .500       | [12.70] | .800  | [20.32] |
| 04    | .750       | [19.05] | 1.050 | [26.67] |
| 05    | 1.000      | [25.40] | 1.307 | [33.20] |
| 06    | 1.250      | [31.75] | 1.550 | [39.37] |
| 07    | 1.562      | [38.10] | 1.800 | [45.72] |
| 08    | 1.750      | [44.45] | 2.050 | [52.07] |
| 09    | 2.000      | [50.80] | 2.300 | [58.42] |
| 10    | 2.250      | [57.15] | 2.550 | [64.77] |

**SPECIFICATIONS:**  
 Material:  
 Insulator: Nylon 66, rated UL 94V-2  
 Insulator color: Natural  
 Contacts: Phosphor Bronze, Tin plated  
 Electrical:  
 Current rating: 02~10P: 12 Amp Max (With UL1015, 12AWG)  
 Contact resistance: 20 mohms max  
 Insulation resistance: 1,000M ohms min  
 Dielectric withstanding voltage: 2,900 VAC for 1 minute  
 Temperature Rating:  
 -40°C to +105°C  
 Environmental:  
 Lead free, RoHS compliant.



UNLESS OTHERWISE SPECIFIED  
 ALL DIMENSIONS ARE MM [INCHES]  
 TOLERANCES: EXCEPT AS NOTED

|             |              |
|-------------|--------------|
| INCHES      | HOLES        |
| .X ± .10    | Ø.X ± .10    |
| .XX ± .020  | Ø.XX ± .015  |
| .XXX ± .015 | Ø.XXX ± .010 |

**ADAM TECH INTERCONNECTS**  
 909 Rahway Avenue,  
 Union, NJ 07083  
 Phone: 908-687-5000  
 Fax: 908-687-5710

| APPROVALS |     | DATE    |
|-----------|-----|---------|
| DRAWN     | LH  | 2/21/20 |
| CHECKED   | AY1 | 2/21/20 |
| APPROVED  |     |         |

|   |                           |              |
|---|---------------------------|--------------|
| TITLE<br>WIRE TO BOARD, FEMALE, 6.35mm PITCH, WITH POLARIZING PEG, MALE PIN |                           |              |
| SIZE<br>X   | PART NO.<br>DME-XX-S2-P-S | REV.<br>-    |
| REF: S00124T  | SCALE: NTS                | SHEET 1 OF 1 |