

DATE	APP'D
11/14/91	LSB
12/24/91	LSB
5/24/93	LSB
3/26/94	LSB

PROJECTION FOR PUBLICATION
 BY AMP INCORPORATED ALL INTERNATIONAL RIGHTS RESERVED

1.18

7

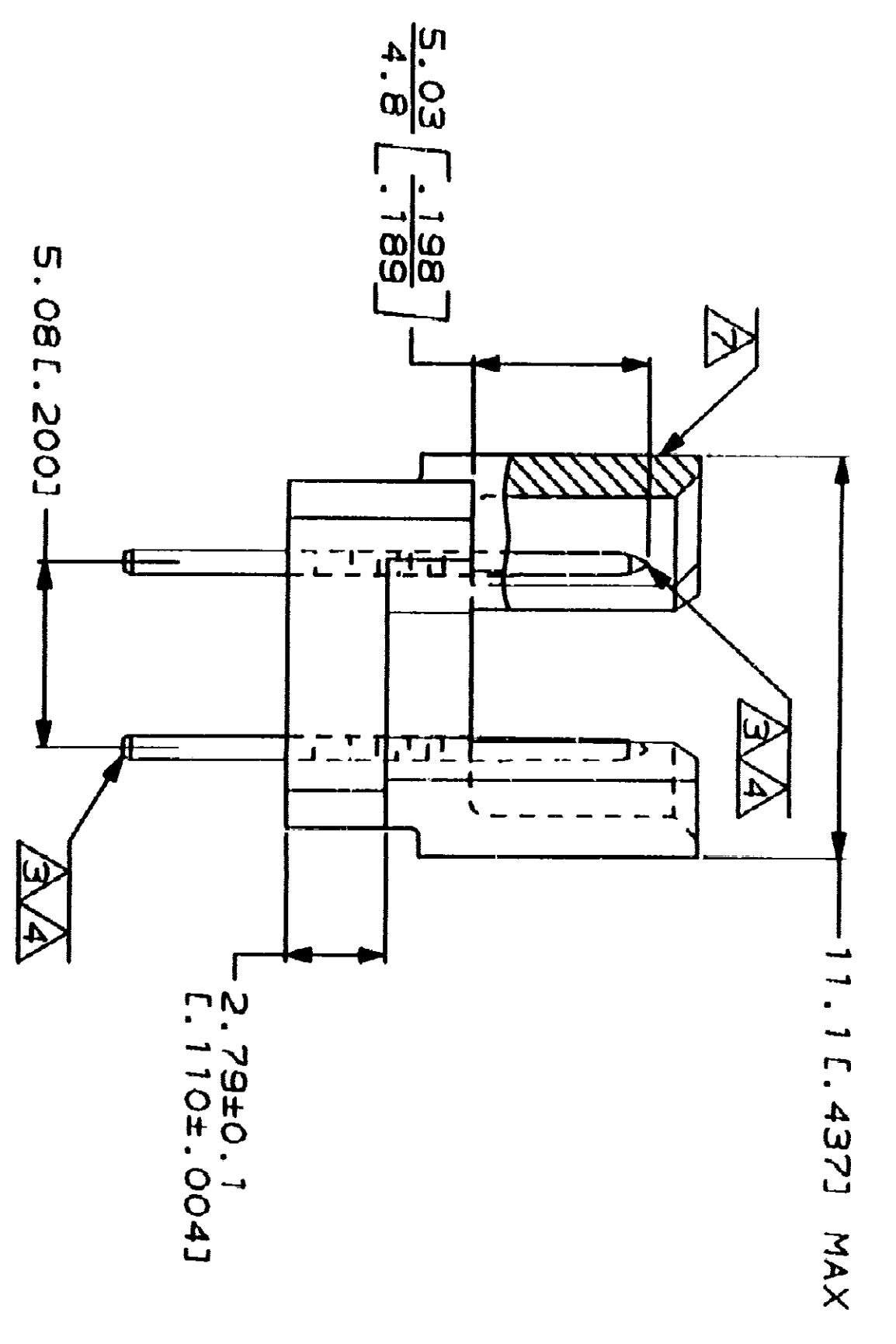
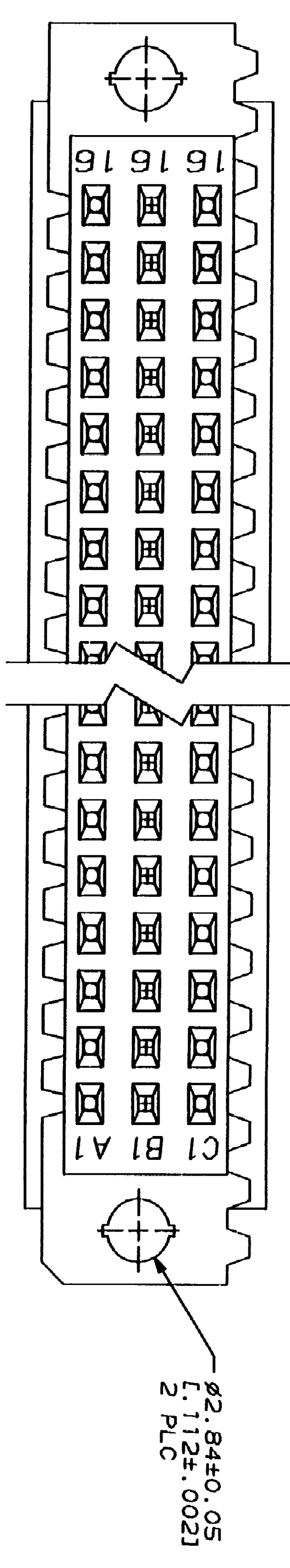
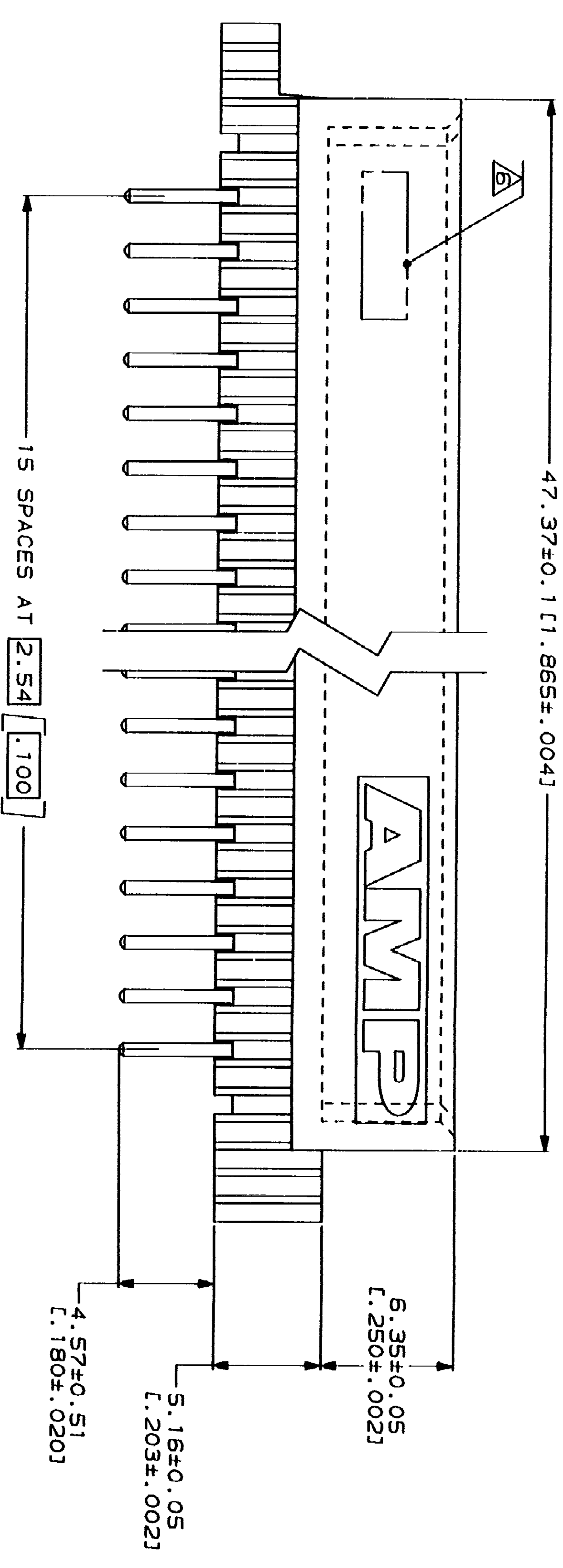
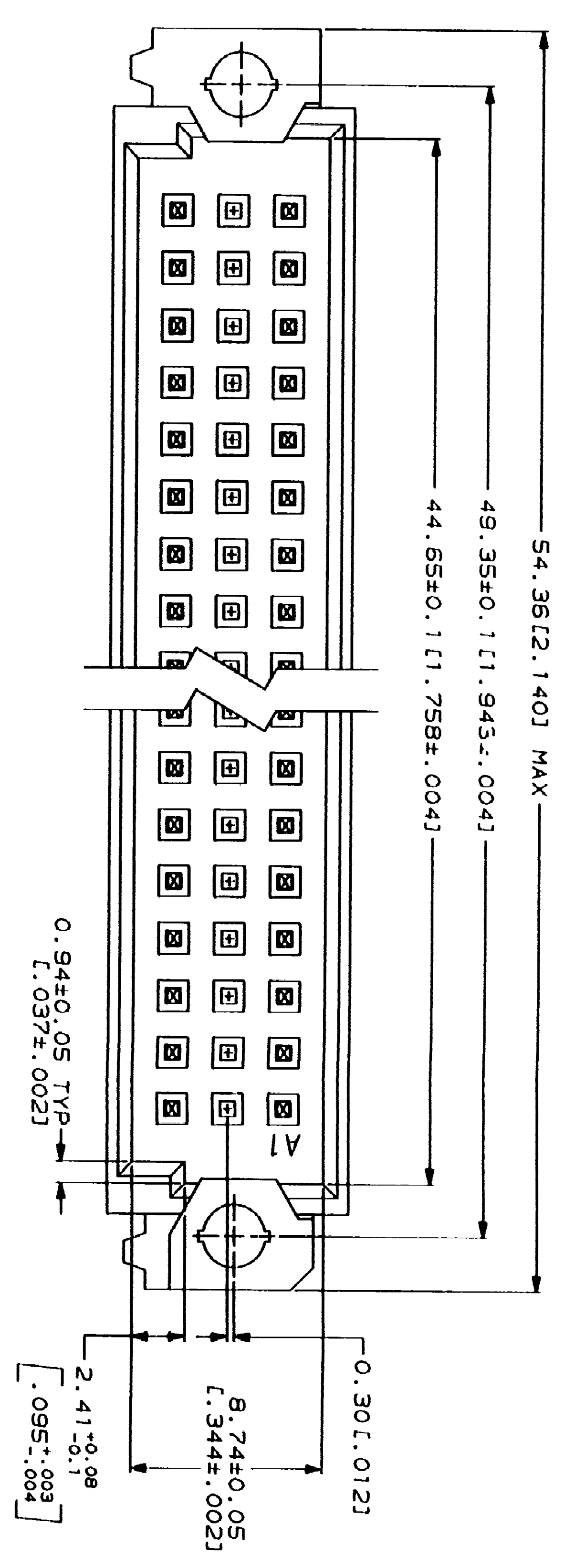
5

4

3

2

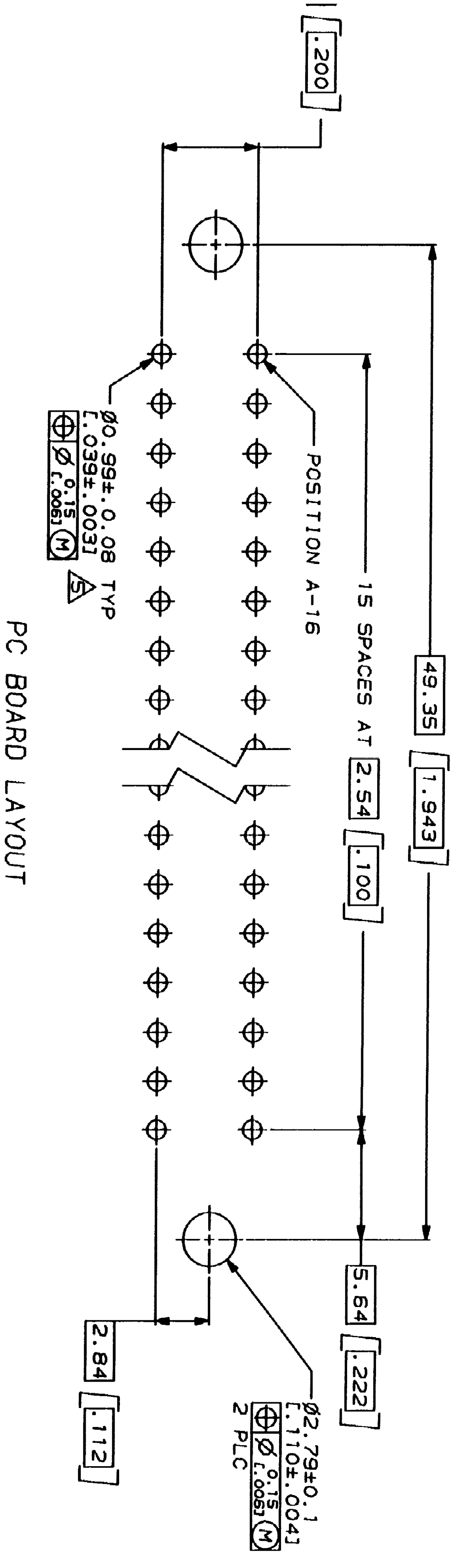
REV	DATE	BY	DESCRIPTION
0			DRAWN
B			ECN A055861 A05640
C			ECN A05876
D			ECN A05871
E			ECN A06256
F			EC 0010-0513-93
G			EC 0010-0498-94



- △ HOUSING MATERIAL: GLASS-FILLED POLYESTER. COLOR: GRAY.
- △ POST MATERIAL: BRASS.
- △ POST FINISH: DIN 41612 CLASS 3 IN CONTACT AREA.
- △ TIN-LEAD PLATE ON POSTS.
- △ POST FINISH: DIN 41612 CLASS 2 IN CONTACT AREA.
- △ TIN-LEAD PLATE ON POSTS.
- △ RECOMMENDED HOLE SIZE FOR MANUAL APPLICATION OF CONNECTOR ONTO PC BOARD.
- △ [PART NUMBER, DATE CODE] MARKED THIS APPROXIMATE AREA.
- △ MARKING ON THIS SIDE.

OBsolete	3	1-16	X	-	X	32
			X	-	X	32

NOTES	POSITIONS LOADED	ROWS LOADED	NO. OF LOADED POSITIONS	ASSY
	C	B	A	



PC BOARD LAYOUT

DR	DATE	NAME
L. BRINER	3/18/91	
D.C. RUBENDALL	3/26/91	
D.C. RUBENDALL	3/26/91	
K.R. PARKER	3/26/91	

AMP
 AMP Incorporc
 Harrisburg, PA

PIN ASSEMBLY, EURO1
 TYPE '1/2R'

SIZE	CAGE CODE	DRAWING NO
D	00779	6501

CUSTOMER

RAWING

RT NUMBER	T NO	936-9	936-5

1 OF 1