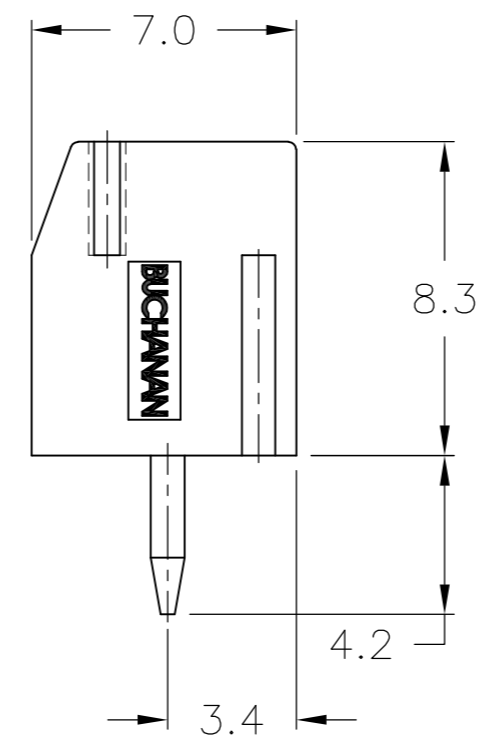
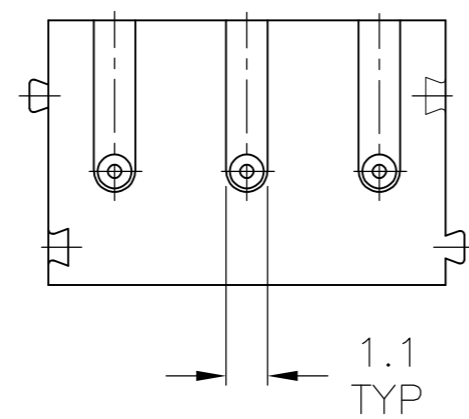
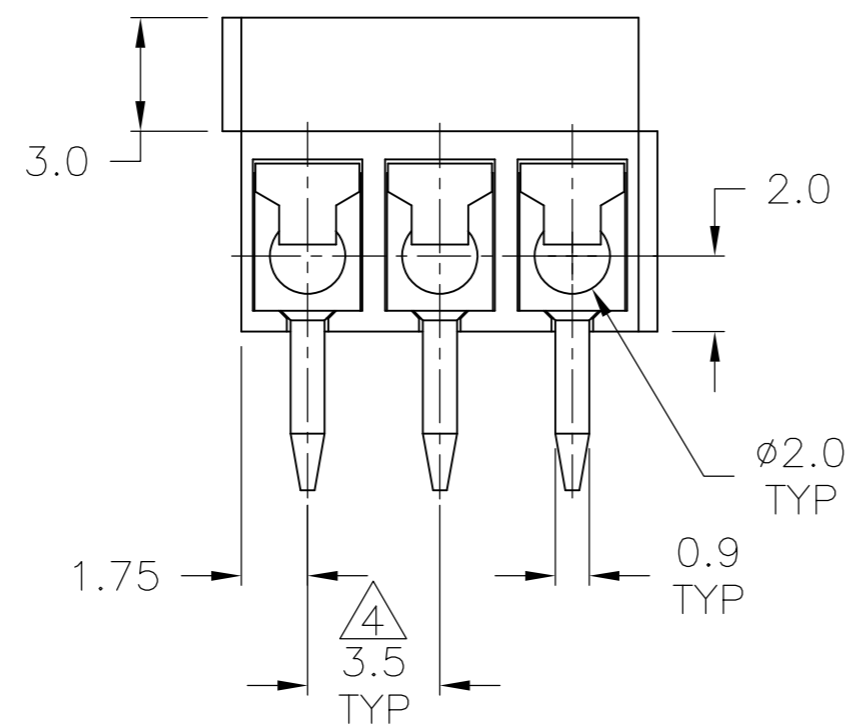
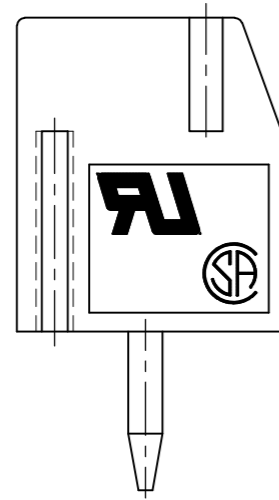
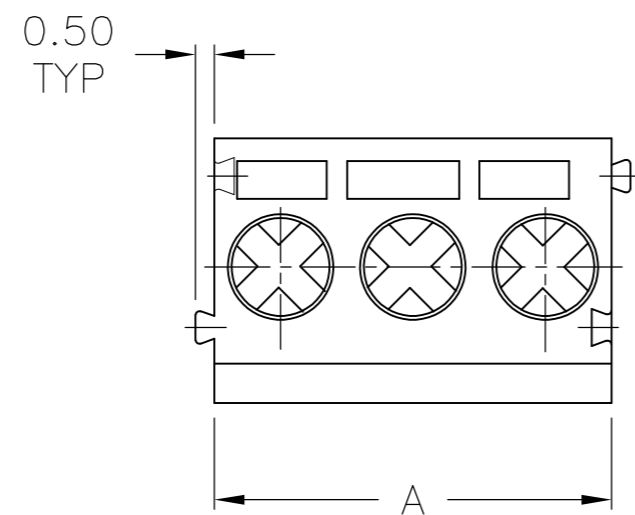


THIS DRAWING IS UNPUBLISHED. RELEASED FOR PUBLICATION
 © COPYRIGHT - By - ALL RIGHTS RESERVED.

LOC		DIST		REVISIONS			
P	LTR	DESCRIPTION		DATE	DWN	APVD	
FT	0	R		REVISED PER ECO-14-000571	15APR2014	NK	MM

- ALL DIMENSIONS ARE IN MM.
 - RECOMMENDED PC BOARD HOLE DIAMETER: 1.20-1.40.
 - BUCHANAN LOGO TO APPEAR ON HOUSING LOCATION OPTIONAL WHERE SPACE PERMITS.
- △ NON CUMULATIVE



HOUSING COLOR	DIM A	NO OF POSN	PART NUMBER	
OBSOLETE	BLACK	42.00	12	4-1776275-2
OBSOLETE	BLACK	28.00	8	3-1776275-8
OBSOLETE	BLUE	84.00	24	2-1776275-4
OBSOLETE	BLUE	80.50	23	2-1776275-3
OBSOLETE	BLUE	77.00	22	2-1776275-2
OBSOLETE	BLUE	73.50	21	2-1776275-1
OBSOLETE	BLUE	70.00	20	2-1776275-0
OBSOLETE	BLUE	66.50	19	1-1776275-9
OBSOLETE	BLUE	63.00	18	1-1776275-8
OBSOLETE	BLUE	59.50	17	1-1776275-7
OBSOLETE	BLUE	56.00	16	1-1776275-6
OBSOLETE	BLUE	52.50	15	1-1776275-5
OBSOLETE	BLUE	49.00	14	1-1776275-4
OBSOLETE	BLUE	45.50	13	1-1776275-3
OBSOLETE	BLUE	42.00	12	1-1776275-2
OBSOLETE	BLUE	38.50	11	1-1776275-1
OBSOLETE	BLUE	35.00	10	1-1776275-0
OBSOLETE	BLUE	31.50	9	1776275-9
OBSOLETE	BLUE	28.00	8	1776275-8
OBSOLETE	BLUE	24.50	7	1776275-7
OBSOLETE	BLUE	21.00	6	1776275-6
OBSOLETE	BLUE	17.50	5	1776275-5
OBSOLETE	BLUE	14.00	4	1776275-4
OBSOLETE	BLUE	10.50	3	1776275-3
OBSOLETE	BLUE	7.00	2	1776275-2

THIS DRAWING IS A CONTROLLED DOCUMENT.

DWN	S SCHLEGEL	5/5/05
CHK	C RICHARD	5/5/05
APVD	C RICHARD	5/5/05

TE Connectivity

TERMINAL BLOCK, PCB MOUNT, STRAIGHT
SIDE WIRE ENTRY, W/ INTERLOCK,
3.5mm PITCH, HIGH TEMP

SIZE	A2	CAGE CODE	00779	DRAWING NO	C=1776275	RESTRICTED TO	-
SCALE	4:1	SHEET	1	OF 2	REV	R	

CUSTOMER DRAWING

THIS DRAWING IS UNPUBLISHED. RELEASED FOR PUBLICATION
 © COPYRIGHT - By - ALL RIGHTS RESERVED.

LOC	DIST	REVISIONS					
FT	0	P	LTR	DESCRIPTION	DATE	DWN	APVD
		-		SEE SHEET 1	-	-	-

1. APPLICATION AND FEATURES:

- 1-1. STANDARD SIZES ARE 2 AND 3 WAY-BLOCKS, BUT EVERY NUMBER OF CONTACT CAN BE COMBINED, BY SIMPLY PLUGGING THEM TOGETHER AND CAN BE ORDERED AS REQUIRED.
- 1-2. WITH WIRE GUARD FOR WIRE PROTECTION SO THAT THE SCREW DOESN'T PRESS DIRECTLY ON THE WIRE.

2. TECHNICAL DATA:

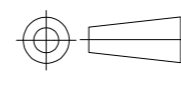
- 2-1. MATERIAL:
 - 2-1-1. HOUSING: NYON 6.6, UL 94 V-0, SEE TABLE.
 - 2-1-2. METAL HOUSING: BRASS(Cu Zn) PLATING: NICKEL-TIN (Ni-Sn)
 - 2-1-3. WIRE GUARD: STAINLESS STEEL.
 - 2-1-4. SCREW: STEEL GALVANIZED AND CHROMATIZED, M2.6.

2-2. ELECTRICAL:

- 2-2-1. CURRENT RATING: RATING: 7 AMPS/WAY MAX.
- 2-2-2. CONTACT RESISTANCE: 20mohm (MAX).
- 2-2-3. INSULATION RESISTANCE: 5000Mohm/1000V.
- 2-2-4. WITHSTANDING VOLTAGE: 1500 VAC/MIN.
- 2-2-5. OPERATION VOLTAGE: 250 VAC.
- 2-2-6. WIRE RANGE: 18-26 AWG.

2.3. MECHANICAL:

- 2-3-1. TORQUE: 4 Kg.cm (MAX).
- 2-3-3. OPERATING TEMPERATURE: -55°C to +105°C.
- 2-3-4. SOLDERABILITY: 95% COVERAGE (MIN).

THIS DRAWING IS A CONTROLLED DOCUMENT.		DWN	S SCHLEGEL	5/5/05	TE TE Connectivity				
DIMENSIONS: mm		CHK	C RICHARD	5/5/05					
		APVD	C RICHARD	5/5/05					
		TOLERANCES UNLESS OTHERWISE SPECIFIED:		NAME		C RICHARD			
		PRODUCT SPEC			TERMINAL BLOCK, PCB MOUNT, STRAIGHT SIDE WIRE ENTRY, W/ INTERLOCK, 3.5mm PITCH, HIGH TEMP				
		APPLICATION SPEC			SIZE	CAGE CODE	DRAWING NO	RESTRICTED TO	
MATERIAL		WEIGHT	-		A2	00779	C=1776275	-	
FINISH		CUSTOMER DRAWING		SCALE	4:1	SHEET	2 OF 2	REV	R