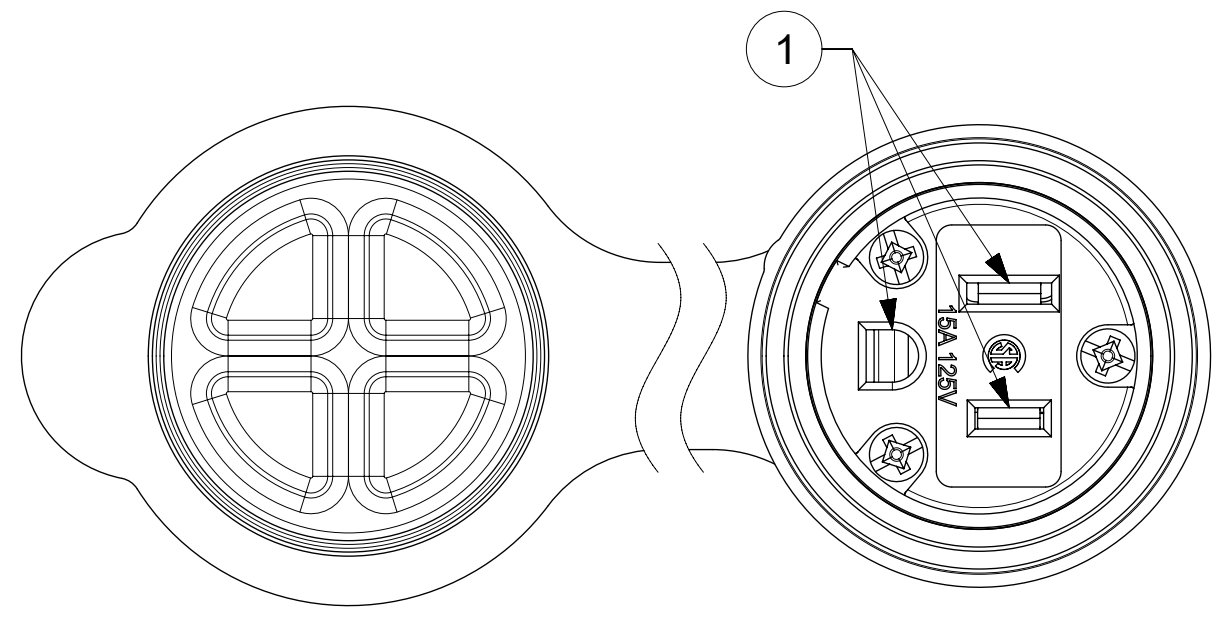
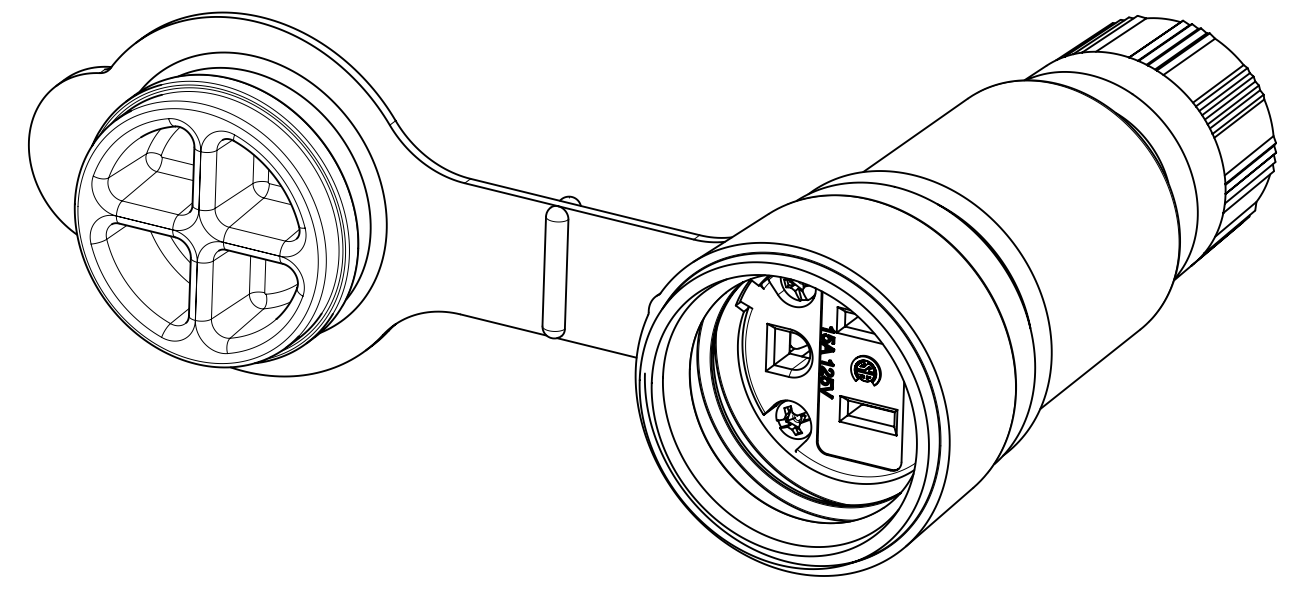
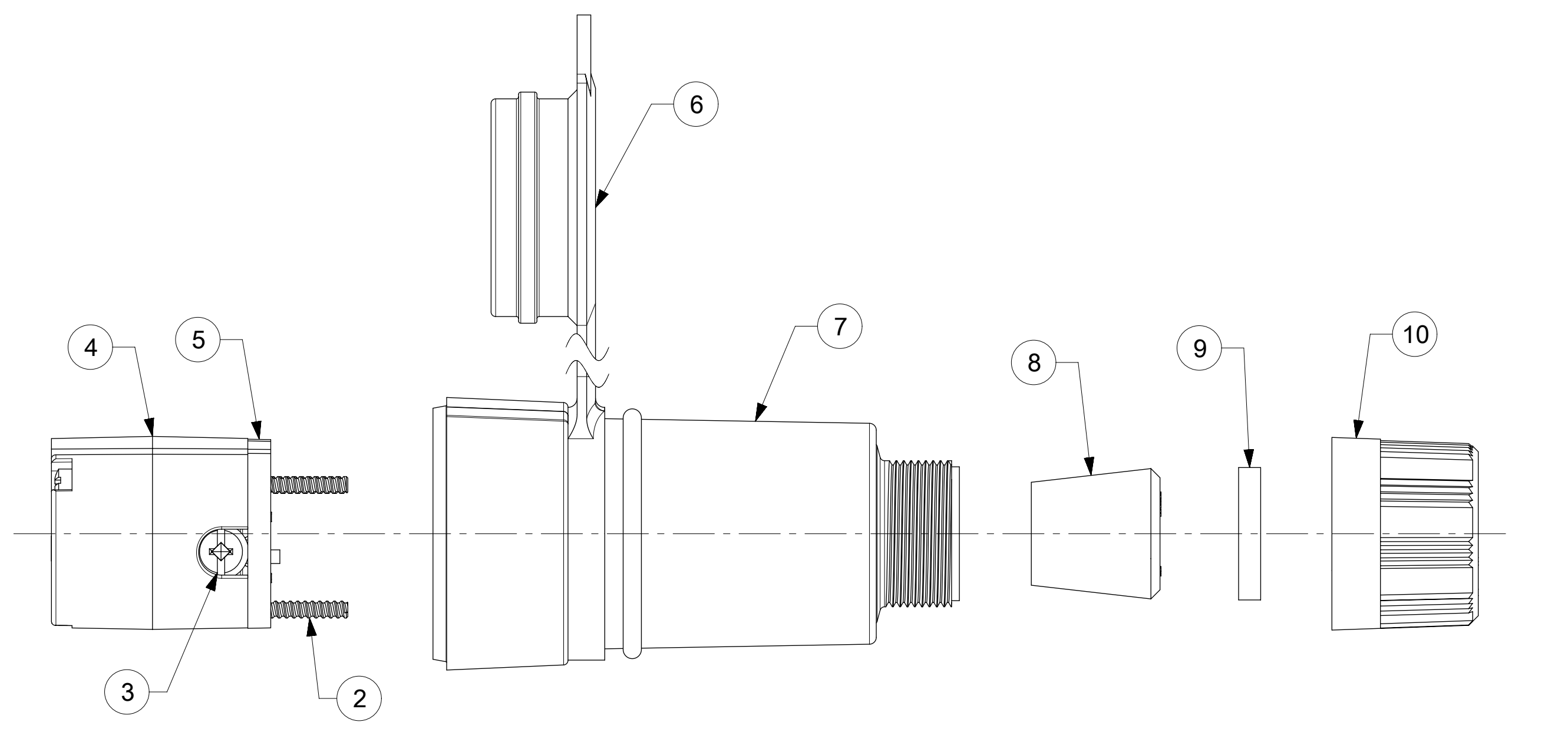
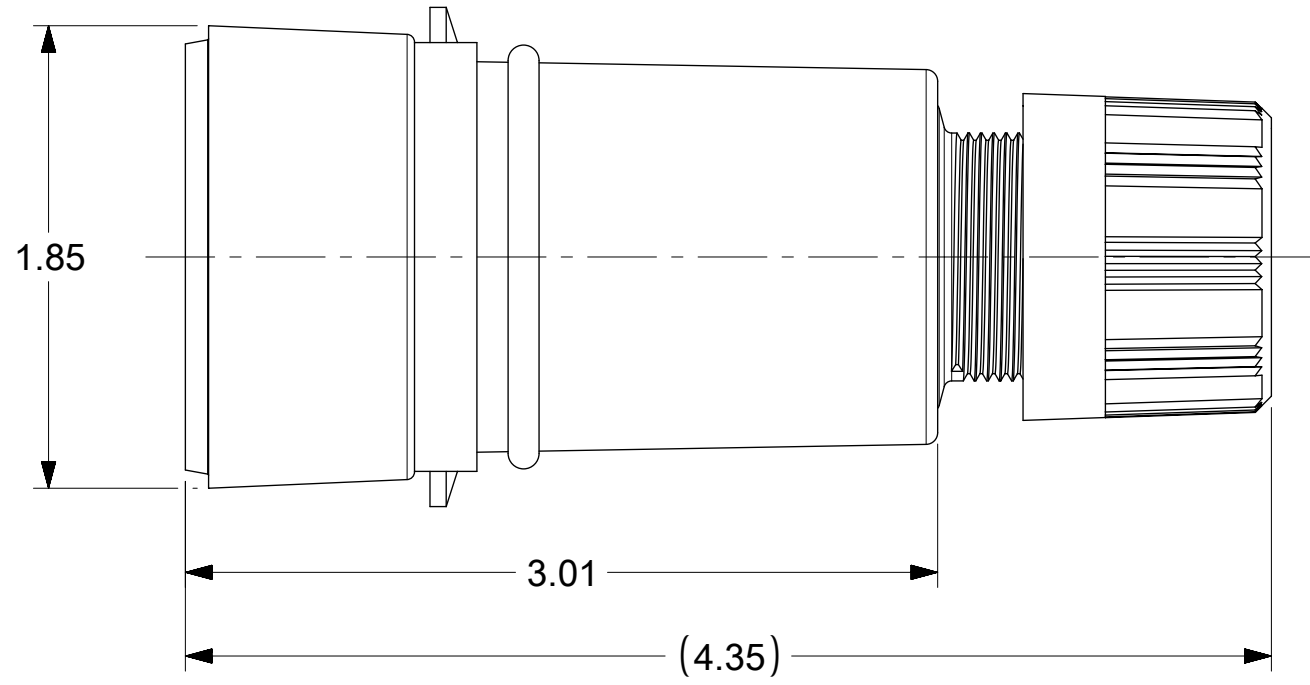


ORDER NO.	WOODHEAD NO.	COLOR
130146-0197	15W47-P	YELLOW
130146-0198	15W47BLK-P	BLACK



**FACE VIEW**



ITEM NO.	DESCRIPTIONS	MATERIAL	QTY.
1	BLADES	BRASS	3
2	RETAINING SCREWS	STAINLESS STEEL	3
3	TERMINAL SCREWS	BRASS, ZINC PLATED	3
4	INSERT	NYLON	1
5	TERMINAL COVER	POLYCARBONATE	1
6	FLIP COVER	SILICON	1
7	HOUSING	RUBBER WITH NYLON THREAD	1
8	GROMMETS	RUBBER	5
9	FRICTION RING	NYLON	1
10	COMPRESSION NUT	NYLON	1

**NOTES:**  
 1. SEE INSTRUCTION SHEET NUMBER 1301414770 FOR PRODUCT SPECIFICATION.  
 2. CABLE RANGE FROM 0.375" TO 0.625"

SYMBOLS		THIS DRAWING CONTAINS INFORMATION THAT IS PROPRIETARY TO MOLEX ELECTRONIC TECHNOLOGIES, LLC AND SHOULD NOT BE USED WITHOUT WRITTEN PERMISSION		CURRENT REV DESC: RELEASED		<b>molex</b>	
▽ = 0	INCH	SCALE	NTS	EC NO: 613681			
▽ = 0	GENERAL TOLERANCES (UNLESS SPECIFIED)		4 PLACES ±		DRWN: ABABU01	2018/11/13	PRODUCT CUSTOMER DRAWING
▽ = 0	ANGULAR TOL ± 0.5°		3 PLACES ± 0.005		CHK'D: DNGUYEN62	2019/03/13	
▽ = 0	2 PLACES ± 0.01		1 PLACE ± 0.02		APPR: HKNEELAND	2019/03/21	DOCUMENT NUMBER
▽ = 0	DRAFT WHERE APPLICABLE MUST REMAIN WITHIN DIMENSIONS		THIRD ANGLE PROJECTION		DRWN: ABABU01	2018/11/13	DOC TYPE
▽ = 0	DRAWING		SERIES		APPR: HKNEELAND	2019/03/21	DOC PART
C-SIZE		130146		MATERIAL NUMBER		SHEET NUMBER	
SEE TABLE		GENERAL MARKET		1301460197		1 OF 1	