

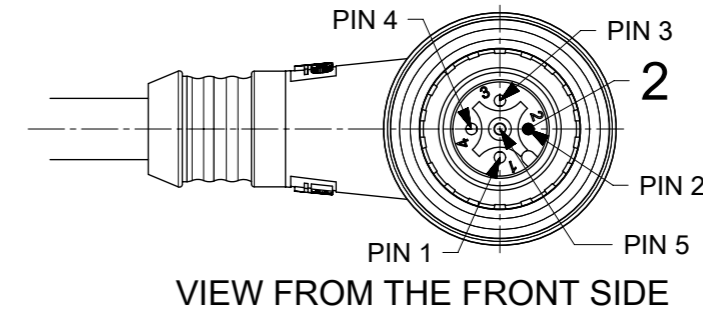
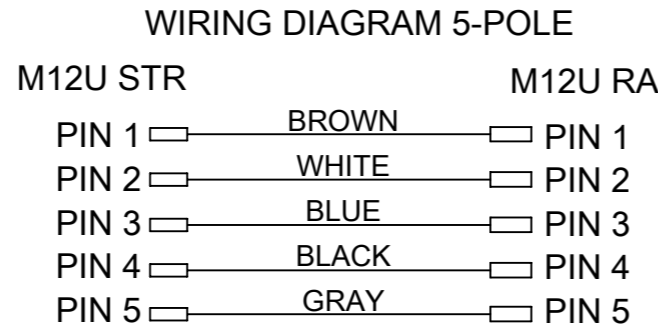
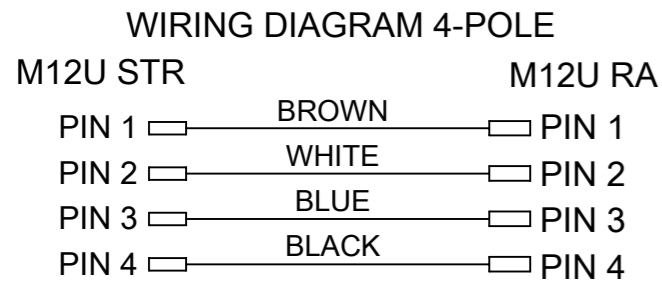
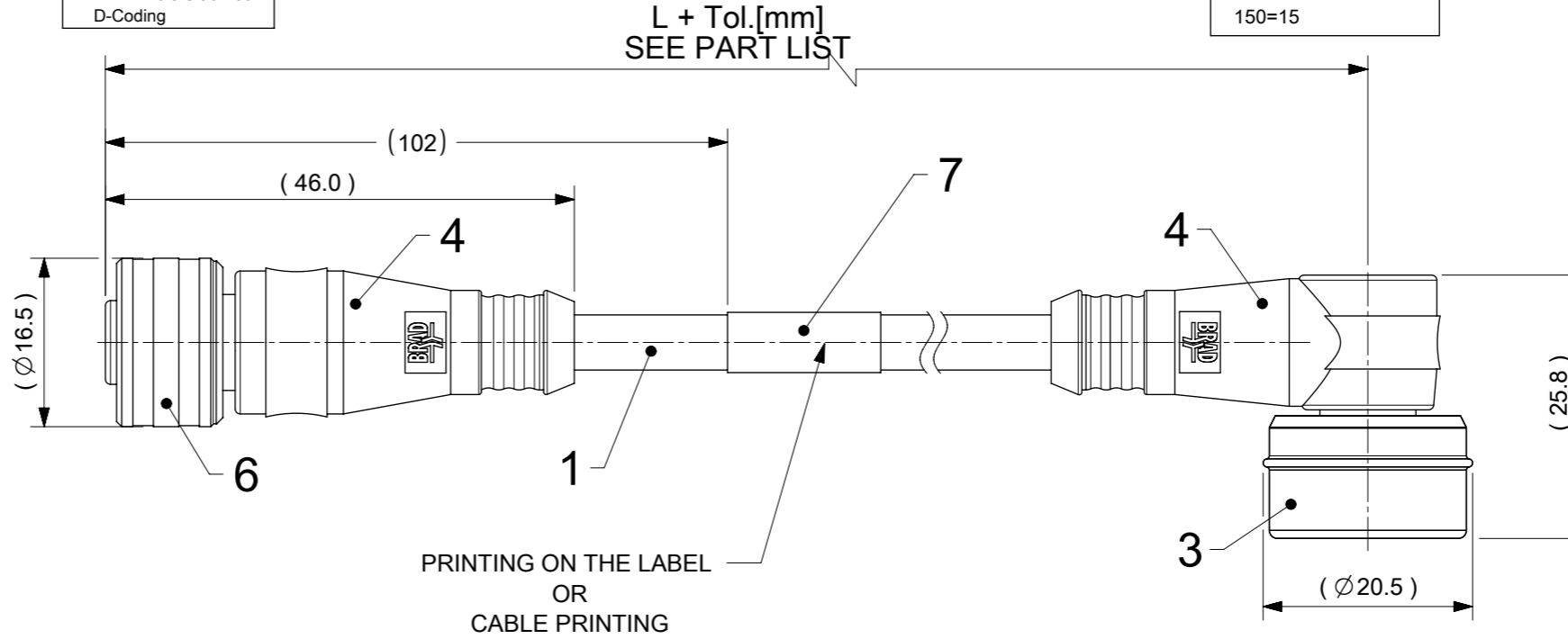
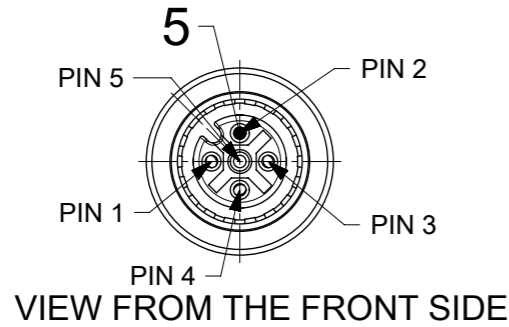
NOTES :
 ELECTRICAL DATA :
 VOLTAGE RATING : 250V
 AMPERAGE RATING : 4A
 INSULATION RESISTANCE : 10⁸Ω MIN.
 MATING CYCLES : MIN. 100

ENVIRONMENTAL :
 PROTECTION CLASS : IP67/IP68/IP69K
 IN MATED CONDITION AND LOCKED CONDITION
 OPERATING TEMPERATURE : -25°C TO +80°C

PART NO MATRIX

W	W	X	0	3	2	X	X	X	M	X	X	X
---	---	---	---	---	---	---	---	---	---	---	---	---

HEADS: W=M12 4-Pole Ultra Lock D-Coding W=M12 4-Pole Ultra Lock D-Coding	WIRING TYPE: 4= 4 Pole 5= 5 Pole	HEADS STYLE: 032 = FEMALE STR / MALE RA	CABLE TYPE: SEE CABLE LIST	UNITS: M=METER T=10x METER	LENGTH EXAMPLES: 005=0.5 010=1 150=15
--	--	--	-------------------------------	----------------------------------	--



BOM

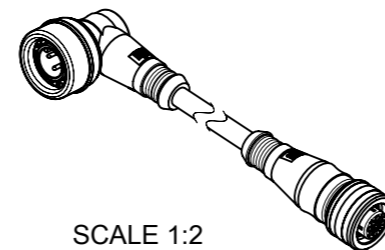
ITEM	QTY.	DESCRIPTION	MATERIAL	FINISH/COLOR
7	1/0	LABEL	VINYL	YELLOW
6	1	ULTRALOCK FEMALE ASSEMBLY PLUG	-	-
5	4	CONTACT FEMALE	BRONZE	SELECTIVE GOLD OVER NICKEL
4	-	MOULDING MATERIAL	TPU	BLACK
3	1	ULTRA-LOCK MALE ASSEMBLY PLUG	-	-
2	4	CONTACT MALE	BRASS	SELECTIVE GOLD OVER NICKEL
1	-	SEE CABLE LIST	SEE CABLE LIST	

PART LIST

SL. NO	MOLEX PN	ENGINEERING NO.	L +Tol. (mm)
1	1200805068	WW4032E03M010	1000+56
2	1200808012	WW4032P03M020	2000+89
3	1200808036	WW4032H09M010	1000+56
4	1200808038	WW5032H09M010	1000+56

CABLE LIST

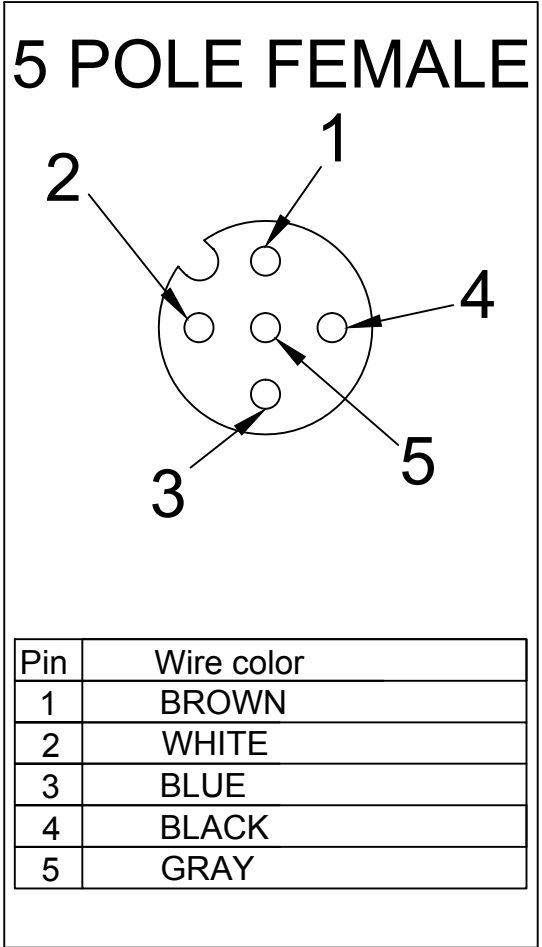
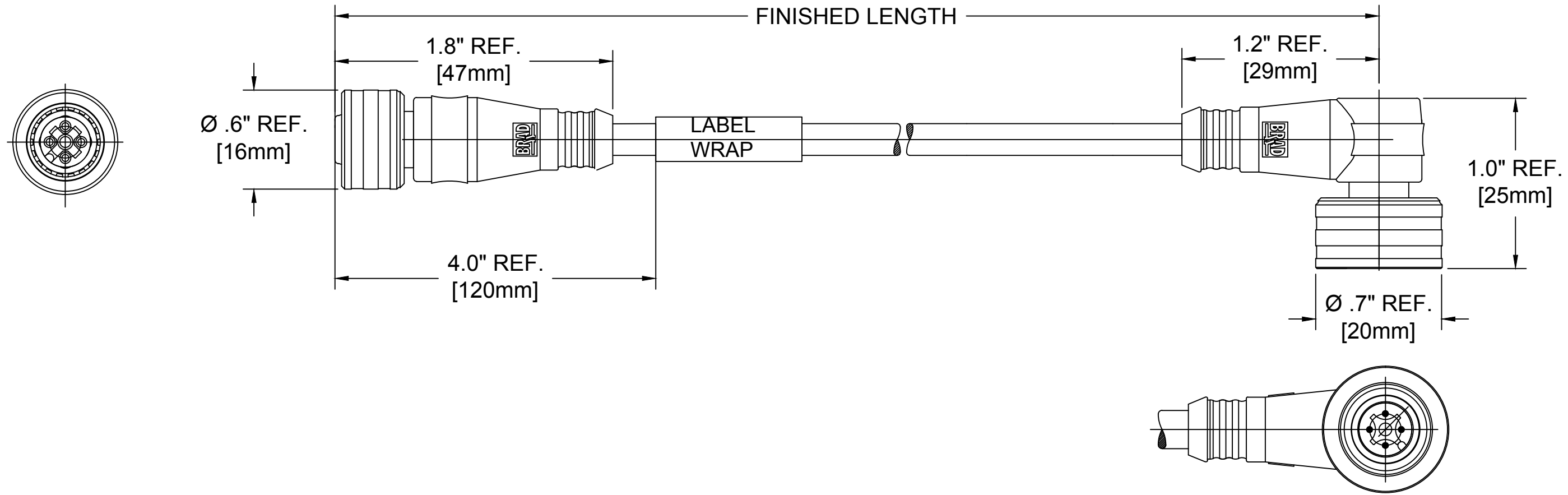
CABLE TYPE	NO. OF WIRES	DESCRIPTION	CABLE JACKET	FINISH/COLOR
E03	4	4X0.34MM;UNSH;RAL9005;OD=5.40MM	PVC	BLACK
P03	4	4X0.34MM;UNSH;PUR;BK-RAL9005;OD=5.30MM	PUR	BLACK
H09	4	CABLE PUR;BLK 4X0.34MM-LSOH;UL	PUR	BLACK
H09	5	CABLE PUR BLK 5X0.34mm LSZH UL	PUR	BLACK



FUNCTIONAL SYMBOLS ∇/A = 0 ∇/E = 0 ∇/V = 0	THIS DRAWING CONTAINS INFORMATION THAT IS PROPRIETARY TO MOLEX ELECTRONIC TECHNOLOGIES, LLC AND SHOULD NOT BE USED WITHOUT WRITTEN PERMISSION	SCALE 3:2	CURRENT REV DESC:		
	DIMENSION UNITS mm	GENERAL TOLERANCES (UNLESS SPECIFIED) ANGULAR TOL ± 1.0° 4 PLACES ± 3 PLACES ± 2 PLACES ± 0.05 1 PLACE ± 0.3 0 PLACES ± 0.5			
DIVISIONAL SYMBOLS	EC NO: 703538 DRWN: MDHARMANTI 2022/03/09 CHK'D: RSILLER 2022/04/22 APPR: RSILLER 2022/04/22				
	INITIAL REVISION: DRWN: MDHARMANTI 2022/03/09 APPR: RSILLER 2022/04/22	PRODUCT CUSTOMER DRAWING DOCUMENT NUMBER: 1200805068 DOC TYPE: PSD DOC PART: 000 REVISION: A			
DRAFT WHERE APPLICABLE MUST REMAIN WITHIN DIMENSIONS	THIRD ANGLE PROJECTION	DRAWING: A3-SIZE	SERIES: 120080	MATERIAL NUMBER: SEE PART LIST	CUSTOMER: GENERAL MARKET
				SHEET NUMBER: 1 OF 1	

DOCUMENT STATUS	P1	RELEASE DATE	2022/04/22	06:35:45
-----------------	----	--------------	------------	----------

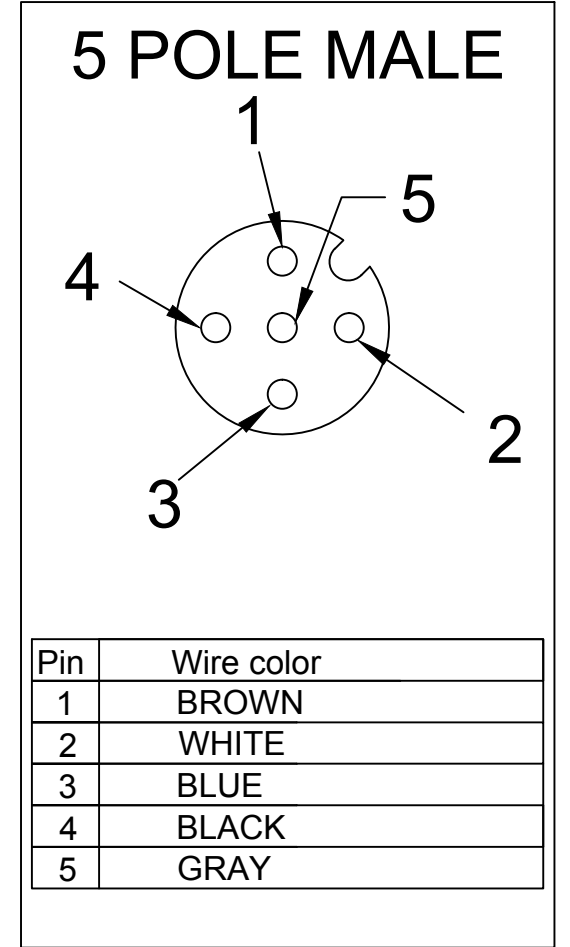
MATERIAL NUMBER	OLD PART NUMBER	FINISHED LENGTH
1200808038	WW5032H09M010	1M +55.6mm -0 [3.3FT. +2.2IN -0]



WW5032H09M010

cable type
#22 PUR
BLACK

cable length
010----1 Meter
100----10Meters



SPECIFICATION DATA

COMPONENT	MATERIAL	FINISH
LABEL	MYLAR	BLACK/YELLOW
COUPLER	BRASS	NICKEL PLATED
CONTACT	COPPER ALLOY	Au OVER Ni
INSERT	PUR	BLACK
OVERMOLD	TPU	BLACK
CABLE #22	PUR	BLACK
VOLTAGE RATING:		300V
AMPERAGE RATING:		4A
PROTECTION CLASS:		IP67/68/69K
OPERATING TEMPERATURE:		-30°C / 80°C
CSA CERTIFICATIONS:		FILE NO. LR6837

RELEASE EC NO: IFC2014-0591 DRWN: GGUSTAFS 2013/09/25 CH'KD: BARDEN APPR: BWOODMAN2013/10/09	QUALITY SYMBOL	DESCRIPTION
	▽=0	
	▽C=0	
	A	REV

GENERAL TOLERANCES (UNLESS SPECIFIED)	
	IN/MM
4 PLACES	±--- ±---
3 PLACES	±--- ±.005
2 PLACES	±0.13 ±.010
1 PLACE	±0.25 ±.020
ANGULAR ±.5°	
DRAFT WHERE APPLICABLE MUST REMAIN WITHIN DIMENSIONS	

DIMENSION STYLE	
IN/MM	
DRAWN BY	DATE
GGUSTAFS	2013/09/25
CHECKED BY	DATE
BARDEN	2013/11/28
APPROVED BY	DATE
BWOODMAN	2013/10/09
MATERIAL NO.	SEE CHART
SIZE	C

SCALE	DESIGN UNITS	THIRD ANGLE PROJECTION
NTS	INCH	
TITLE		
MIRCO CHANGE ULTRA LOCK 5P FEMALE/MALE ST/90D #22 PUR		
MOLEX INCORPORATED		SHEET NO.
DOCUMENT NO. SD-120080-071		1 OF 1
THIS DRAWING CONTAINS INFORMATION THAT IS PROPRIETARY TO MOLEX INCORPORATED AND SHOULD NOT BE USED WITHOUT WRITTEN PERMISSION		