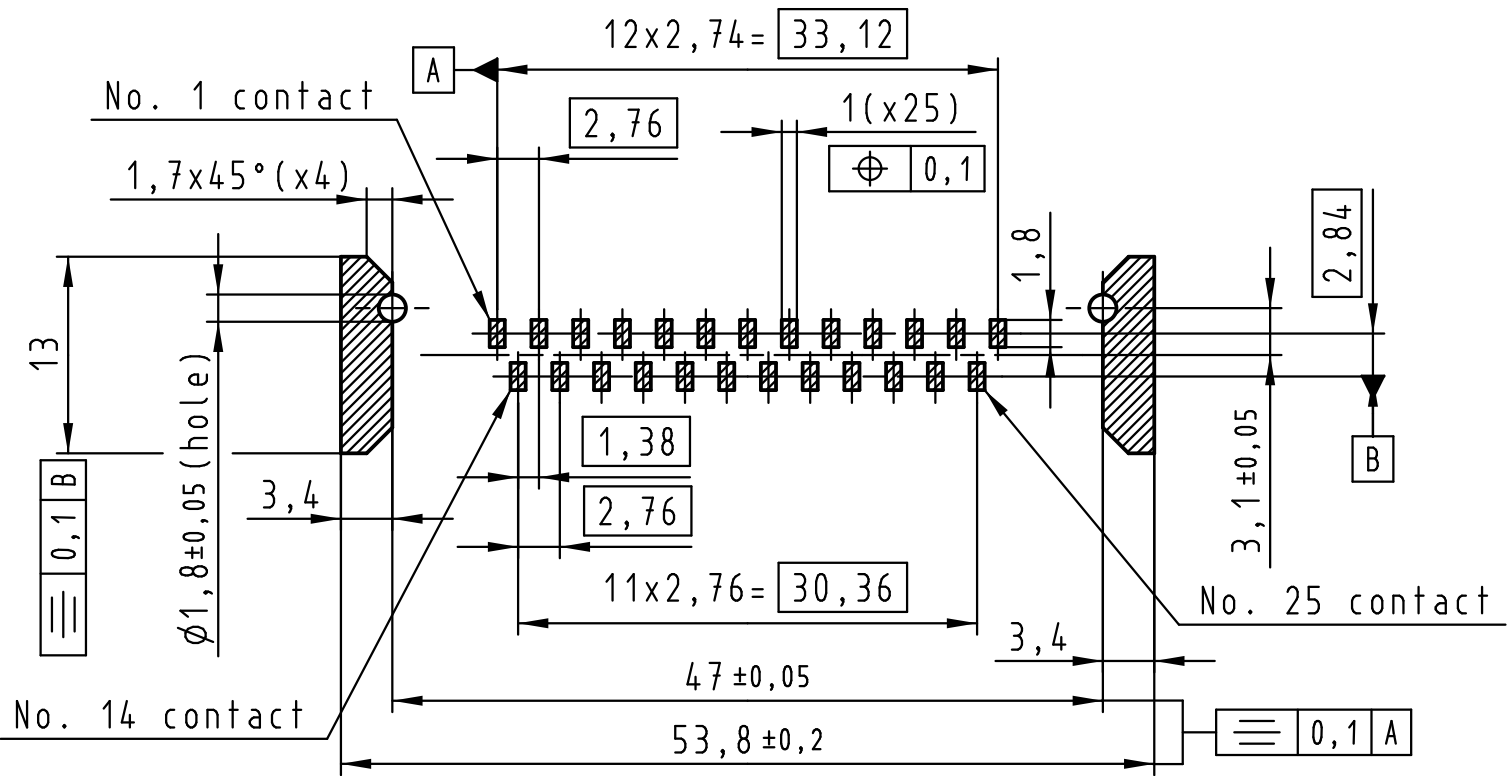
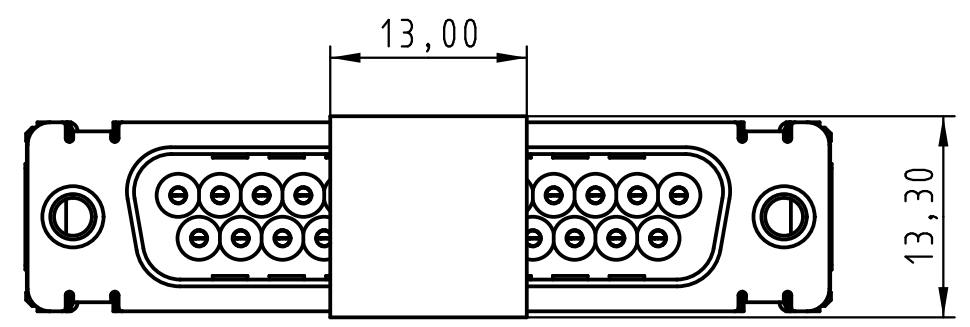
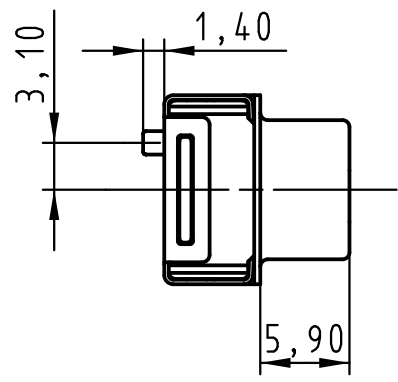
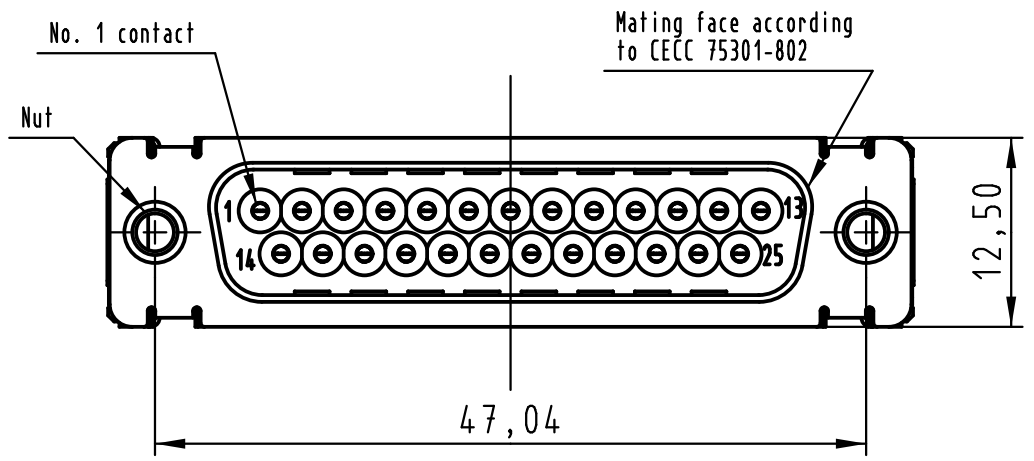
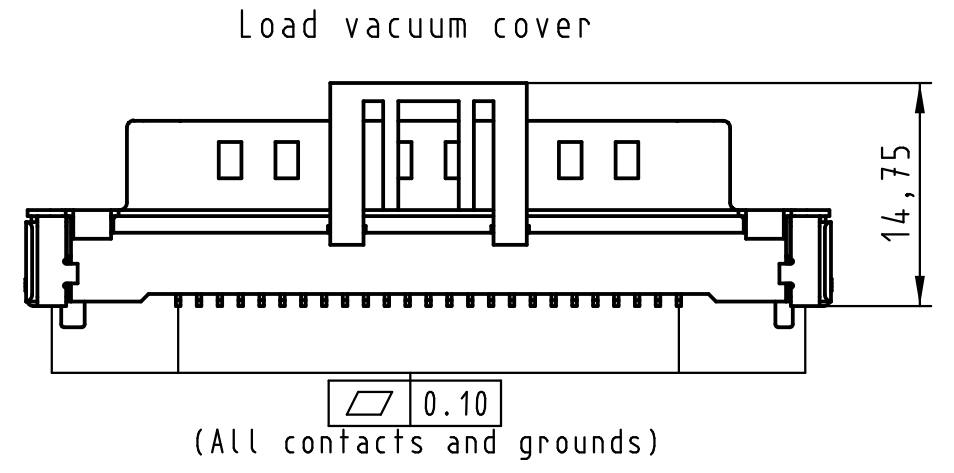
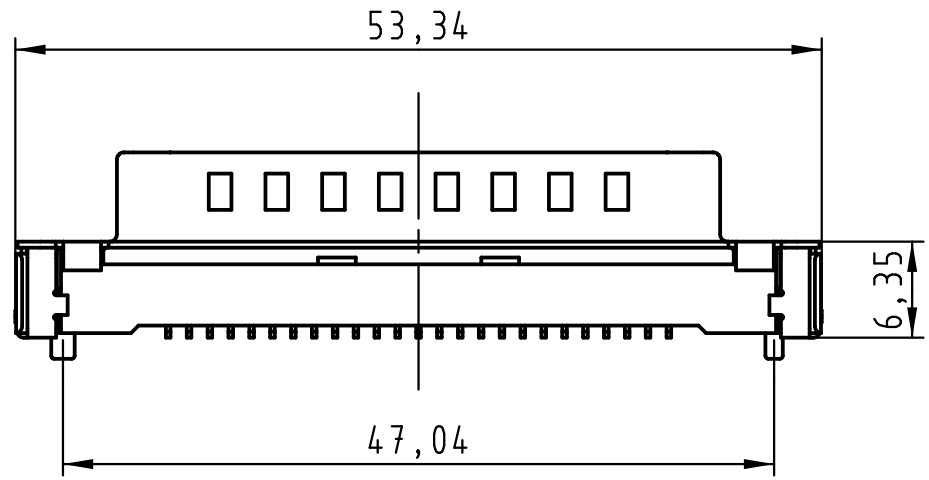


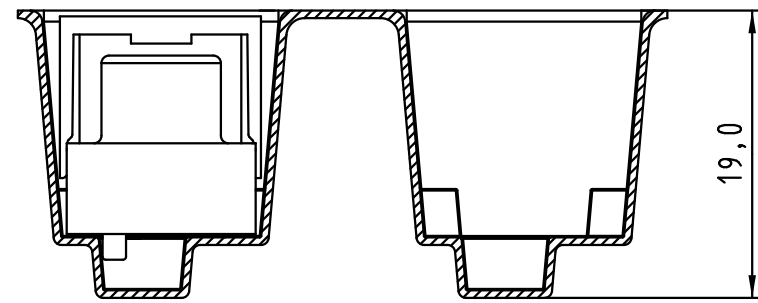
All rights reserved



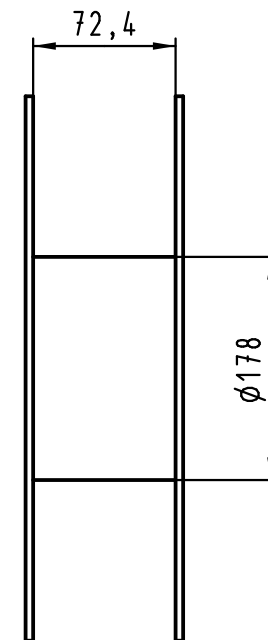
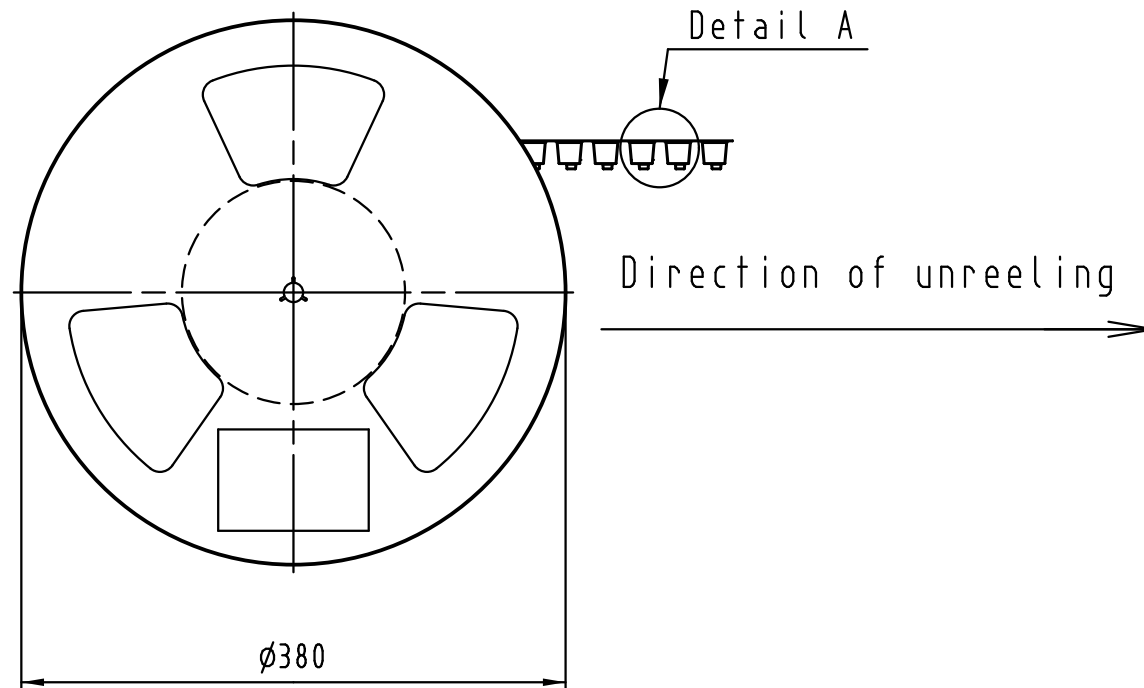
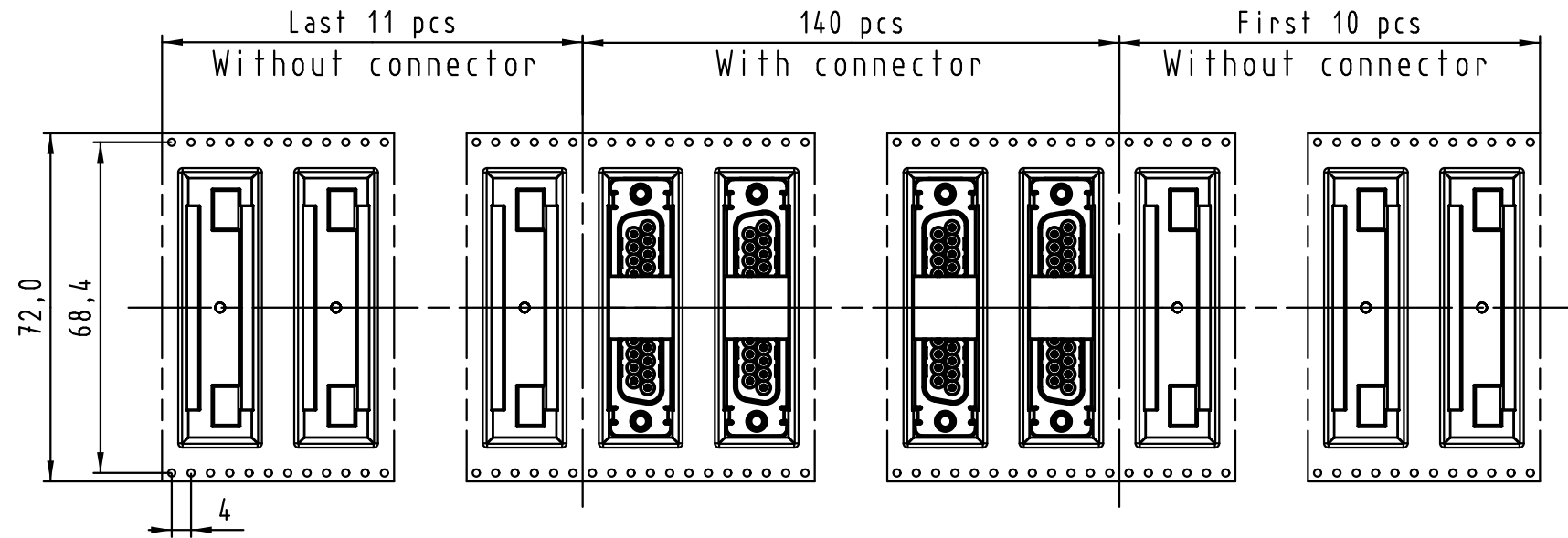
Max. Temperature: 260° during 10 seconds.

0955 329 3811 741	1	M3	Black insulator	Reel Packaging: 140 connectors (See details on page2/2)												
0955 329 3812 741	1	4-40 UNC														
0955 329 6811 741	2	M3														
0955 329 6812 741	2	4-40 UNC														
0955 329 7811 741	3	M3														
0955 329 7812 741	3	4-40 UNC														
Part number	PL	Nut	Index designation													
			Free size tolerances													
<table border="1"> <tr> <th colspan="2">Techn. Character.</th> <th rowspan="4">Scale 2:1</th> </tr> <tr> <td>Dat.</td> <td>Name</td> </tr> <tr> <td>Detail.</td> <td>25-Oct-11 Johnson.S</td> </tr> <tr> <td>Insp.</td> <td>17-Nov-11 Steven.W</td> </tr> <tr> <td>Stand.</td> <td>17-Nov-11 Steven.W</td> <td></td> </tr> </table>			Techn. Character.		Scale 2:1	Dat.	Name	Detail.	25-Oct-11 Johnson.S	Insp.	17-Nov-11 Steven.W	Stand.	17-Nov-11 Steven.W		D-Sub SMT, 25 poles Male, Straight with nuts and ground pads	
Techn. Character.		Scale 2:1														
Dat.	Name															
Detail.	25-Oct-11 Johnson.S															
Insp.	17-Nov-11 Steven.W															
Stand.	17-Nov-11 Steven.W															
EC04070 Mod.	17-Nov-11 Dat.	Johnson.S Name	Zhuhai HARTING Limited 	TB 09 55 329 x81x Sub.	Page 1/2											

PCB layout, component side



Detail A



See TB 09 55 329 x81x folio 1/2 for connector dimensions and PCB layout

Packaging in accordance with EIA 481-2.

0955 329 3811 741	1	M3	Black insulator	Reel Packaging: 140 connectors
0955 329 3812 741	1	4-40 UNC		
0955 329 6811 741	2	M3		
0955 329 6812 741	2	4-40 UNC		
0955 329 7811 741	3	M3		
0955 329 7812 741	3	4-40 UNC		
Part number	PL	Nut	Index designation	

All Dimensions in mm Original Size DIN A 3	Techn. Character.			Free size tolerances	
		Dat.	Name	Scale	
		Detail.	25-Oct-11 Johnson.S	D-Sub SMT, 25 poles Male, Straight with nuts and ground pads	
		Insp.	17-Nov-11 Steven.W		
	Stand.	17-Nov-11 Steven.W			
EC04070	17-Nov-11	Johnson.S	Zhuhai HARTING Limited		TB 09 55 329 x81x
Mod.	Dat.	Name			Page 2/2
			Sub.		

All rights reserved