

## MDB5 SERIES 5 WAY POWER DISTRIBUTION FUSE HOLDER

400A • 5 Cavities • Sealed



### Description

Sealed high current power distribution box using MIDI® and MEGA® type fuses. Designed to handle standard voltage (32V) and the new 70V (48V application) MIDI® and MEGA® fuses. Built for rugged environments, the MDB5 not only provides IP67/69K fuse sealing, but also seals all input and output connections.

### Features and Benefits

- Sealed high current distribution all connections are inside the seals
- Clean and protected distribution of high current power (vs individual holders)
- Versions for both 12/24V vehicles and 36/48V vehicles
- High continuous current capacity 400A
- Poke-Yoke mounting pattern for easier assembly

### Ordering Information

PART NUMBER	DESCRIPTION
07985001ZXS	MDB 5 Way 32VDC
07985002ZXS	MDB 5 Way 70VDC
07985003ZXS	MDB 5 Way 32VDC W/ Seal Kit
07985004ZXS	MDB 5 Way 70VDC W/ Seal Kit

\* AM Package contains the 890010830 Seal Kit

### Web Resources

Download 2D print, installation guide and technical resources at: [littelfuse.com/MDB5](http://littelfuse.com/MDB5)

### Specifications Overview

<b>Amperage:</b>	400A Max with two 50mm <sup>2</sup> Inputs 200A Max with one 50mm <sup>2</sup> Input
<b>Fuse Rating Range:</b>	30A - 500A
<b>Box Dimensions:</b>	173 (L) x 154 (W) x 50 (H)
<b>Voltage Rating:</b>	70V
<b>Connections:</b>	M5 – 32V MIDI® Fuses M6 – 70V MIDI® Fuses M8 – 32V & 70V MEGA® Fuses M8 Input
<b>Fuse Capacity:</b>	3 MIDI® & 2 MEGA®
<b>Fuse Terminal Torque:</b>	<b>MEGA®:</b> 32V 15±3Nm 70V 20±1Nm <b>MIDI®:</b> 32V 6±1 Nm 70V 9±1Nm
<b>Ingress Protection:</b>	IP67 & IP69K with seals installed
<b>Housing:</b>	UL94, V0
<b>Mounting Bolt:</b>	M6 (9±1Nm)
<b>Temperature Range</b>	-40°C TO 105°C
<b>Wire Sizes:</b>	<b>MEGA®:</b> 2 positions 16mm <sup>2</sup> , 25mm <sup>2</sup> , 35mm <sup>2</sup> <b>MIDI®:</b> 3 positions 6-10mm <sup>2</sup> , 10-16mm <sup>2</sup> <b>Input:</b> 50mm <sup>2</sup>

### Applications

- Material Handling
- Construction Vehicles
- Agricultural Vehicles
- Heavy Duty/Medium Duty Truck
- Truck Upfitters

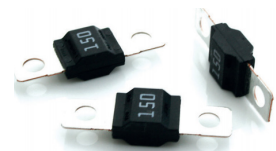
### Related Products



**MDB Series**  
200A • 2 or 3 Outputs • Sealed



**LTX Series**  
240A • 4 MEGA® • 2 MIDI®



**MEGA® and MIDI® Fuses**  
32V • 70V

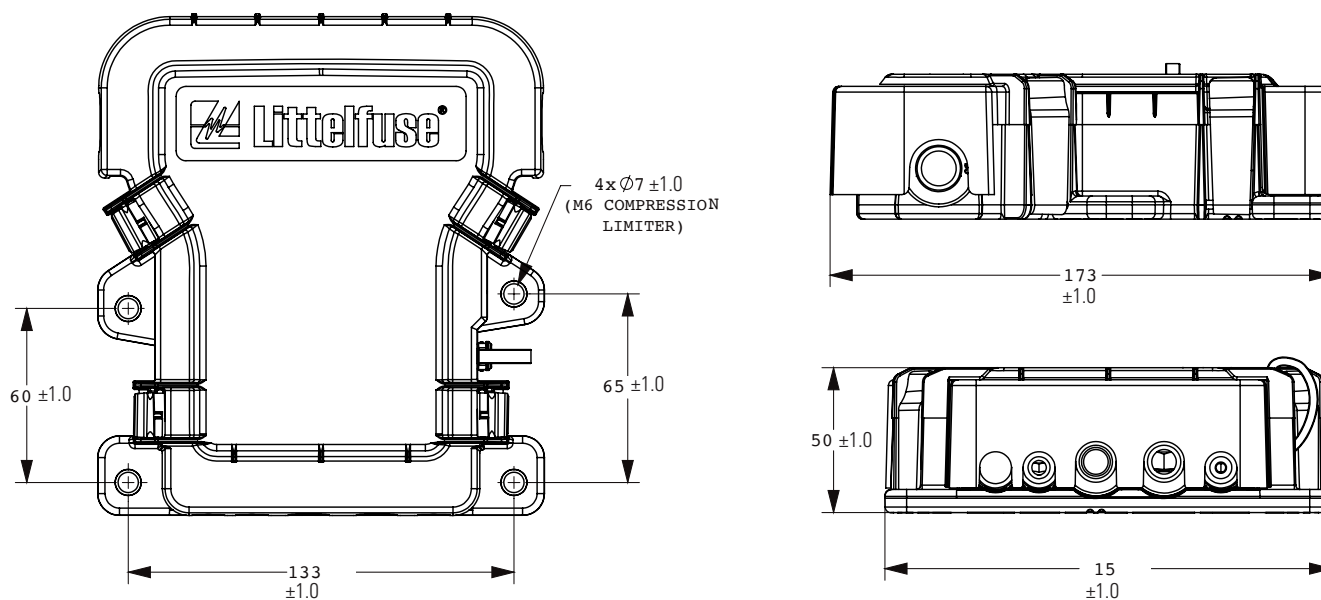
## MDB SERIES 5 WAY POWER DISTRIBUTION FUSE HOLDER

400A • 5 Cavities • Sealed

### Cable Seal Options for Openings

LOCATION	PART NAME	PART NUMBER	CABLE SIZE ISO 6722	QTY IN AM PACKAGING CABLE SEAL KIT (890010830)
INPUT CABLE SEAL	#50 Cable Seals	868-958	50mm <sup>2</sup>	2
INPUT 1 & 2	Blank 26.5 OD Cable Seal	901-532	NONE	1
LARGE OUTPUT CABLE SEAL	#16/2 Cable Seal	868-955	16mm <sup>2</sup>	0
	#25 Cable Seals	868-956	25mm <sup>2</sup>	0
	OUTPUT 3 & 4	#35 Cable Seals	868-957	2
	Blank 2 Seals	868-954	NONE	1
SMALL OUTPUT CABLE SEAL	Cable Seal 10-16mm <sup>2</sup>	0HBFA001SEALB	10-16mm <sup>2</sup>	3
	Cable Seal 6-10mm <sup>2</sup>	0HBFA001SEALY	6-10mm <sup>2</sup>	0
OUTPUT 1,2,5	Cable Seal Blind	0HBFA001SEALC	NONE	2

### Dimensions in millimeters



Visit [Littelfuse.com](http://Littelfuse.com) for the most up-to-date product information. Littelfuse reserves the right to make product changes, without notice. Material in this document is as accurate as known at the time of publication.