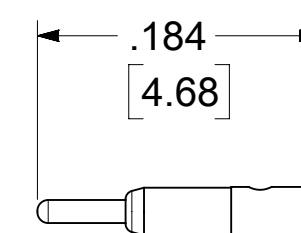
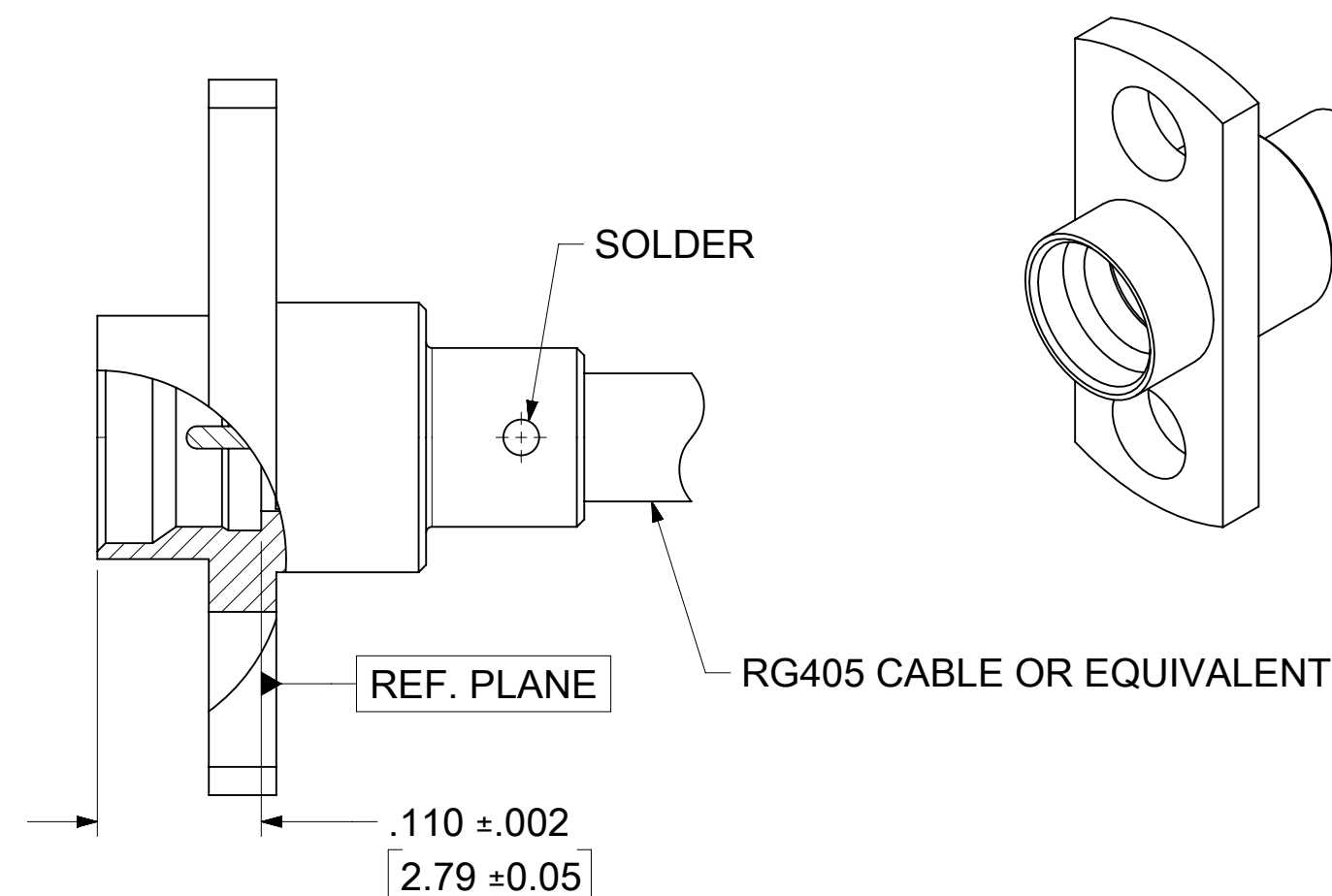
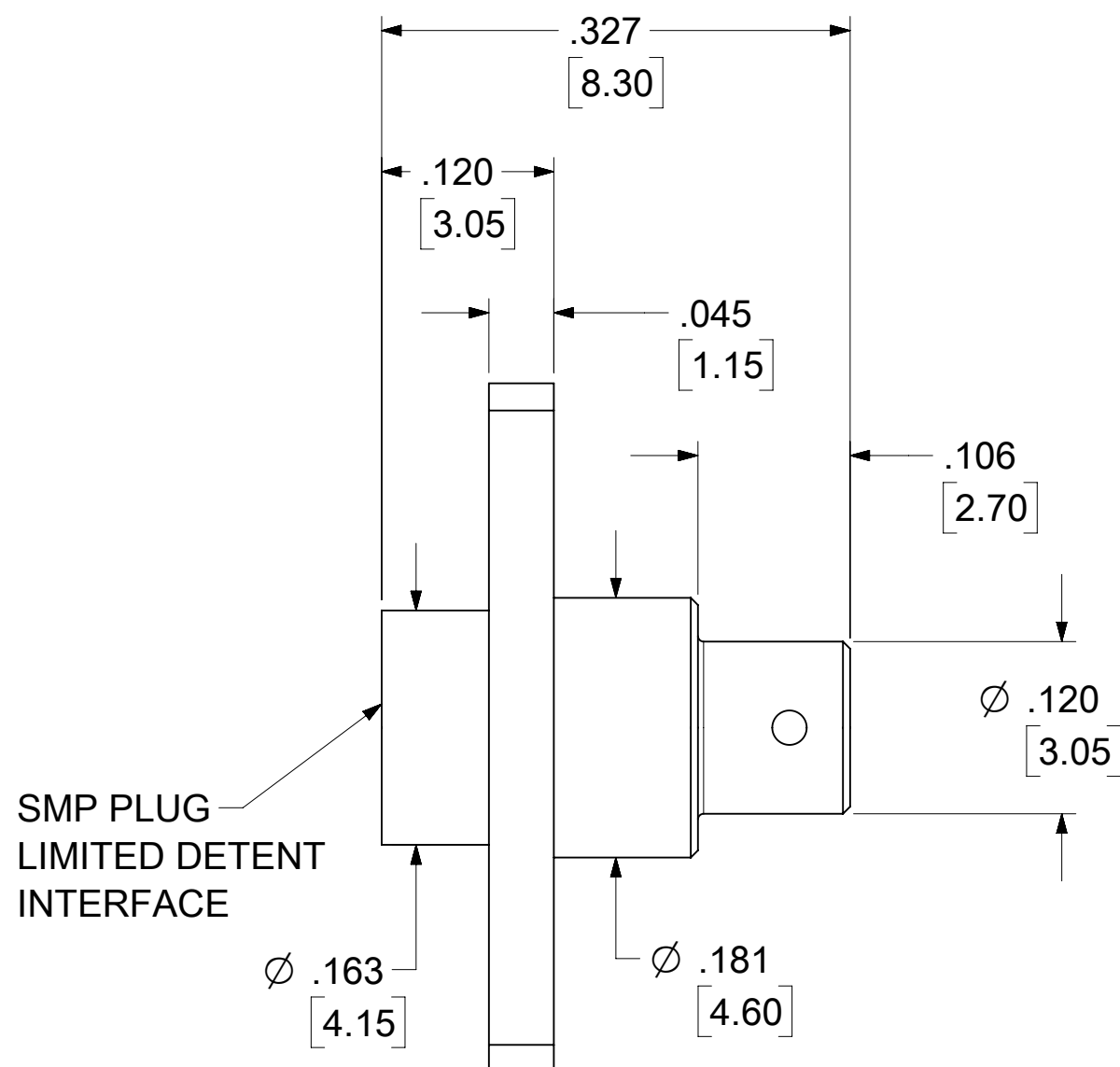
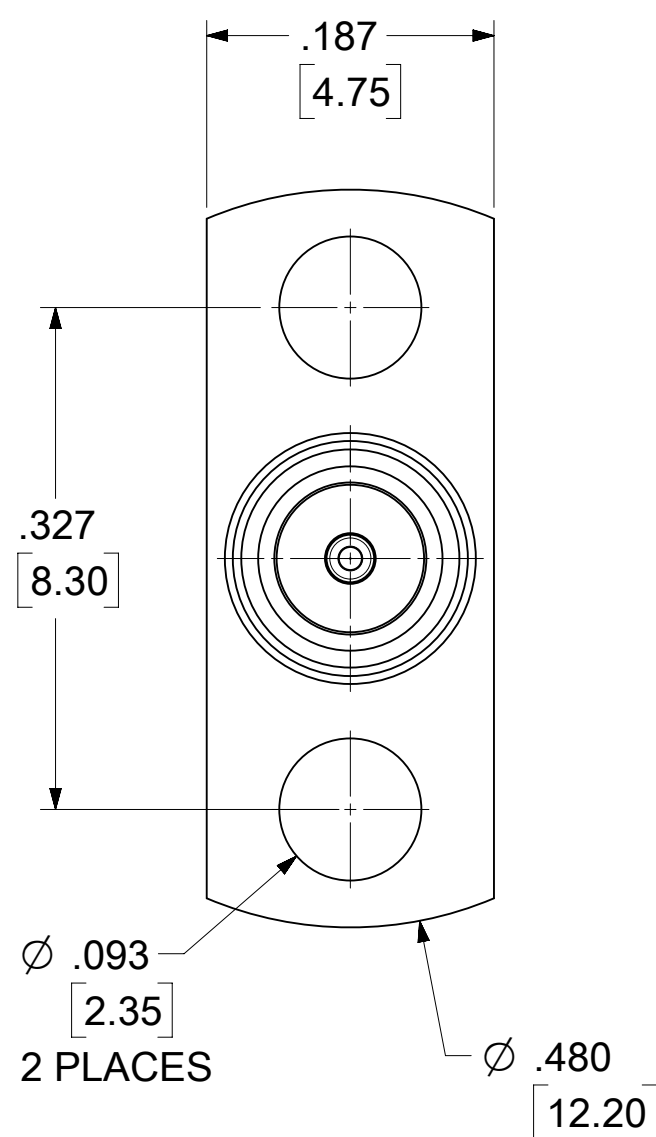


MATERIALS AND FINISHES:

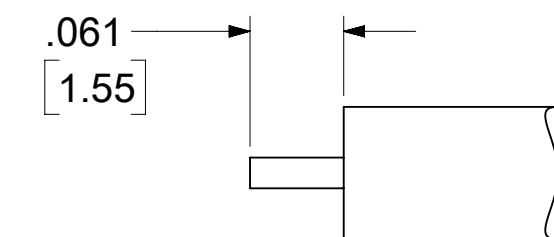
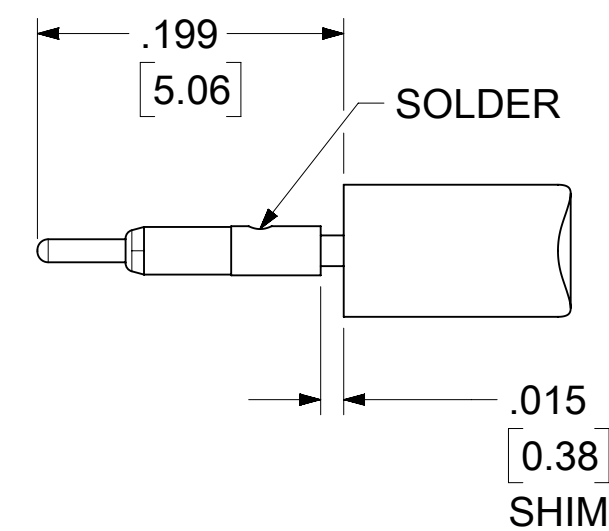
BODY: SEE TABLE
PLATED GOLD

CENTER CONTACT: BRASS
PLATED GOLD

INSULATOR: TEFLON



CONTACT



RECOMMENDED STRIP DIMENSIONS

73406-6213	BRASS	ONE PER BAG	895420470
73406-6212	STAINLESS STEEL	ONE PER BAG	895420470
73406-6211	BRASS	TRAY	895420063
73406-6210	STAINLESS STEEL	TRAY	895420063
PART NO.	BODY MATERIAL	PACKAGING	PACKING SPEC

LABEL WITH EACH BAG
FOR 73406-6212 & -6213

MOLEX P/N: 73406-6212
DATE: YYWW

MOLEX P/N: 73406-6213
DATE: YYWW

MIL-STD-348A, FIG. 326.3	INTERFACE
SPECIFICATION	DESCRIPTION

FUNCTIONAL SYMBOLS	THIS DRAWING CONTAINS INFORMATION THAT IS PROPRIETARY TO MOLEX ELECTRONIC TECHNOLOGIES, LLC AND SHOULD NOT BE USED WITHOUT WRITTEN PERMISSION							
	$\frac{F}{A} = 0$ $\frac{F}{C} = 0$ $\frac{F}{P} = 0$	DIMENSION UNITS: IN/MM SCALE: NTS			CURRENT REV DESC: ADD 73406-6212, -6213 FOR SMALL PACK PER EWR15321-D EC NO: 718352 DRWN: CWEI02 2022/08/16 CHK'D: YCHENG 2022/08/23 APPR: YCHENG 2022/08/23	SMP PLUG LD RG405 2 HOLE FLANGE 50 OHMS SMP-PC, EWR-4244		
DIVISIONAL SYMBOLS	GENERAL TOLERANCES (UNLESS SPECIFIED)		PRODUCT CUSTOMER DRAWING					
	ANGULAR TOL $\pm 2.0^\circ$ 4 PLACES \pm 3 PLACES \pm 2 PLACES \pm 1 PLACE \pm 0 PLACES \pm		INITIAL REVISION: DRWN: JYL 2009/11/06 APPR: JWIENER 2010/02/18					
DRAFT WHERE APPLICABLE MUST REMAIN WITHIN DIMENSIONS		THIRD ANGLE PROJECTION	DRAWING	SERIES	DOCUMENT NUMBER	DOC TYPE	DOC PART	REVISION
			C-SIZE	73406	SD-73406-621	PSD	001	A2
					SEE TABLE	GENERAL MARKET		1 OF 1