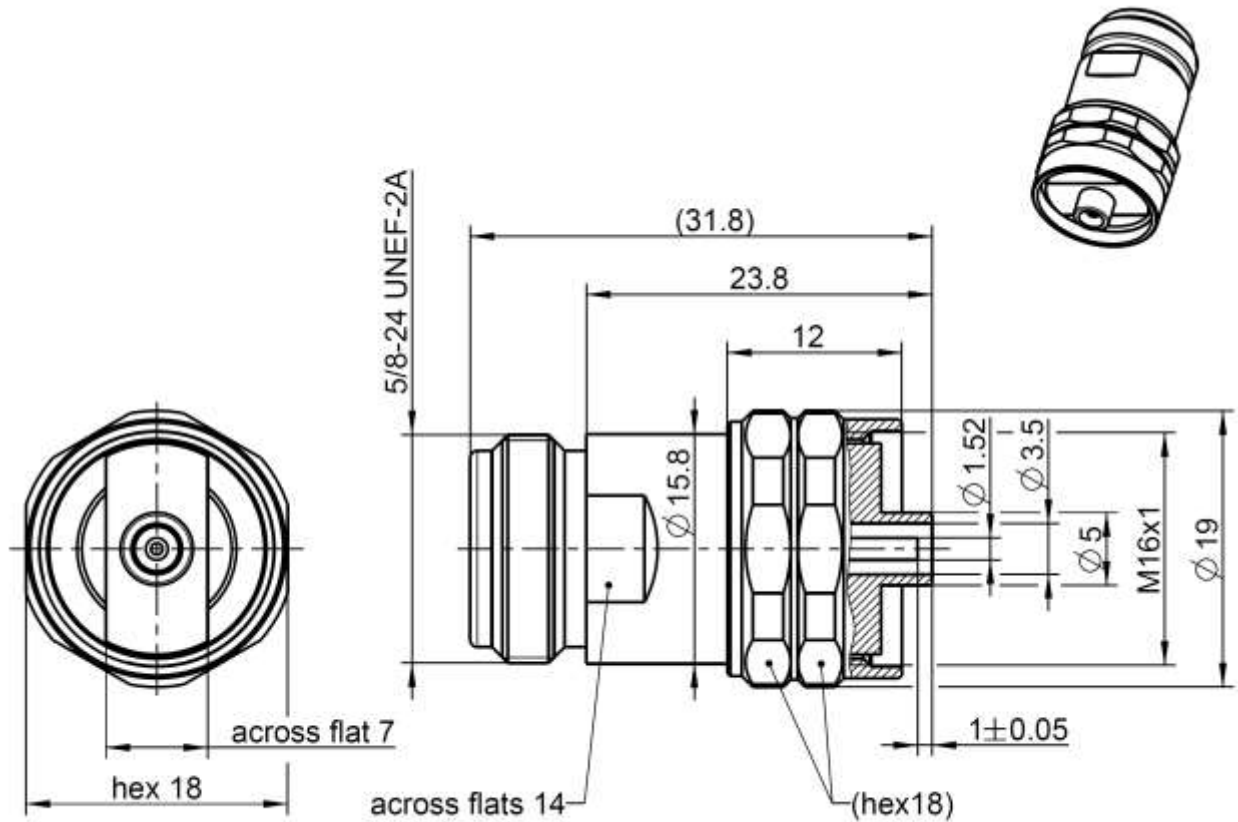


# Technical Data Sheet

# Rosenberger

Adaptor  
RPC-N 50 Ω Jack – RPC-SL Plug

**05K104-S0AS3**



All dimensions are in mm; tolerances according to ISO 2768 m-H

### Interface

RPC-N according to  
RPC-SL

IEC 61169-16 ; CECC 22 210 ; MIL-STD 348A/402  
Interchangeable port connector system

### Documents

N/A

### Material and plating

#### Connector parts

Center contact  
Outer contact RPC-N  
Outer contact RPC-SL  
Coupling nut  
Dielectric

#### Material

CuBe  
Stainless steel  
Stainless steel  
Stainless steel  
PPE

#### Plating

Gold, min. 1.27 µm, over chemical nickel  
Passivated  
Gold, 0.1 µm min.  
Passivated

# Technical Data Sheet

# Rosenberger

Adaptor  
RPC-N 50  $\Omega$  Jack – RPC-SL Plug

**05K104-S0AS3**

## Electrical data

Impedance	50 $\Omega$
Frequency	DC to 18 GHz
Return loss	$\geq 21$ dB, DC to 18 GHz
Insertion loss	$\leq 0.05 \times \sqrt{f(\text{GHz})}$ dB
Insulation resistance	$\geq 5$ G $\Omega$
Center contact resistance RPC-N	$\leq 1.0$ m $\Omega$
Outer contact resistance RPC-N	$\leq 1.0$ m $\Omega$
Center contact resistance RPC-SL	$\leq 3.0$ m $\Omega$
Outer contact resistance RPC-SL	$\leq 2.0$ m $\Omega$
Test voltage	1000 V rms
Working voltage	335 V rms
RF-leakage	$\geq 90$ dB up to 1 GHz

## Mechanical data

Mating cycles RPC-N	$\geq 500$
Mating cycles RPC-SL	$\geq 3000$
Center contact captivation	$\geq 28$ N
Coupling test torque RPC-N	1.70 Nm
Recommended torque RPC-N	0.70 Nm to 1.10 Nm
Recommended torque RPC-SL	2 Nm

## Environmental data

Temperature range	-40°C to +85°C
Thermal shock	IEC 61169-1, Subclause 9.4.4
Corrosion	IEC 61169-1, Subclause 9.4.6
Vibration	IEC 61169-1, Subclause 9.3.3
Shock	IEC 61169-1, Subclause 9.3.14
Moisture resistance	IEC 61169-1, Subclause 9.4.3
RoHS	compliant

## Tooling

N/A

## Suitable cables

N/A

## Packing

Standard	1 pce in box
Weight	33.7 g/pce

While the information has been carefully compiled to the best of our knowledge, nothing is intended as representation or warranty on our part and no statement herein shall be construed as recommendation to infringe existing patents. In the effort to improve our products, we reserve the right to make changes judged to be necessary.

Draft	Date	Approved	Date	Rev.	Engineering change number	Name	Date
Scherbauer M.	05.12.14	Andorfer S.	05.09.18	a00	18-s320	Plötz A.	04.09.18

Rosenberger Hochfrequenztechnik GmbH & Co. KG P.O.Box 1260 D-84526 Tittmoning Germany <a href="http://www.rosenberger.de">www.rosenberger.de</a>	Tel. : +49 8684 18-0 Email : <a href="mailto:info@rosenberger.de">info@rosenberger.de</a>	Page 2 / 2
--	--	---------------