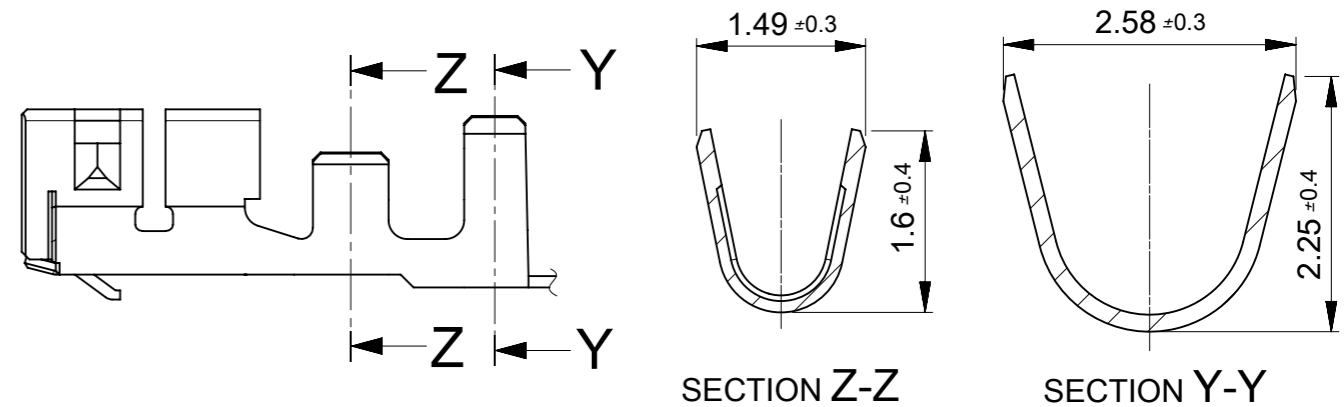


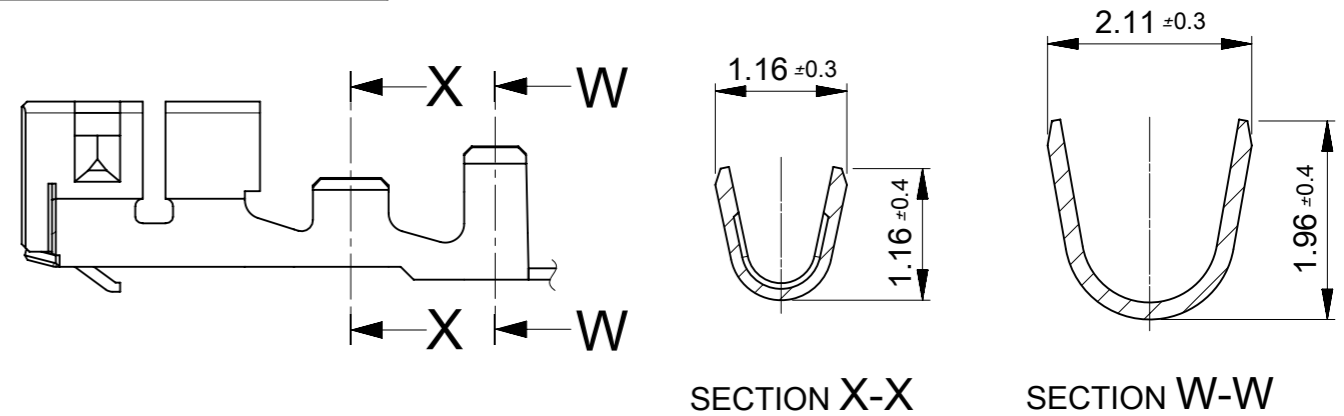
NOTES

- △1 材料及び仕上げ(めっき仕様) : TABLE 1参照
MATERIAL AND FINISH : SEE TABLE 1
- △2 製品仕様書、アプリケーション仕様書、
適合ハウジングはSHEET 2を御参照下さい
PLEASE REFER TO SHEET 2 FOR PRODUCT SPECIFICATION,
APPLICATION SPECIFICATION, APPLY HOUSING.

561349001 形状
THE SHAPE OF 561349001



561349002 形状
THE SHAPE OF 561349002



△1 TABLE 1

部品 PART		材質 MATERIAL
ターミナル TERMINAL	MATERIAL	銅合金 COPPER ALLOY
	めっき PLATING	錫めっき : 0.9 micro-meter MIN. MATTE TIN REFLOW TREATMENT (PRE-PLATING)

DOCUMENT STATUS	P1	RELEASE DATE	2020/07/10	12:27:24
-----------------	----	--------------	------------	----------

Φ0.88 - 1.30mm	AWG #26-28	リール	561349002	連鎖状
Φ1.10 - 1.60mm	AWG #22-24	REEL	561349001	CHAIN
絶縁被覆外径範囲 INS. RANGE	適用電線範囲 WIRE RANGE	梱包形態 PACKAGING	発注番号 ORDER No.	端子形状 FORM

THIS DRAWING CONTAINS INFORMATION THAT IS PROPRIETARY TO MOLEX ELECTRONIC TECHNOLOGIES, LLC AND SHOULD NOT BE USED WITHOUT WRITTEN PERMISSION		CURRENT REV DESC:		molex	
DIMENSION UNITS	SCALE				
mm	NTS			PRODUCT CUSTOMER DRAWING	
GENERAL TOLERANCES (UNLESS SPECIFIED)		EC NO: 641153		DOCUMENT NUMBER	
ANGULAR TOL	± 3.0 °	DRWN: KYAMADA02		561340000-SD	
4 PLACES	± 0.2	CHK'D: AIDA		DOC TYPE	
3 PLACES	± 0.2	APPR: SAKIYAMA		PSD	
2 PLACES	± 0.2	INITIAL REVISION:		DOC PART	
1 PLACE	± 0.2	DRWN: KYAMADA02		000	
0 PLACES	± 0.2	APPR: SAKIYAMA		A	
DRAFT WHERE APPLICABLE MUST REMAIN WITHIN DIMENSIONS		THIRD ANGLE PROJECTION	DRAWING	SERIES	SHEET NUMBER
			A3-SIZE	56134	1 OF 2

△ 適用製品及び各種仕様書
 APPLICABLE PRODUCTS AND VARIOUS SPECIFICATIONS

梱包仕様書 PACKING SPECIFICATION	PART NUMBER	SPECIFICATION NUMBER
	561349001 561349002	SPK-56134-001

適応ハウジング APPLY HOUSING	SINGLE TYPE	
シリーズ番号 SERIES NUMBER	205979	
適応嵌合相手 MATE WITH	SMT	
	VERTICAL	RIGHT ANGLE
シリーズ番号 SERIES NUMBER	205971	205972
製品仕様書 PRODUCT SPECIFICATION	2059790000-PS 000	
取扱仕様書 APPLICATION SPECIFICATION	2059790000-AS 000	

製品嵌合図は各嵌合相手図面参照のこと
 MATING VIEW:REFER TO EACH "MATE WITH" PART DRAWING.

THIS DRAWING CONTAINS INFORMATION THAT IS PROPRIETARY TO MOLEX ELECTRONIC TECHNOLOGIES, LLC AND SHOULD NOT BE USED WITHOUT WRITTEN PERMISSION									
DIMENSION UNITS	SCALE	CURRENT REV DESC:					molex		
mm	NTS								
GENERAL TOLERANCES (UNLESS SPECIFIED)							2.0 WIRE TO BOARD CONN. CRIMP RECEPTACLE		
ANGULAR TOL	± 3.0 °						PRODUCT CUSTOMER DRAWING		
4 PLACES	± 0.2	EC NO: 641153							
3 PLACES	± 0.2	DRWN: KYAMADA02			2019/09/24				
2 PLACES	± 0.2	CHK'D: AIDA			2020/07/10				
1 PLACE	± 0.2	APPR: SAKIYAMA			2020/07/10				
0 PLACES	± 0.2	INITIAL REVISION:							
		DRWN: KYAMADA02			2019/03/28	DOCUMENT NUMBER	DOC TYPE	DOC PART	REVISION
		APPR: SAKIYAMA			2020/07/10	561340000-SD	PSD	000	A
DRAFT WHERE APPLICABLE MUST REMAIN WITHIN DIMENSIONS	THIRD ANGLE PROJECTION	DRAWING	SERIES	MATERIAL NUMBER	CUSTOMER	SHEET NUMBER			
		A3-SIZE	56134	SEE TABLE	GENERAL	2 OF 2			

DOCUMENT STATUS	P1	RELEASE DATE	2020/07/10	12:27:24
-----------------	----	--------------	------------	----------