



Main

Range of Product	Altivar Lexium
Product or Component Type	EMC input filter
Range Compatibility	Altivar 32 Altivar Machine ATV340 Lexium 32 Altivar Machine ATV320 Lexium 28 Lexium 52
Product compatibility	LXM28A ATV32, 380...500 V, 0.37...1.5 kW LXM32, three-phase, line current 1.2...8.7 A Variable speed drive ATV320...B 0.37 kW, 380...500 V, three phase Variable speed drive ATV320...B 0.55 kW, 380...500 V, three phase Variable speed drive ATV320...B 0.75 kW, 380...500 V, three phase Variable speed drive ATV320...B 1.1 kW, 380...500 V, three phase Variable speed drive ATV320...B 1.5 kW, 380...500 V, three phase Variable speed drive ATV320...B 2.2 kW, 380...500 V, three phase Variable speed drive ATV320...B 3 kW, 380...500 V, three phase Variable speed drive ATV320...B 4 kW, 380...500 V, three phase Variable speed drive ATV340 0.75 kW, 380...480 V Variable speed drive ATV340 1.5 kW, 380...480 V
Product Specific Application	Radio interference input filter
Mounting Location	At variable speed drive side
Phase	Three phase

Complementary

Maximum cable distance between devices	65.62 Ft (20 m) IEC 61800-3 category C1 164.04 Ft (50 m) IEC 61800-3 category C2 328.08 ft (100 m) IEC 61800-3 category C3
Line Rated Current	15 A
Thermal losses	9.9 W
Network rated voltage	380...500 V
Tolerance	- 15...10 %
Net Weight	1.98 lb(US) (0.9 kg)
Emc filter compatibility	Type 022

Ordering and shipping details

Category	22152-ATV320/ATV312/ATV32 (.25 THRU 7.5HP)
Discount Schedule	CP4B
GTIN	3606480166891
Nbr. of units in pkg.	1
Package weight(Lbs)	33.02 oz (936.0 g)
Returnability	No
Country of origin	TH

Packing Units

Unit Type of Package 1	PCE
Package 1 Height	2.05 in (5.2 cm)
Package 1 width	6.22 in (15.8 cm)
Package 1 Length	9.13 in (23.2 cm)
Unit Type of Package 2	P06
Number of Units in Package 2	80
Package 2 Weight	192.68 lb(US) (87.4 kg)
Package 2 Height	28.94 in (73.5 cm)
Package 2 width	23.62 in (60.0 cm)
Package 2 Length	31.50 in (80.0 cm)

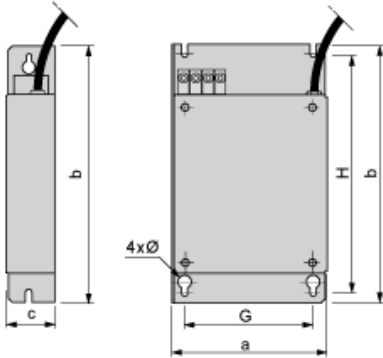
Offer Sustainability

California proposition 65	WARNING: This product can expose you to chemicals including: Lead and lead compounds, which is known to the State of California to cause cancer and birth defects or other reproductive harm. For more information go to www.P65Warnings.ca.gov
REACH Regulation	REACH Declaration
REACH free of SVHC	Yes
EU RoHS Directive	Pro-active compliance (Product out of EU RoHS legal scope) EU RoHS Declaration
Toxic heavy metal free	Yes
Mercury free	Yes
RoHS exemption information	Yes
China RoHS Regulation	China RoHS Declaration

Contractual warranty

Warranty	18 months
----------	-----------

Additional EMC Input Filters



Dimensions in mm

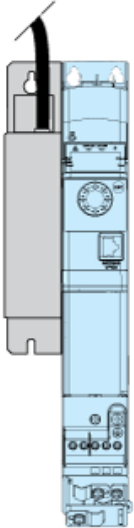
a	b	c	G	H	Ø
107	195	42	85	180	4.5

Dimensions in in.

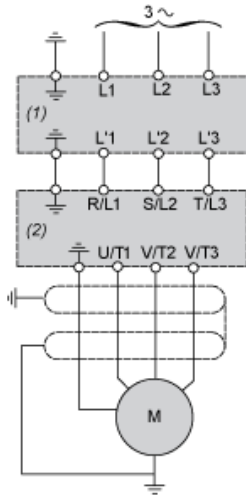
a	b	c	G	H	Ø
4.21	7.68	1.65	3.35	7.09	0.18

Mounting Recommendations

Mounting the Filter on the Side of the Drive



Recommended Schema



- (1) Filter
- (2) Drive