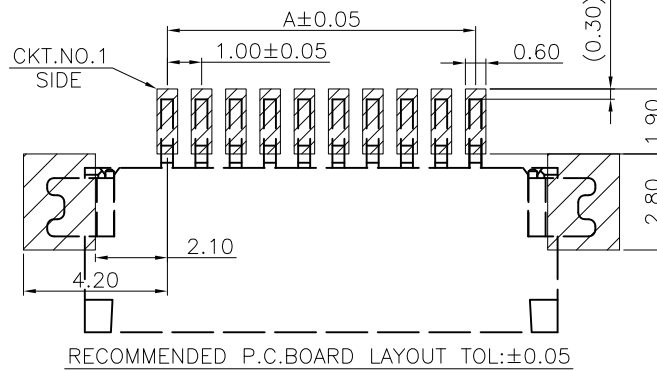
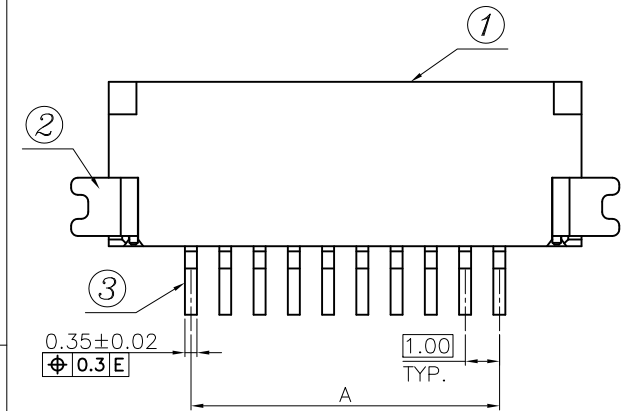
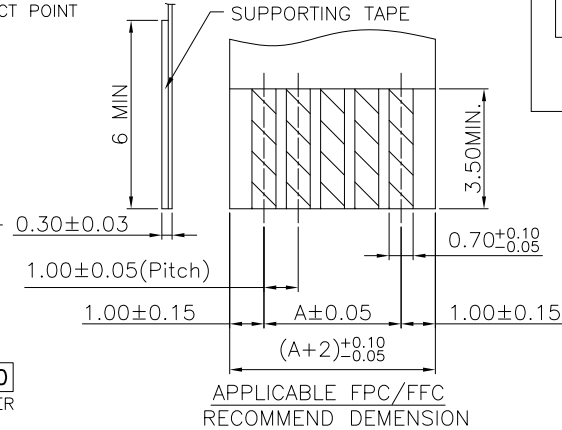
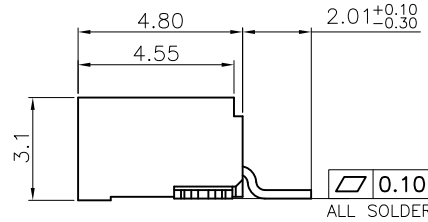
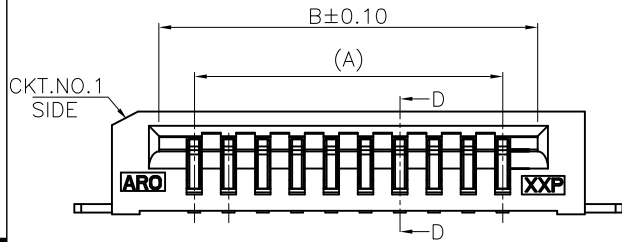
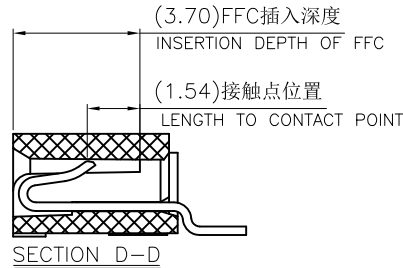
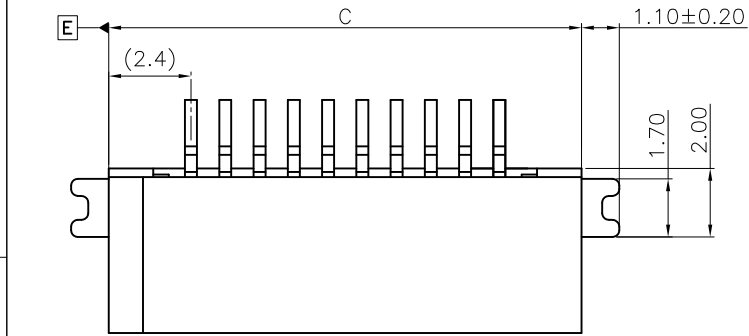


Halogen-free

REV.	ECR/ECN No.	DESCRIPTION	DRAWN/DATE	CHECKED/DATE	APPROVED/DATE
B	/	New gold-plated specification	May 2018-11-27	Rain 2018-11-27	Hongkui.liu 2018-11-27
C	/	Add the black housing	May 2020-06-30	Rain 2020-06-30	Hongkui.liu 2020-06-30
D	/	Add gold-plated specification	May 2020-08-21	Rain 2020-08-21	Hongkui.liu 2020-08-21

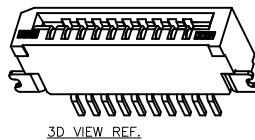
NOTE:
 1.ALL MATERIAL MUST BE COMPLY WITH SS-00259 OR RoHS.
 2.PART ON. LEGEND:
 F519-1*7*1-110**-E200
 NO. OF POSITIONS
 7A:2~4um TIN
 7Q:GOLD FLASH
 7H: 0.05um Au Min.
 1A:LCP NATURAL
 1B:LCP BLACK



DIMENSION LIST:

NO. OF POS.	A	B	C	NO. OF POS.	A	B	C
3	2.0	4.05	6.8	17	16.0	18.05	20.8
4	3.0	5.05	7.8	18	17.0	19.05	21.8
5	4.0	6.05	8.8	19	18.0	20.05	22.8
6	5.0	7.05	9.8	20	19.0	21.05	23.8
7	6.0	8.05	10.8	21	20.0	22.05	24.8
8	7.0	9.05	11.8	22	21.0	23.05	25.8
9	8.0	10.05	12.8	23	22.0	24.05	26.8
10	9.0	11.05	13.8	24	23.0	25.05	27.8
11	10.0	12.05	14.8	25	24.0	26.05	28.8
12	11.0	13.05	15.8	26	25.0	27.05	29.8
13	12.0	14.05	16.8	27	26.0	28.05	30.8
14	13.0	15.05	17.8	28	27.0	29.05	31.8
15	14.0	16.05	18.8	29	28.0	30.05	32.8
16	15.0	17.05	19.8	30	29.0	31.05	33.8

NO.	COMPONENTS	MATERIALS	FINISH/COLOR SPECIFICATION	QTY
1	Housing	LCP,UL94V-0	NATURAL	1
2	Anchor plate	Brass,T=0.25mm	Surface Plating:2~4um TIN. Under Plating:1~3um Ni	2
3	Contact	PHOSPHOR BRONZE T=0.25mm	Surface Plating:2~4um TIN. Under Plating:1~3um Ni	N

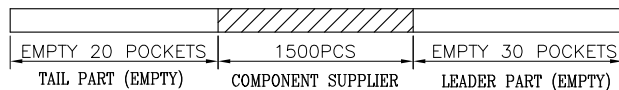
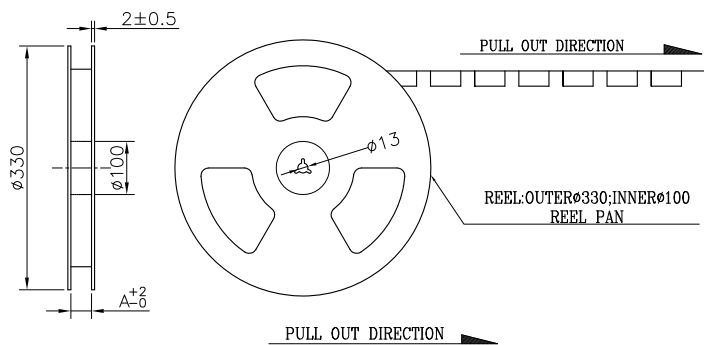
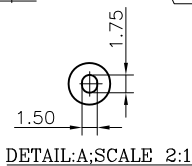
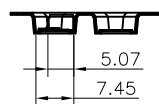
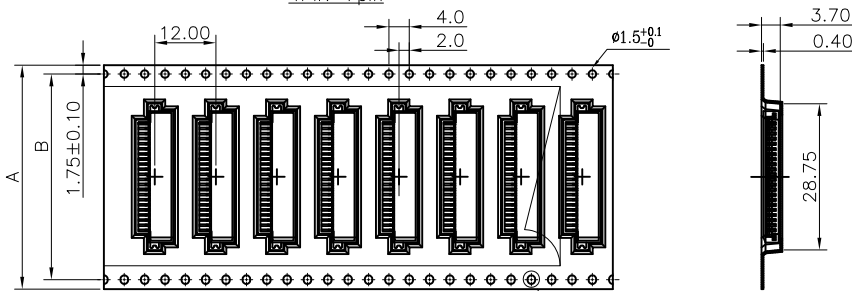
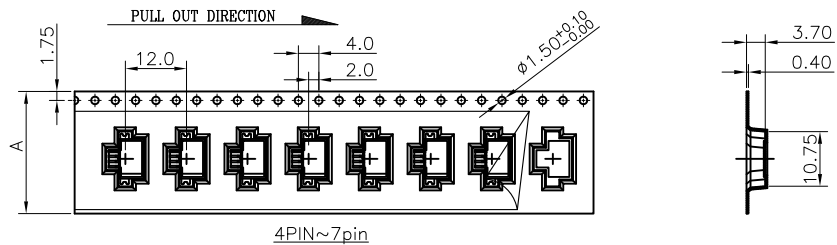


UNLESS OTHERWISE SPECIFIED TOLERANCES				ANGLE OF PROJECTION	
X.	±0.30	X. '	± 5'		
X.X	±0.25	X.X '	± 4'		
X.XX	±0.20	X.XX '	± 3'	DOC TYP Customer Drw	
X.XXX	±0.15	X.XXX '	± 2'	DRAWN DATE	May 2017-12-08
LINEAR DIMS		ANGLES DIMS		DESIGN DATE	May 2017-12-08
DWG NO.: A-S0472				CHECKED DATE	Rain 2017-12-08
MATERIAL		SEE NOTES		APPROVED DATE	Hongkui.liu 2017-12-08
FINISHED		SEE NOTES			

Amphenol AORORA
 Amphenol Aorora Technology (Huizhou) Co.,Ltd

TITLE:		PART NUMBER:		REV.
Assembly Drawing For FFC/FPC P1.0 NON-ZIF HORIZONTAL TYPE SMT SERIES (BOTTOM CONTACT)		F519-1*7*1-110**-E200		D
SCALE	5:1	UNIT : mm	SHEET 1 OF 2	

This document is the property of and embodies CONFIDENTIAL and PROPRIETARY information of AOR. No part of the information shown on this document may be used in any way or disclosed to others without the written consent of AOR. © 2019 AOR

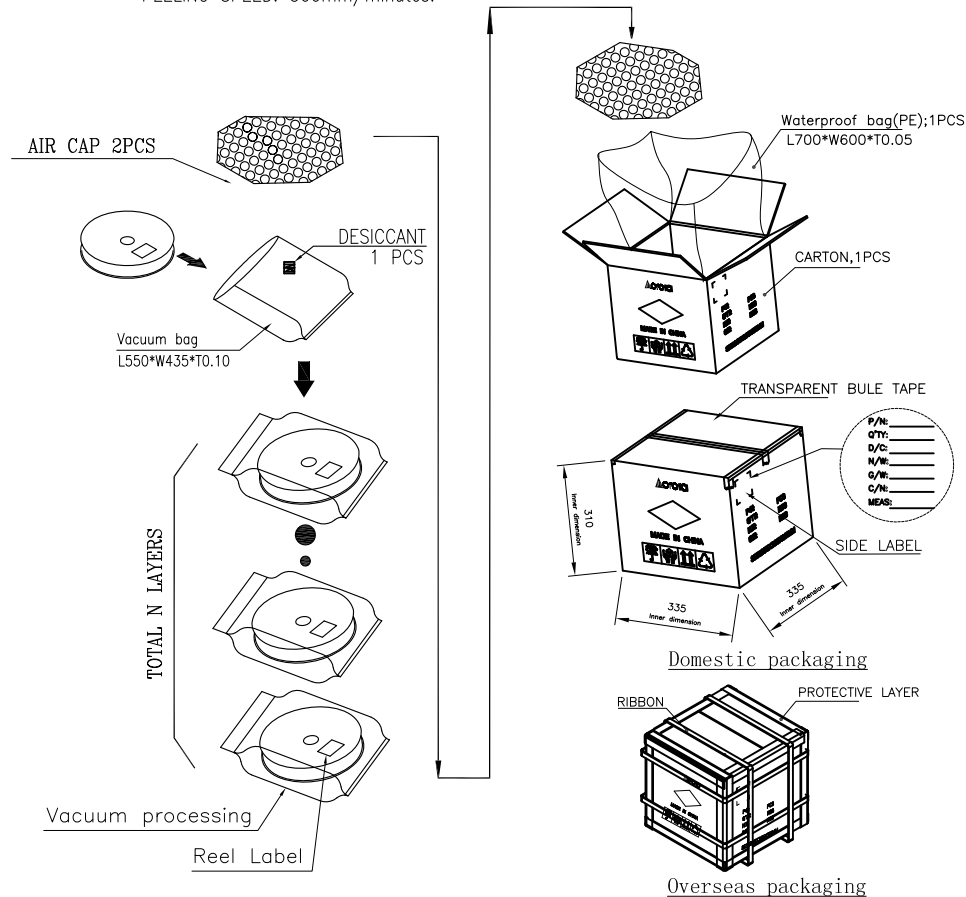


5. QTY LIST:

DIM	NO.	4~7pin	8~14pin	15&22pin	23&30pin
A		24.00	32.00	44.00	56.00
B		14.20	28.40	40.40	52.40
N		10	8	6	5
TOTAL(PCS)		15,000	12,000	9,000	7,500

NOTES:

- MATERIAL:
 - CARRY TAPE:HIPS,T=0.40mm,CLEAR
 - REEL:HIPS,BLUE.
 - SHIM:PE,CLEAR.
- PRIMARY PACKING:1500PCS/REEL.
- SECONDARY PACKING:"N"REELS/CARTON ("TOTAL"=N*1500/CARTON).
- PEELING RESISTANCE: 0.1N~0.7N(10~70gf);
PEELING ANGLE: 165°~180°;
PEELING SPEED: 300mm/minutes.



UNLESS OTHERWISE SPECIFIED TOLERANCES				ANGLE OF PROJECTION		Amphenol AORORA	
X	±0.30	X *	± 5'			Amphenol Aorora Technology (Huizhou) Co.,Ltd	
X.X	±0.25	X.X *	± 4'			TITLE: FPC/FCC P1.0 HORIZONTAL NON-ZIF (BOTTOM CONTACT) SMT TYPE PACKING	
X.XX	±0.20	X.XX *	± 3'	DOC TYP	Customer Drw	DRAWN DATE May 2017-12-08	
X.XXX	±0.15	X.XXX *	± 2'	DESIGN DATE	May 2017-12-08	SIZE	PART NUMBER: F519-1*7*1-110**-E200
DWG NO.:	A-S0472			CHECKED DATE	Rain.Han 2017-12-08	A4	REV. D
MATERIAL	SEE NOTES			APPROVED DATE	Leo.Liu 2017-12-08	SCALE	1:1
FINISHED	SEE NOTES					UNIT : mm	SHEET 2 OF 2