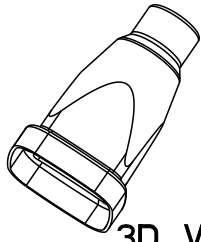
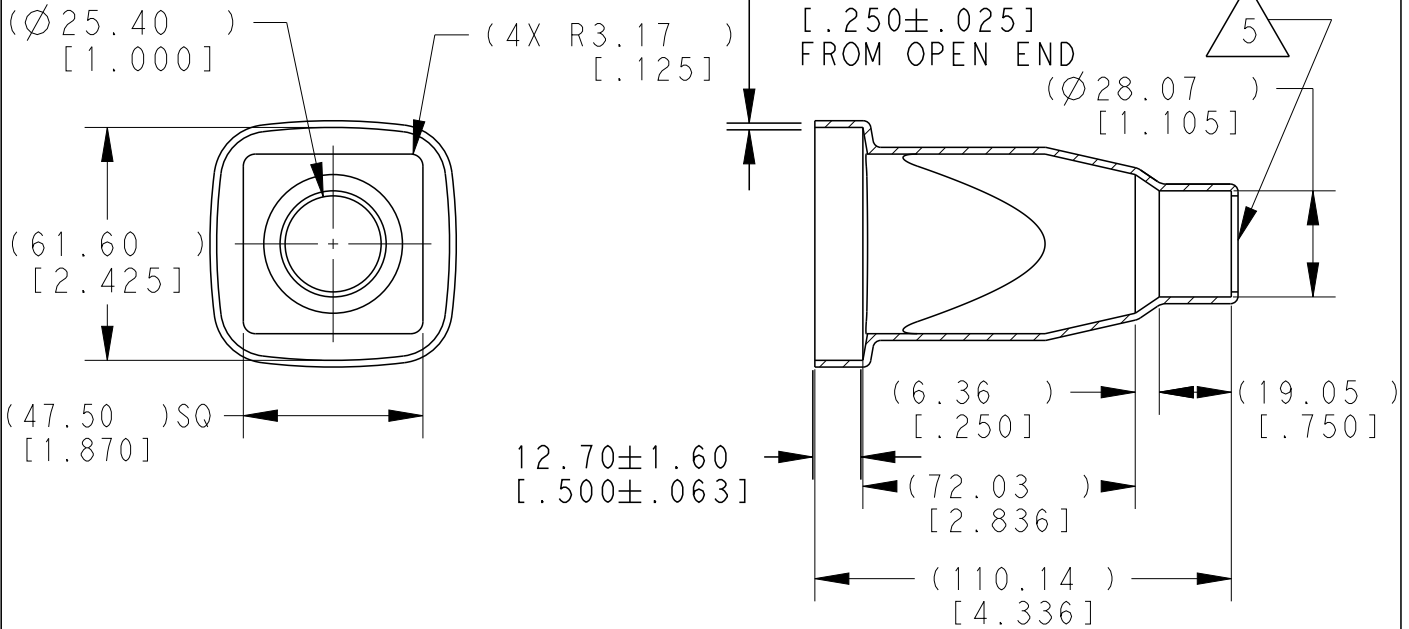


REVISIONS

P	LTR	DESCRIPTION	DATE	DWN	APVD
	A	NEW RELEASE PER ECO-14-009834	28JUN2014	DM	DM
	A1	REVISED PER PCN E-18-005300	28MAR2018	SM	DM
	A2	REVISED PER PCN E-20-005241	08APR2020	AP	IG



3D VIEW



6. SMALL NON-FILLS ARE ACCEPTABLE INSIDE OF PART, INCLUDING SUPPLIER MARKING.

5. SMALL MATERIAL EXTENSION IS ACCEPTABLE ON THIS END ALL AROUND. WALL THICKNESS ON THIS END MAY VARY.

4. BOTTOM OF PART MOLDED OPEN.

3. THIS ACCESSORY PART IS PROVIDED WITHOUT TYPICAL TRANSPORTATION INDUSTRY PROCESS CONTROLS. NO VALIDATION TESTING HAS BEEN PERFORMED. CUSTOMER IS RESPONSIBLE FOR DETERMINING PRODUCT PERFORMANCE AND SUITABILITY FOR APPLICATION.


2. TEMPERATURE RATING: -29°C TO +100°C [-20°F TO +212°F]

1. THIS PART IS USED ON:
 DRB12-48PXE-XXXX RECEPTACLE
 DRB16-48SXE-XXXX PLUG
 DRB12-60PXE-XXXX RECEPTACLE
 DRB16-60SXE-XXXX PLUG
 WHERE X=A,B,C,D KEYS AND XXXX=MODIFICATION

NOTES:

TE INTERNAL PN	DEUTSCH PN
DRB48-60-BT	DRB48-60-BT

2014 RELEASED FOR PUBLICATION ALL RIGHTS RESERVED. BY TE CONNECTIVITY COPYRIGHT 2014 THIS DRAWING IS UNPUBLISHED.

DIMENSIONS: MM[INCH]	DWN D. MEYER	28JUN2014	MATERIAL PVC	FINISH BLACK
	CHK P. CARNAHAN	28JUN2014	 TE Connectivity	
TOLERANCES UNLESS OTHERWISE SPECIFIED:	APVD D. MEYER	28JUN2014		
	PRODUCT SPEC	APPLICATION SPEC	SIZE A4	CAGE CODE 44AFU8
0 PLC ± 1 PLC ± 2 PLC ±0.63[.025] 3 PLC ± 4 PLC ± ANGLES ±5°	WEIGHT 49.00 G	DRAWING NO C-DRB48-60-BT		RESTRICTED TO
CUSTOMER DRAWING			SCALE 1:2	SHEET 1 OF 1
			REV A2	