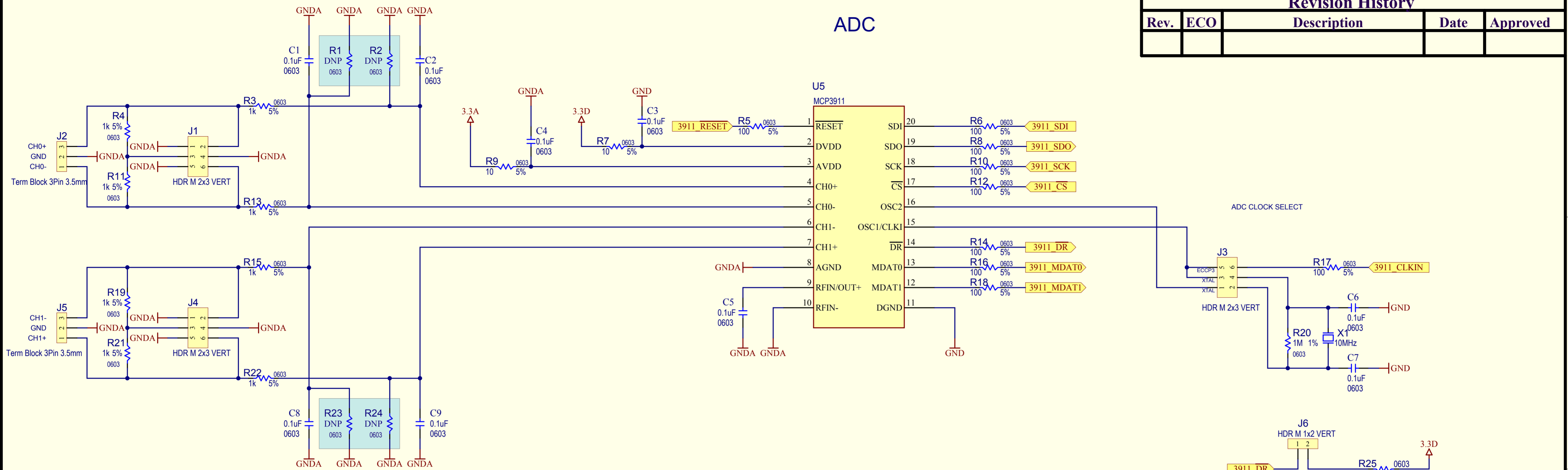


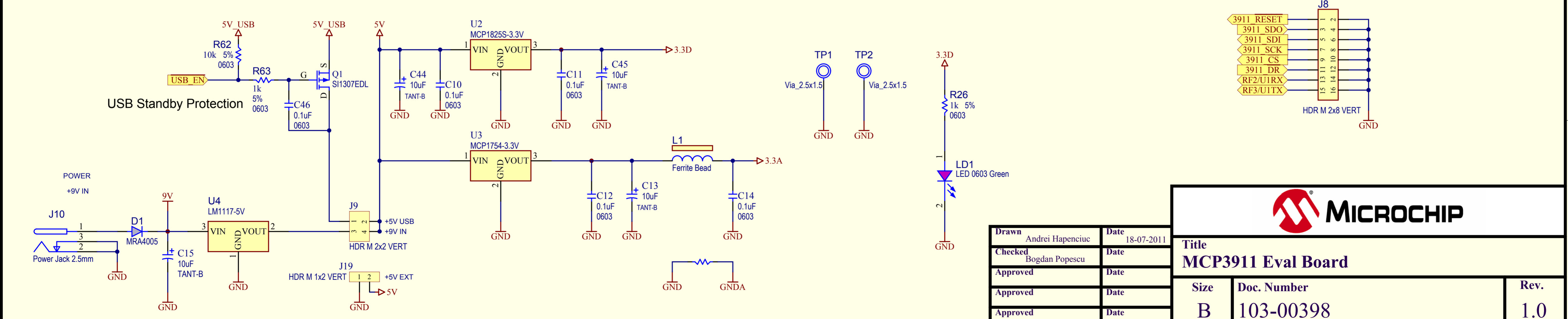
Revision History

Rev.	ECO	Description	Date	Approved

ADC



POWER



Drawn	Andrei Hapenciu	Date	18-07-2011
Checked	Bogdan Popescu	Date	
Approved		Date	
Approved		Date	
Approved		Date	

Title		
MCP3911 Eval Board		
Size	Doc. Number	Rev.
B	103-00398	1.0