

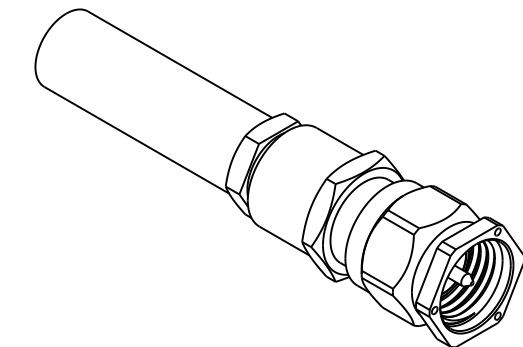
NOTES:

1. MATERIALS AND FINISHES:  
 BODY - BRASS, GOLD PLATING PLATING (.0004 THICK)  
 CONTACT -BRASS, GOLD PLATING (.0004 THICK)  
 INSULATOR - PTFE  
 GASKET - SILICONE RUBBER  
 FERRULE - BERYLLIUM COPPER, NICKEL PLATING (.0004 THICK)  
 RETAINING RING - BERYLLIUM COPPER, GOLD PLATING (.0004 THICK)  
 NUT - BRASS, NICKEL PLATING (.0004 THICK)
2. ELECTRICAL:  
 A. IMPEDANCE: 50 OHM  
 B. DIELECTRIC WITHSTANDING VOLTAGE: 1000 VRMS, MIN.
3. MECHANICAL:  
 A. DURABILITY: 500 CYCLES MIN.  
 B. TEMPERATURE RANGE: -65° C TO +165° C
4. PACKAGING:  
 A. QUANTITY: SINGLE PACK  
 B. MARKING: BAG TO BE MARKED  
 "AMPHENOL RF. 901-155-12, AND DATE CODE"
5. INDICATES CABLE ENTRY DIMENSIONS
6. FOR CABLE ASSEMBLY INSTRUCTIONS, SEE SHEET 17 OF AMPHENOL SPEC 349-50114,

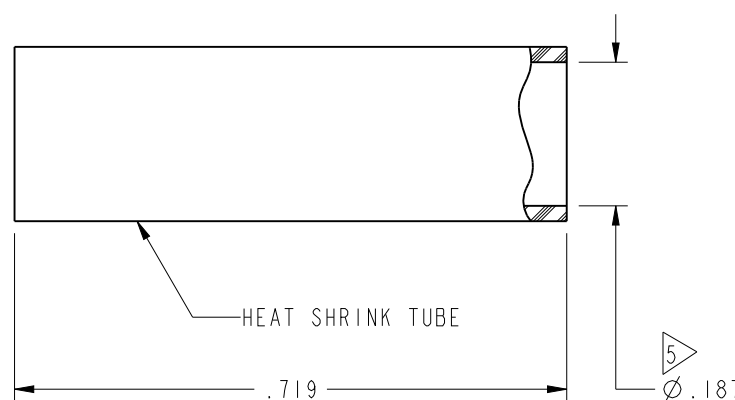
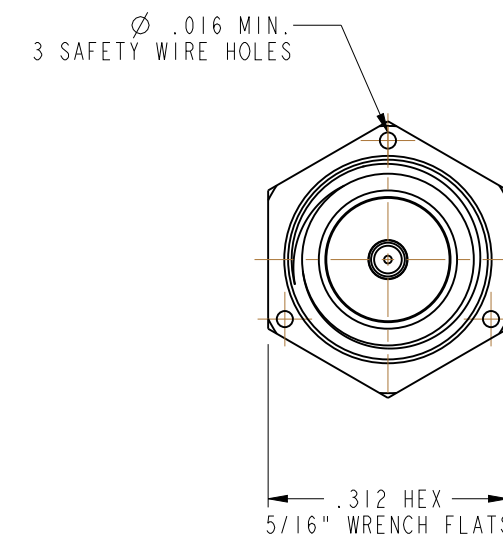
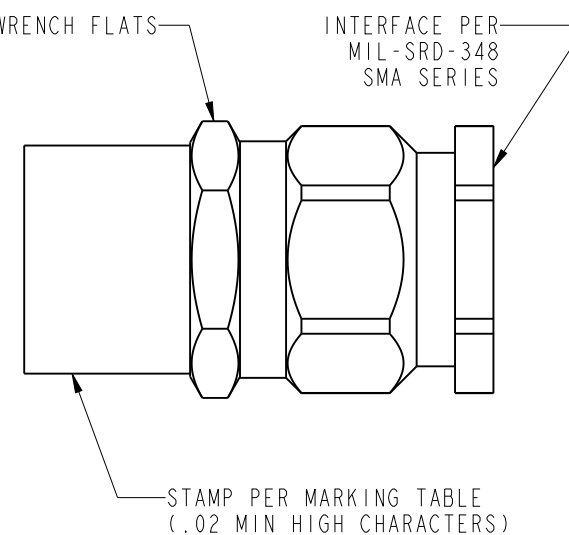
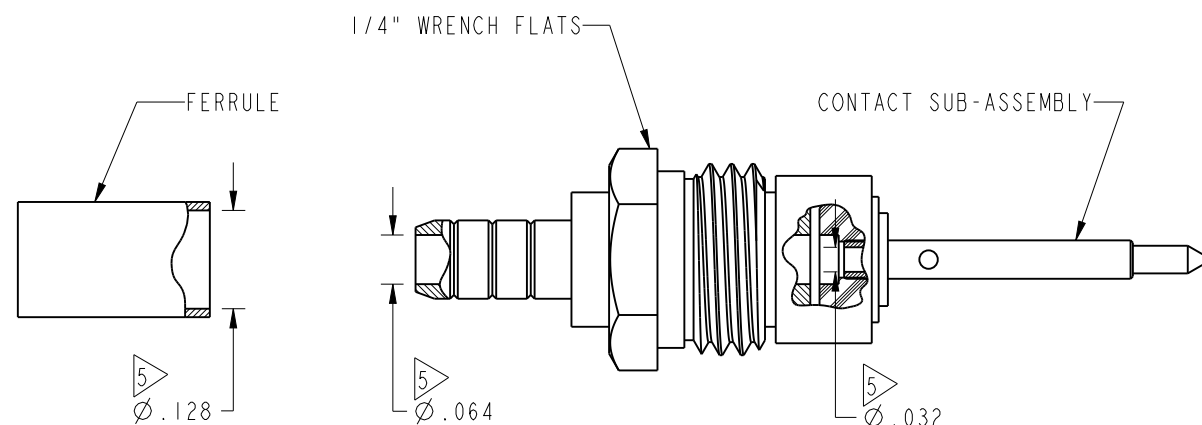
THIRD ANGLE PROJ.

REVISIONS

REV	DESCRIPTION	DATE	ECO	APPR
--	OFFICIAL RELEASE TO MFG	3-13-72	19127	
P	REDRAWN TO AUTOCAD WAS 'C' SIZE; DEL NOTES 4, 5 & 14; CHGD NOTE 3; ADD NOTE 15 & PLATE CODES; NOTE 6 '6 LB' WAS 8 LB; DEL HEAT TREAT FROM STAMP	7-11-96	41240	CPM/PB
R	DASH -12 STAMPING WAS '74868 39012/55B4012 YYWW'	2-9-98	42285	CPM/PB
T	REDRAWN IN PRO-E; CUSTOMER SHEET ADDED	3/3/15	50389	JN



SCALE 2.000

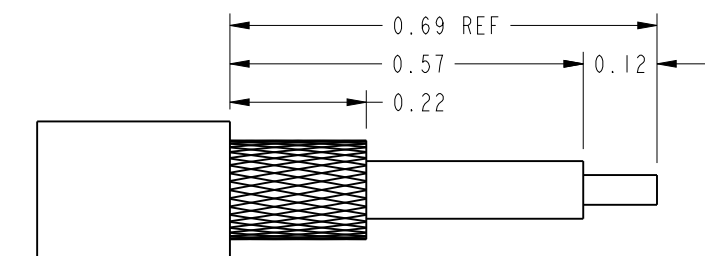


PART NUMBER	STAMPING
901-155-11	74868 M3901/55B4019 YYWW
901-155-12	74868 M3901/55B4012 YYWW

MIL-C-39012 INSPECTION

**CUSTOMER OUTLINE DRAWING**

ALL OTHER SHEETS ARE FOR INTERNAL USE ONLY



RECOMMENDED CABLE ENTRY DIMENSIONS

UNLESS OTHERWISE SPECIFIED, DIMENSIONS ARE IN METRIC AND TOLERANCES ARE: <0.5mm ± 0.05mm    0.5 - 6mm ± 0.1mm    6 - 30mm ± 0.2mm    30 - 120mm ± 0.3mm    ANGLES ± 1°  NOTICE - These drawings, specifications, or other data (1) are, and remain the property of Amphenol corp. (2) must be returned upon request; and (3) are confidential and not to be disclosed to any person other than those to whom they are given by Amphenol Corp. the furnishing of these drawings, specifications, or other data by Amphenol Corp., or to any other person to anyone for any purpose is not to be regarded by implication or otherwise in any manner licensing, granting rights to permitting such holder or any other person to manufacture, use or sell any product, process or design, patented or otherwise, that may in any way be related to or disclosed by said drawings, specifications, or other data.	MATERIAL	DRAWN	DATE	TITLE	Amphenol RF www.amphenolrf.com DRAWING NO. 901-155-XX ITEM NO. 901-155-XX PART NO. 901-155-XX
	SEE NOTES	J. NERI	19-Jan-15	SPEC. SMA CONNECTOR CRIMP TYPE PLUG FOR RG-174/U & RG-188/U & RG-316/U CABLES	
	REFERENCE AND CONFIGURATION LEVEL: In Work	J. HUBBELL	19-Jan-15	SCALE: 4.0:1.0 SHEET 2 OF 2	
	FINISH	K. CAPOZZI	2/26/15	DWG SIZE B REV T	