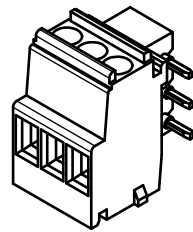
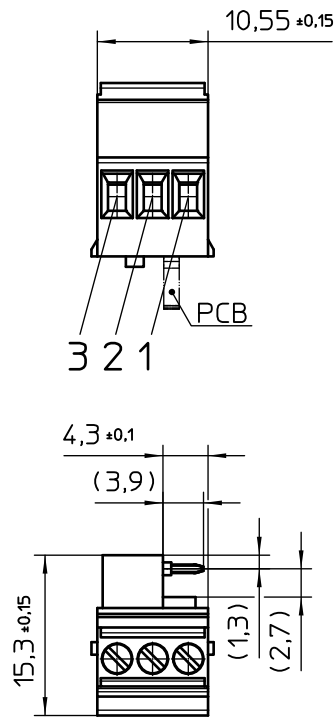
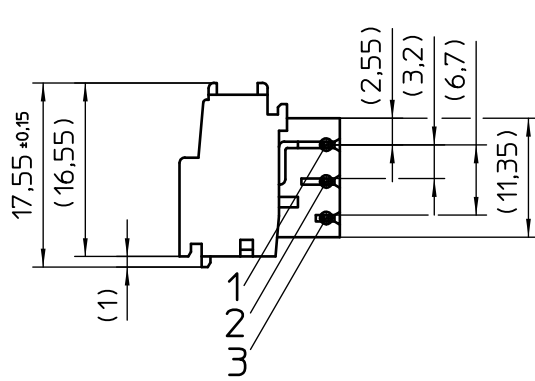
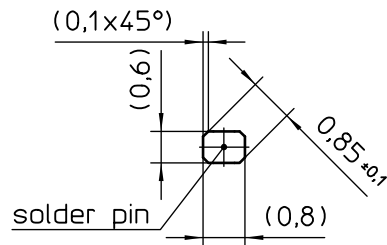


Transfer or duplication of this document as well as the utilisation or communication of its content are not permitted unless express consent is granted. Violations give rise to claims for damages. All rights reserved in case of patent, utility model or design patent registrations.

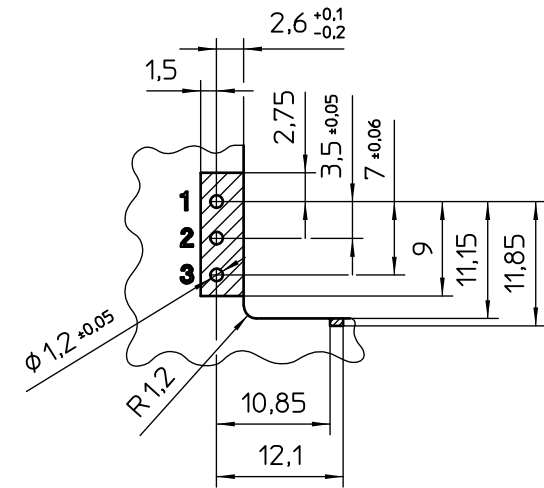
Weitergabe sowie Vervielfältigung dieses Dokuments, Verwertung und Mitteilung seines Inhalts sind verboten, soweit nicht ausdrücklich gestattet. Zuwiderhandlungen verpflichten zu Schadensersatz. Alle Rechte für den Fall der Patent-, Gebrauchsmuster- oder Designeintragung vorbehalten.



10:1



recommended PCB drilling plan view: component side



General tolerances:  
 dimensions  $\leq 30$ :  $\pm 0,1/R \pm 0,2/\pm 1^\circ$   
 dimensions  $> 30$ :  $\pm 0,15/R \pm 0,2/\pm 1^\circ$   
 symmetry: 0,2

General Information

- Simplified representation
- Restricted area
- Document excluded from change process
- CAD Data see Download-Center on [www.phoenixcontact.com](http://www.phoenixcontact.com)
- When using this connection technology in housing systems from Phoenix Contact see the appropriate documentation.
- Linear dimensions [mm]
- Tolerances, apply in a normal climate according to DIN 50014-23/50-2, with about 2% (% by weight) moisture content.

	document-No. / RI	date	scale
	00813238 / 00	03.12.2014	2:1
	ident.-No.	document-type	
	-----	Customer drawing	
description		MKDSO 1,5/ 3-R-3,5	
page 1	of 1		