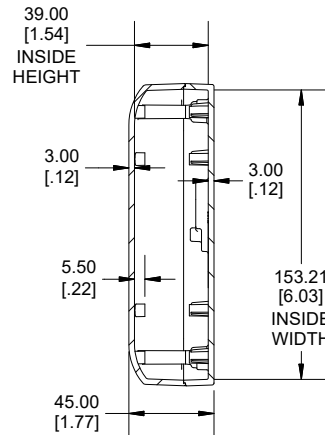


TOP VIEW



**SECTION B-B
END VIEW**



Enclosures can be Factory Modified (Milling, Drilling, Printing etc.)
 Contact Factory (modshop@hammfg.com) for quotes
 Solid models of this enclosure available in .stp or .x_t
 (Part number and text placement/orientation on our products are subject to change,
 we do not recommend using them as a locating reference for modification purposes)

NOTE	
Purchased assembly includes box, lid, 4 cover screws and 4 rubber feet. Molded from FRABS (UL94-V0) plastic	
Recommended Cover Screw Torque - 71-85 ozf-in (50-60 cN-m)	
Recommended PCB Screw Torque - 42-56 ozf-in (30-40 cN-m)	

1556	
1556F Enclosure	
Flame Retardant ABS Black Enclosure	1556FBK
Flame Retardant ABS Grey Enclosure	1556FGY
Flame Retardant ABS White Enclosure	1556FWH

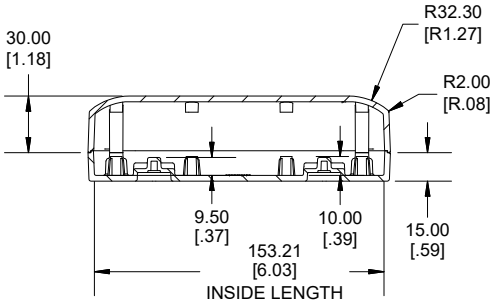
ACCESSORIES	
Clear Rubber Feet (Pkg 24)	1421T6CL
Steel Cover Screws [#6 X 1/2" Self Tapping] (Pkg 50)	SC527-50
Steel P.C.Board Screw [#6 X 1/4" Self Tapping] (Pkg 50)	SC526-50
Stainless Steel Wall Mount foot Screw [#8 X 3/8" Self Tapping] (Pkg 50)	SC556-50

Wall Mount Foot Kit [wall mount foot] (Pkg 4) [#8 X 3/8" Self Tapping] (Pkg 4)	FR ABS Grey	1556FOOTGY-4
	FR ABS Black	1556FOOTBK-4
	FR ABS White	1556FOOTWH-4

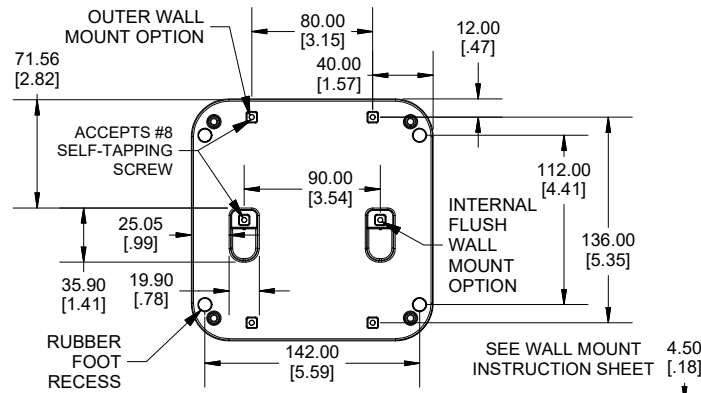
**HAMMOND
MANUFACTURING®**

1556F

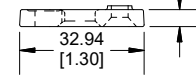
www.hammondmfg.com



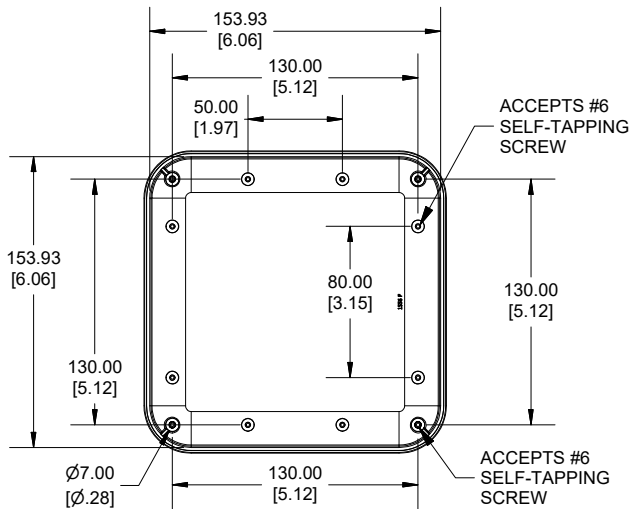
**SECTION A-A
SIDE VIEW**



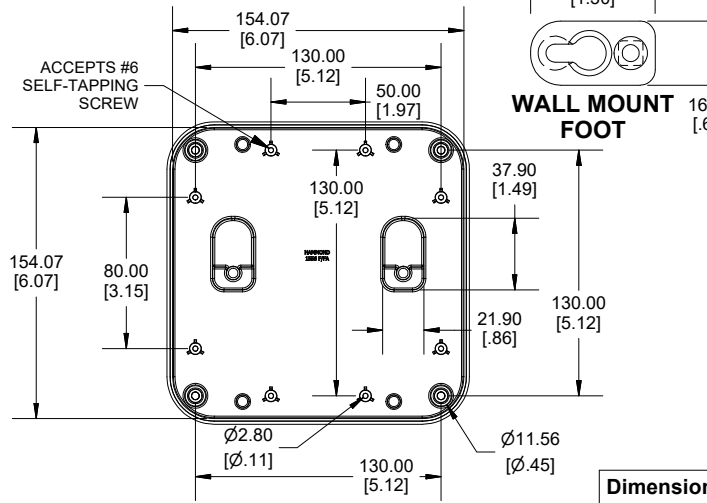
WALL MOUNT FOOT VIEW



WALL MOUNT FOOT



INSIDE LID



INSIDE BOX

Dimensions:
mm
[inches]