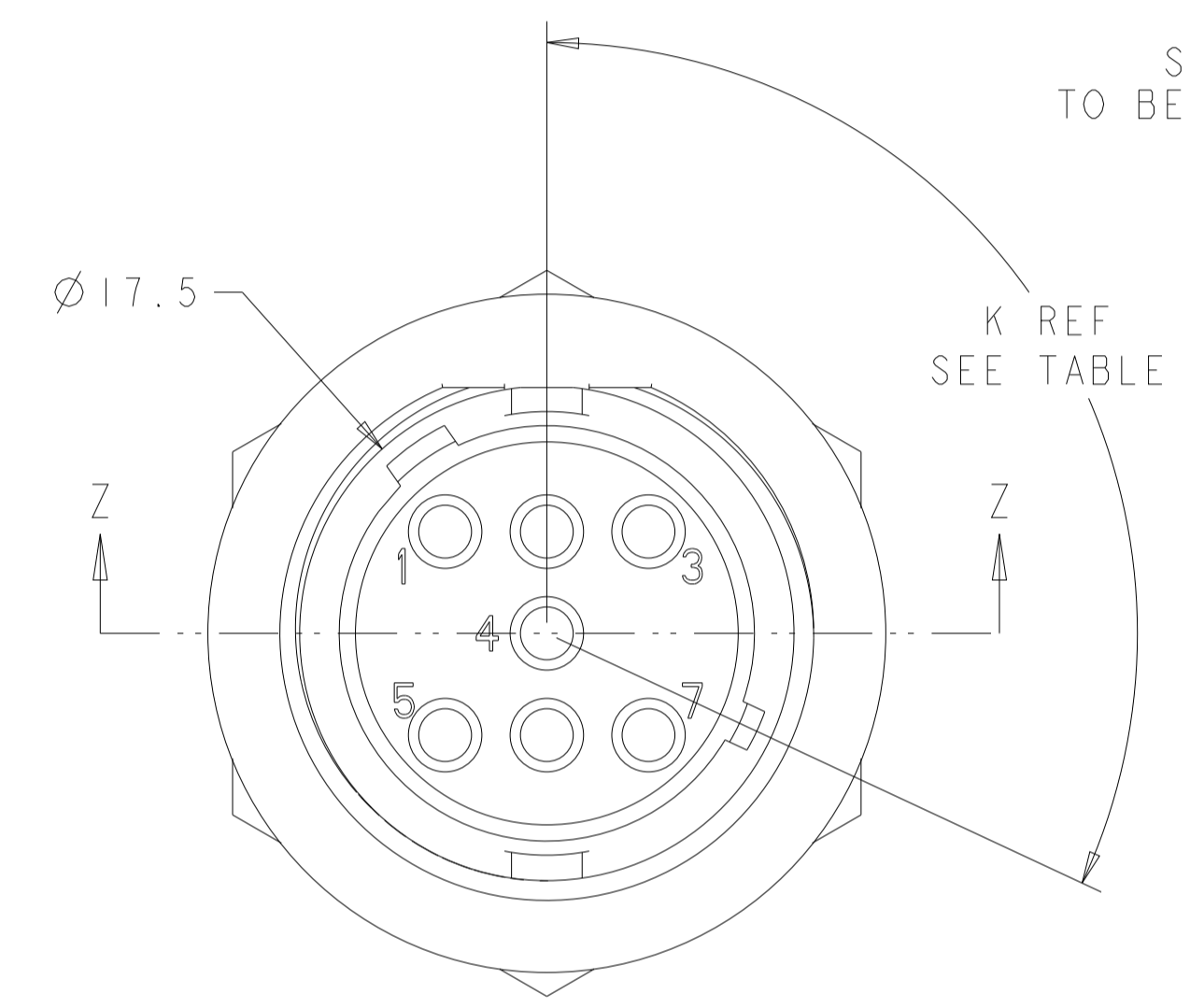
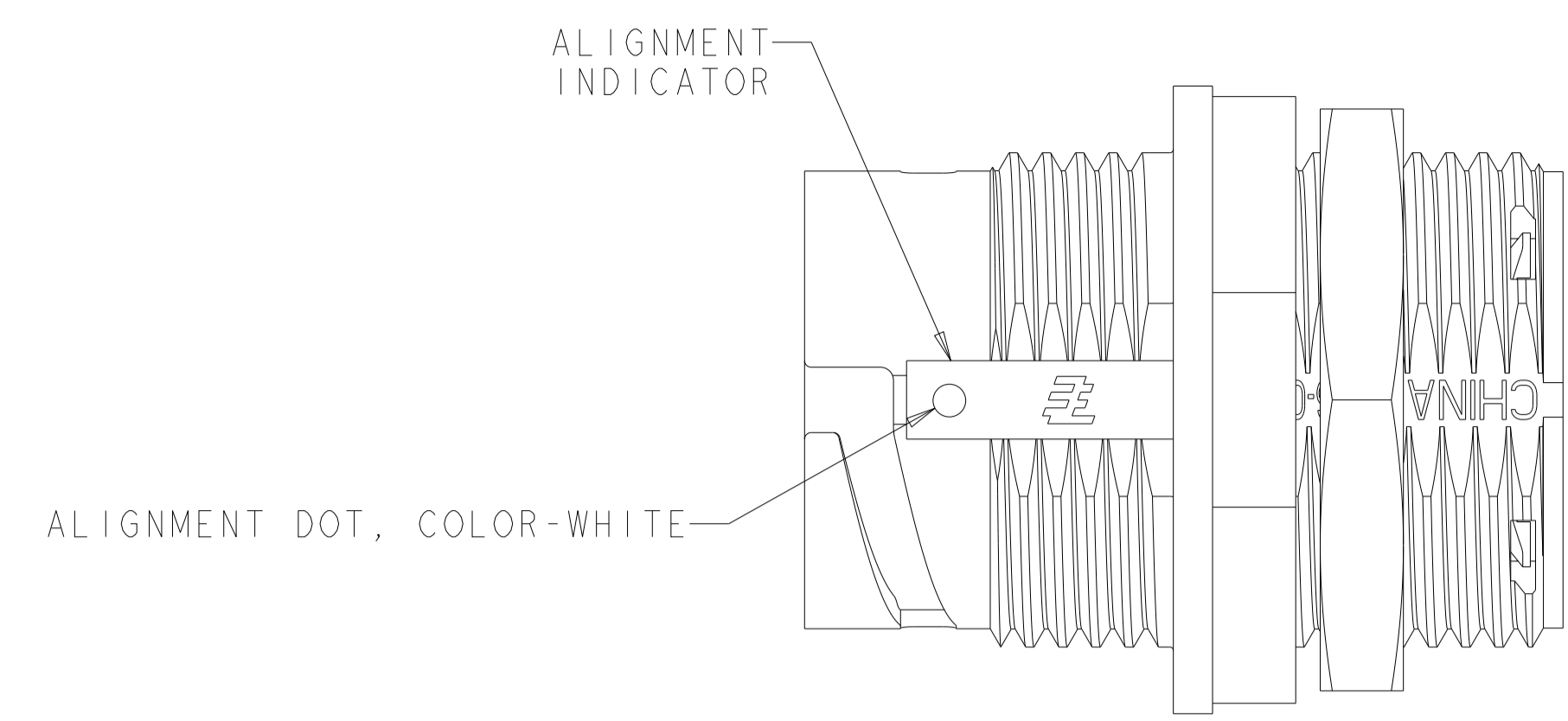
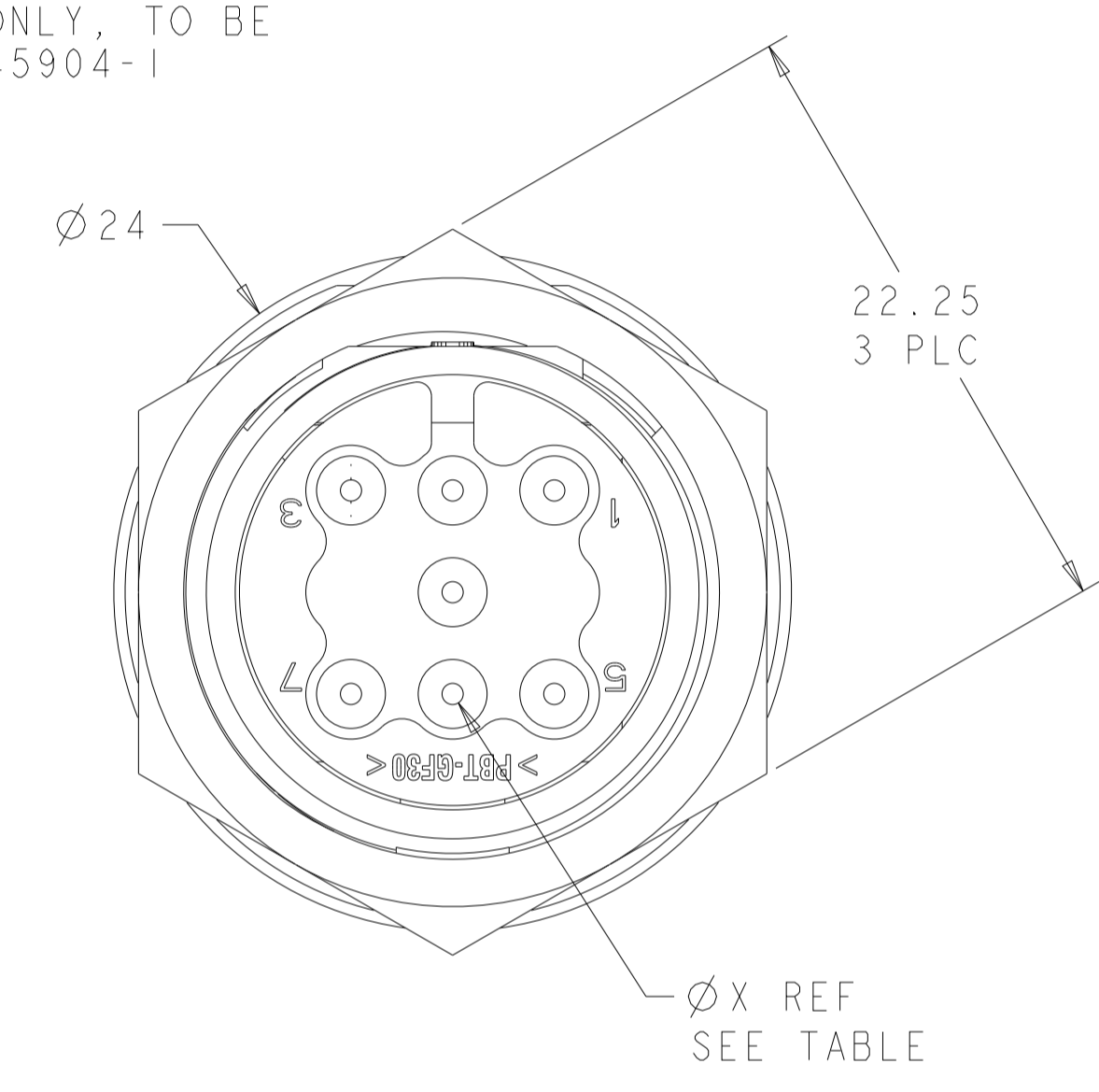
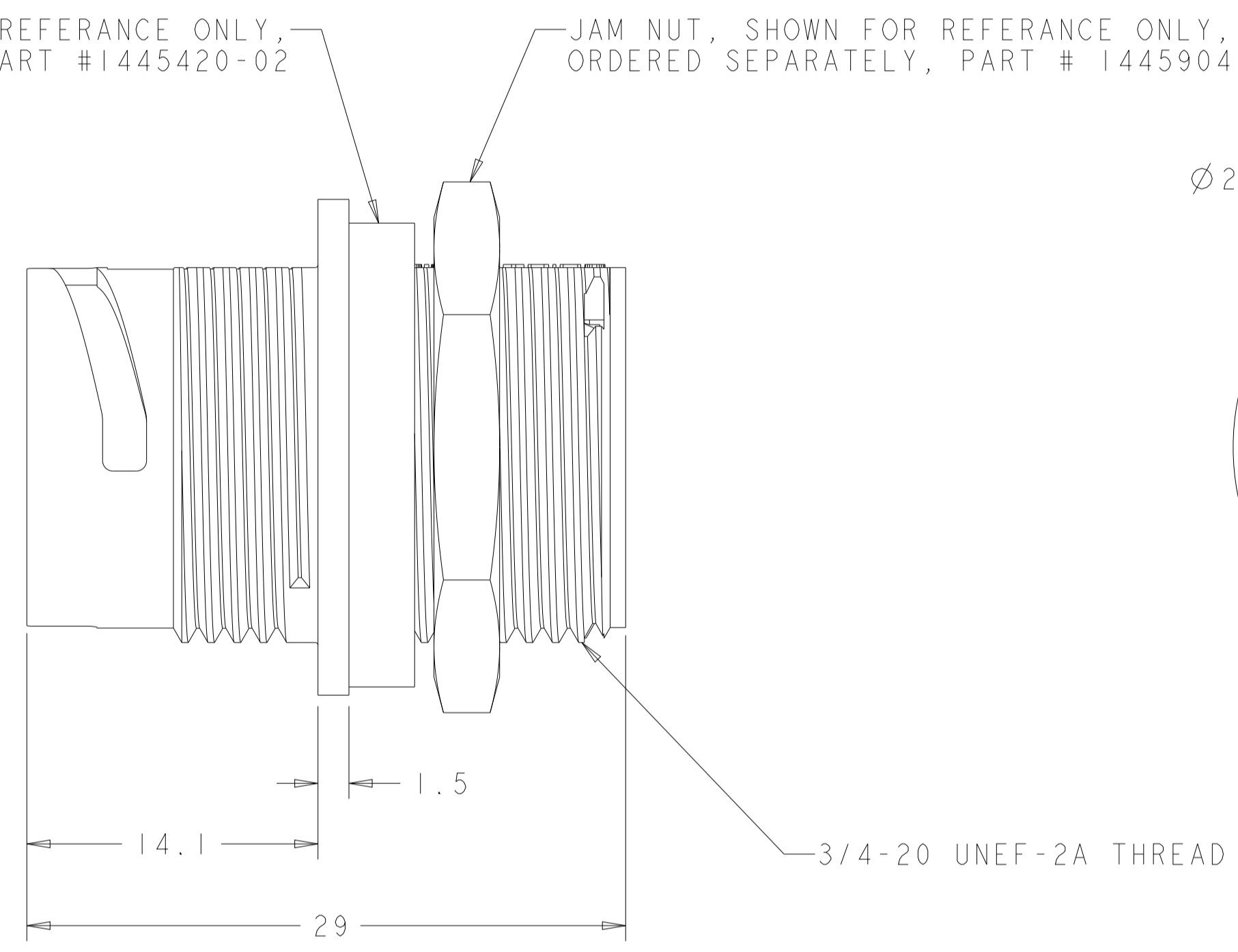


REVISIONS				
P	LTN	DESCRIPTION	DATE	OWN APVD
D		REVISED PER ECN-22-136865	01FEB2022	RK MZ

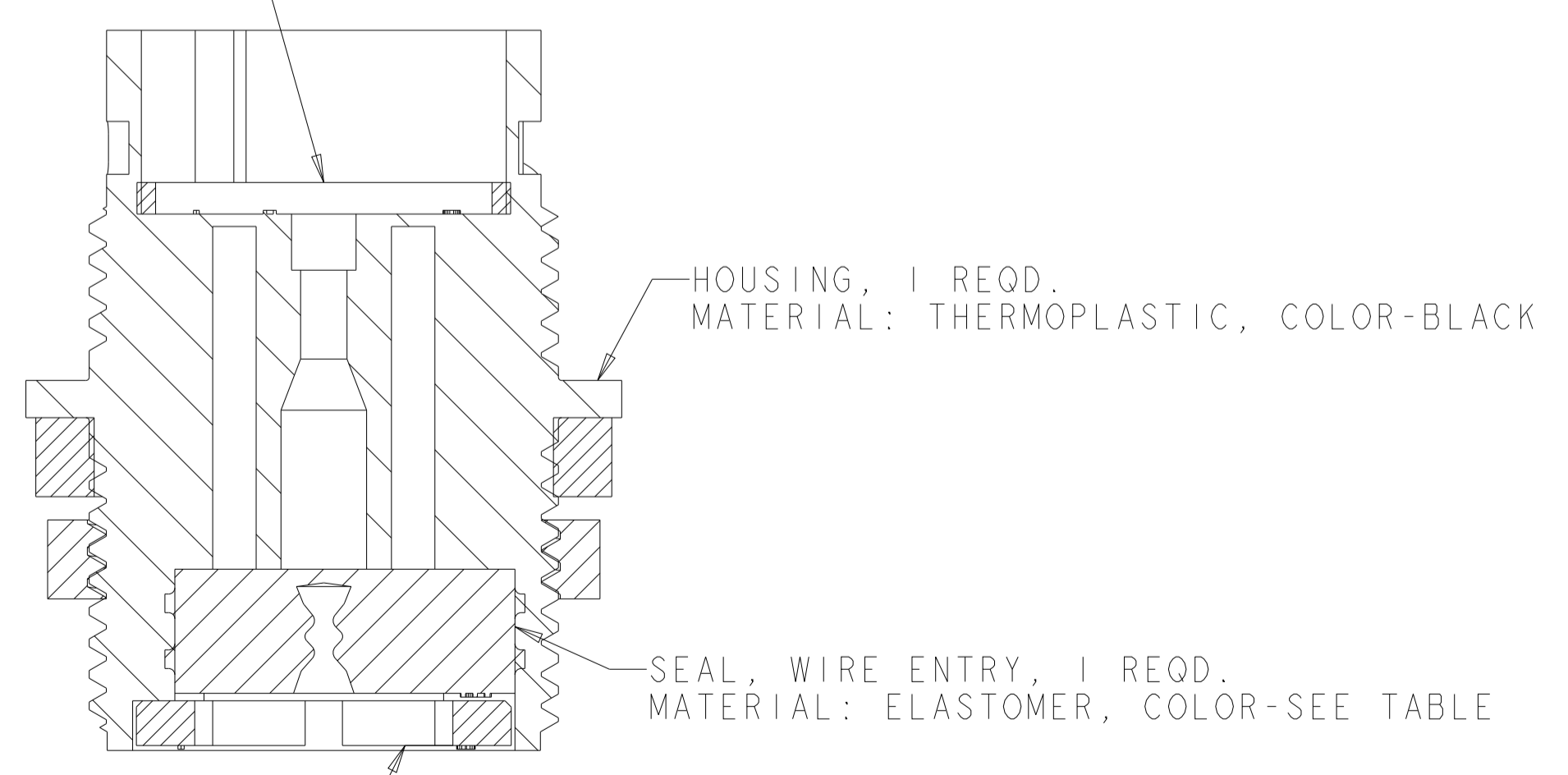


SEAL, PANEL; SHOWN FOR REFERENCE ONLY, TO BE ORDERED SEPARATELY, PART #1445420-02

JAM NUT, SHOWN FOR REFERENCE ONLY, TO BE ORDERED SEPARATELY, PART # 1445904-1



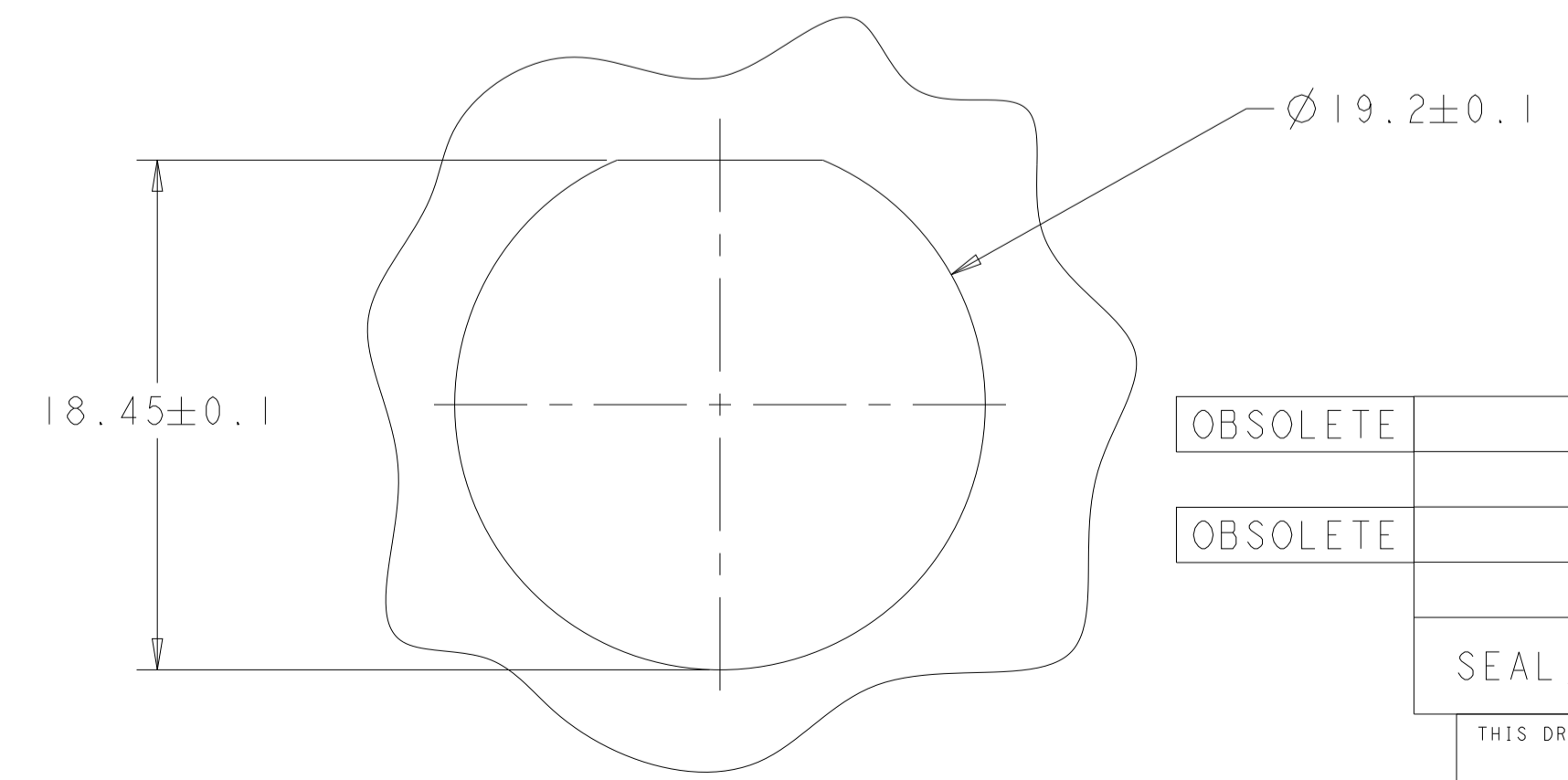
SEAL, PERIPHERAL, 1 REQD.
 MATERIAL: ELASTOMER, COLOR-BLACK



RETAINER, SEAL, 1 REQD.
 MATERIAL: THERMOPLASTIC, COLOR-BLACK

SECTION Z-Z

1. CONNECTOR CAN BE FRONT OR REAR PANEL MOUNTED.
 △ MAX PANEL THICKNESS - 3.18



SUGGESTED PANEL CUTOUT △

OBSOLETE	YELLOW	Ø 0.75	135°	1445822-04
	NATURAL	Ø 1.5	115°	1445822-03
OBSOLETE	NATURAL	Ø 1.5	135°	1445822-02
	YELLOW	Ø 0.75	115°	1445822-01
	SEAL, WIRE ENTRY COLOR	Ø X REF	K REF	PART NUMBER

THIS DRAWING IS A CONTROLLED DOCUMENT. OWN: SHANE WIESE, 15OCT2001
 CHK: G DOUTY, 15OCT2001
 APVD: H. WAKEEM, 13JUN2003

TE Connectivity

ASSEMBLY, RECEPTACLE, SIZE 11, 7 POSITION, PANEL MOUNT, SEALED, MINI CPC

SIZE: A1 00779 C=1445822

SCALE: 4:1 SHEET 1 OF 1 REV D