

Housing screw connection - SACC-BP-F-FIX/NUT-BK-SMD - 1419568

Please be informed that the data shown in this PDF Document is generated from our Online Catalog. Please find the complete data in the user's documentation. Our General Terms of Use for Downloads are valid (<http://phoenixcontact.com/download>)



Fixing sleeve for M12 housing screw connection with tolerance-compensating function, for SMD-solderable M12 socket contact inserts.

Your advantages

- Tolerance-compensating function between PCB and housing
- Prevents force being applied to soldering spots
- Easy integration thanks to tool-free mounting
- Optional port sealing without protective cap

Key Commercial Data

Packing unit	10 pc
Minimum order quantity	10 pc
GTIN	
GTIN	4055626207032

Technical data

Ambient conditions

Ambient temperature (operation)	-25 °C ... 85 °C (Plug / socket)
	-40 °C ... 85 °C (without mechanical actuation)
Degree of protection	IP67, when in locked state

General

Note	The electrical and mechanical data specified assume that the connector pair is correctly locked and mounted. If the connector is unlocked and if there is a danger of contamination, the connector must be sealed using a protective cap > IP54. Influences arising from litz wires, cables or PCB assembly must also be taken into consideration.
Standards/regulations	M12 connector IEC 61076-2-101 In line with
Torque	0.4 Nm (Tightening torque of mating connector)
Mounting type	Rear mounting 2-section, lockable

Housing screw connection - SACC-BP-F-FIX/NUT-BK-SMD - 1419568

Technical data

Material

Flammability rating according to UL 94	V0
Sealing material	FKM (O-ring (pin connector pattern))
Additional material specifications	PA 6.6 (Fixing sleeve)
Color	black (Fixing sleeve)

Cable

Standards/specifications	M12 connector IEC 61076-2-101 In line with
--------------------------	--

Standards and Regulations

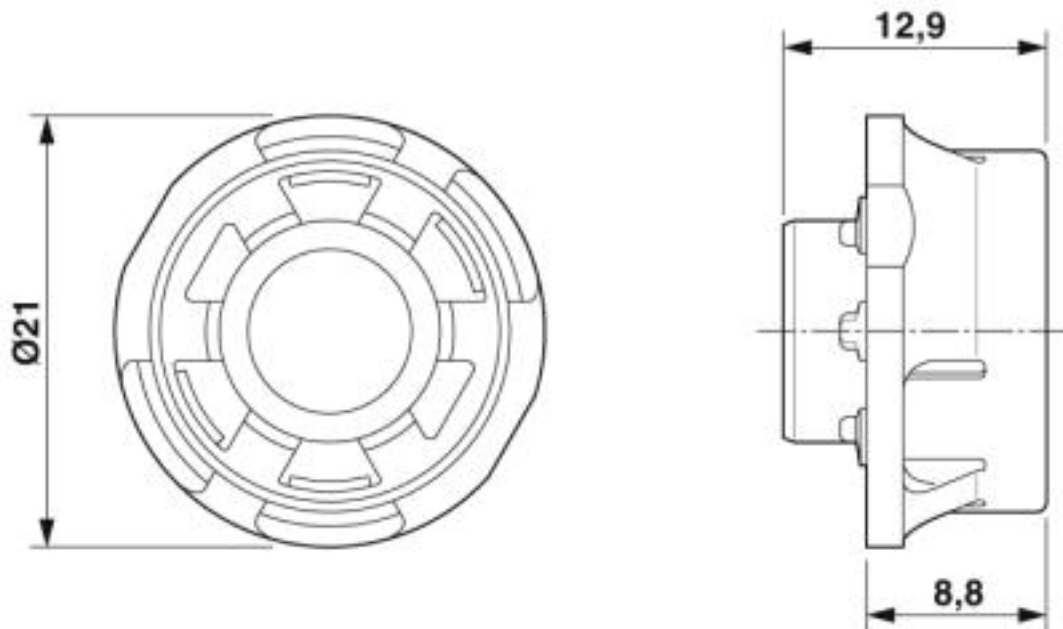
Standard designation	M12 connector
Standards/regulations	IEC 61076-2-101
Flammability rating according to UL 94	V0

Environmental Product Compliance

China RoHS	Environmentally friendly use period: unlimited = EFUP-e
	No hazardous substances above threshold values

Drawings

Dimensional drawing



Phoenix Contact 2019 © - all rights reserved
<http://www.phoenixcontact.com>

PHOENIX CONTACT GmbH & Co. KG
Flachmarktstr. 8
32825 Blomberg
Germany
Tel. +49 5235 300
Fax +49 5235 3 41200
<http://www.phoenixcontact.com>