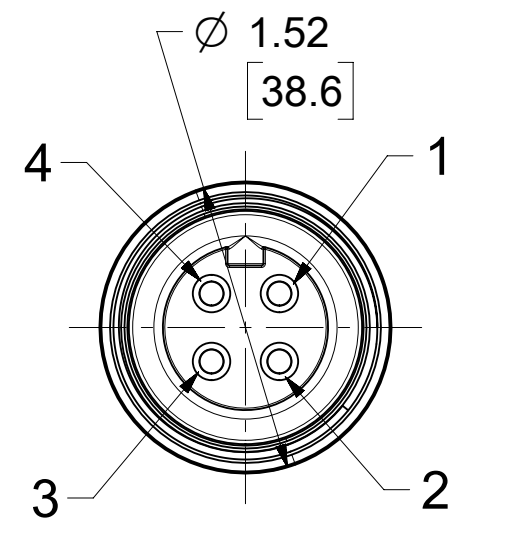
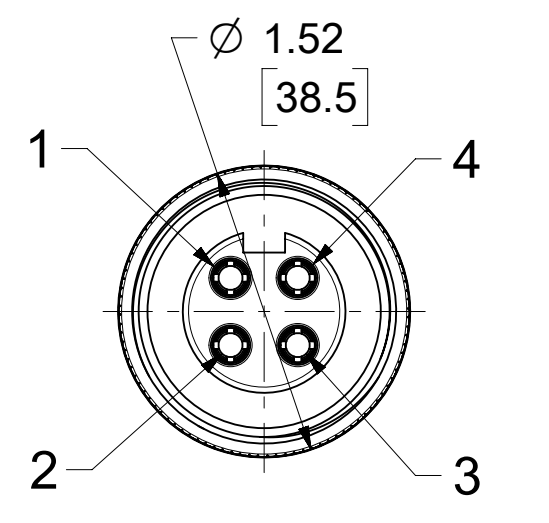
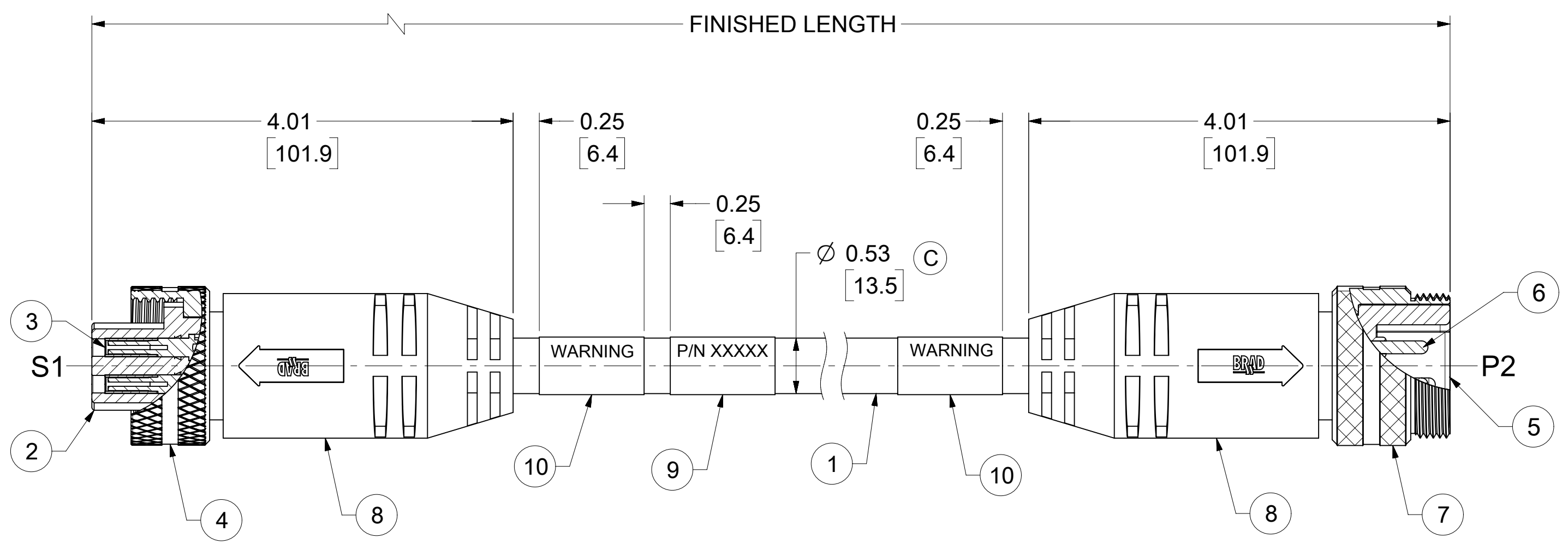
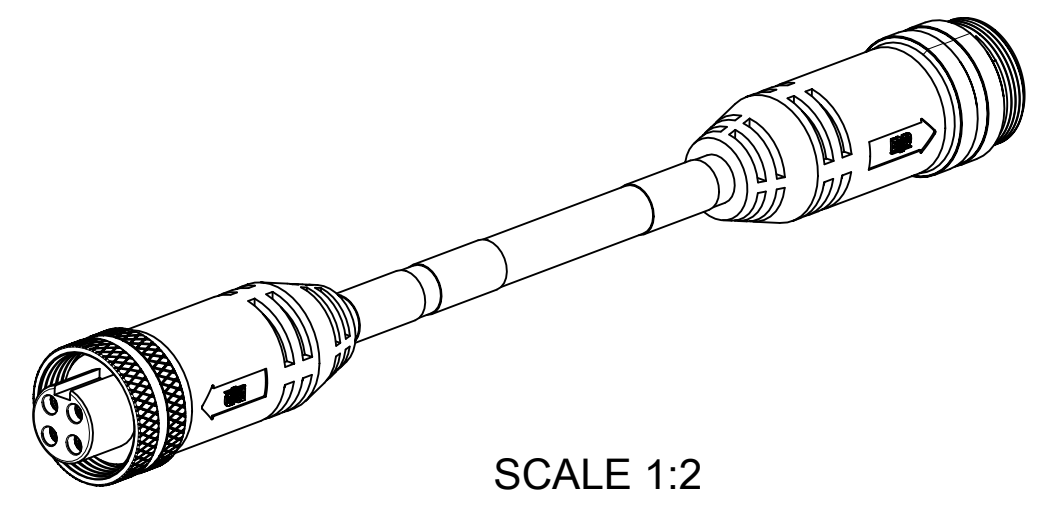


MATERIAL NO.	ENGINEERING NO.	FINISHED LENGTH
1300640453	CC4030K17M010G	1M (3 FT 3.37 IN)
1300640515	CC4030K17M650G	65M (213 FT 3.06 IN)
1300642118	CC4030K17T130G	130M (426 FT 6.11 IN)

C CABLE LENGTH TOLERANCES

<.3M [1FT]:	+19mm-0 [+.75in-0]
.3 - .9M [1 - 3FT]:	+44.5mm-0 [+1.75in-0]
.9 - 1.8M [3 - 6FT]:	+55.6mm-0 [+2.19in-0]
1.8 - 3.7M [6 - 12FT]:	+88.9mm-0 [+3.50in-0]
3.7 - 7.3M [12 - 24FT]:	+165.1mm-0 [+6.50in-0]
7.3-14.6M [24 - 48FT]:	+317.5mm-0 [+12.50in-0]
14.6 - 30.5M [48-100FT]:	+622.3mm-0 [+24.50in-0]
OVER 30M [100FT]	+2% OF FINISHED LENGTH



- NOTES:
1. MATERIAL: AS NOTED
 2. FINISH: AS NOTED
 3. ELECTRICAL:
 - VOLTAGE: 500V PER IEC60664 **C**
 - 600V PER UL2237
 - CURRENT: 32A
 4. TEMP RATING: -20°C TO +90°C
 5. PROTECTION: IP67 (WHEN MATED)
 6. UL LISTED FILE: 258922
 7. COUPLING THREAD: 1 3/8"-16 UN
 8. ALL DIMS ARE FOR REFERENCE UNLESS TOLERANCED OR NOTED OTHERWISE

WIRING DIAGRAM

S1		P2	
1	BLACK #1	1	
2	GREEN/YELLOW	2	
3	BLACK #3	3	
4	BLACK #2	4	

PART NUMBER LEGEND **C**

CC4030K17M010G

FINISHED LENGTH
 M001 = 0.1 METER
 M010 = 1.0 METER
 M100 = 10.0 METER
 T100 = 100 METER

ITEM	DESCRIPTION	MATERIAL	FINISH
10	WARNING LABEL	VINYL	ORANGE/BLACK
9	WRAP LABEL	VINYL	BLACK/YELLOW
8	OVERMOLD	TPE	BLACK
7	MALE COUPLING NUT	ALUMINIUM	CLEAR ANODIZE
6	PIN CONTACT	Cu ALLOY	GOLD OVER NICKEL
5	MALE INSERT	TPE	BLACK
4	FEMALE COUPLING NUT	ALUMINIUM	CLEAR ANODIZE
3	SOCKET CONTACT	Cu ALLOY	GOLD OVER NICKEL
2	FEMALE INSERT	TPE	BLACK
1	CABLE, #10-4, TC-ER	TPE	BLACK

FUNCTIONAL SYMBOLS	THIS DRAWING CONTAINS INFORMATION THAT IS PROPRIETARY TO MOLEX ELECTRONIC TECHNOLOGIES, LLC AND SHOULD NOT BE USED WITHOUT WRITTEN PERMISSION	CURRENT REV DESC: UPDATED ITEM #2.5.8 WERE PVC, 9&10, WERE PLASTIC FILM, PART NO. LEGEND ADDED MATERIAL TABLE, TOL. TABLE, IEC VOLT & CABLE DIA.		<p>BRAD POWER, M35 4 POLE, FEMALE-MALE, STRAIGHT, SINGLE KEY 10 AWG</p>																																				
	<table border="1"> <thead> <tr> <th>DIMENSION UNITS</th> <th colspan="2">SCALE</th> </tr> <tr> <td>INCH/MM</td> <td colspan="2">1:1</td> </tr> </thead> <tbody> <tr> <td colspan="3">GENERAL TOLERANCES (UNLESS SPECIFIED)</td> </tr> <tr> <td>4 PLACES</td> <td>±</td> <td>±</td> </tr> <tr> <td>3 PLACES</td> <td>±</td> <td>±</td> </tr> <tr> <td>2 PLACES</td> <td>±</td> <td>±</td> </tr> <tr> <td>1 PLACE</td> <td>±</td> <td>±</td> </tr> <tr> <td>0 PLACES</td> <td>±</td> <td>±</td> </tr> <tr> <td colspan="3">ANGULAR TOL ± °</td> </tr> </tbody> </table>	DIMENSION UNITS	SCALE				INCH/MM	1:1		GENERAL TOLERANCES (UNLESS SPECIFIED)			4 PLACES	±	±	3 PLACES	±	±	2 PLACES	±	±	1 PLACE	±	±	0 PLACES	±	±	ANGULAR TOL ± °			EC NO: 709714	2020/05/29	<table border="1"> <tr> <th>DOCUMENT NUMBER</th> <th>DOC TYPE</th> <th>DOC PART</th> <th>REVISION</th> </tr> <tr> <td>SD-130064-006</td> <td>PSD</td> <td>001</td> <td>C</td> </tr> </table>			DOCUMENT NUMBER	DOC TYPE	DOC PART	REVISION	SD-130064-006
DIMENSION UNITS	SCALE																																							
INCH/MM	1:1																																							
GENERAL TOLERANCES (UNLESS SPECIFIED)																																								
4 PLACES	±	±																																						
3 PLACES	±	±																																						
2 PLACES	±	±																																						
1 PLACE	±	±																																						
0 PLACES	±	±																																						
ANGULAR TOL ± °																																								
DOCUMENT NUMBER	DOC TYPE	DOC PART	REVISION																																					
SD-130064-006	PSD	001	C																																					
DIVISIONAL SYMBOLS	DRWN: VHANDI	2022/06/08	<table border="1"> <tr> <th>MATERIAL NUMBER</th> <th>CUSTOMER</th> <th>SHEET NUMBER</th> </tr> <tr> <td>SEE TABLE</td> <td>GENERAL MARKET</td> <td>1 OF 1</td> </tr> </table>				MATERIAL NUMBER	CUSTOMER	SHEET NUMBER	SEE TABLE	GENERAL MARKET	1 OF 1																												
MATERIAL NUMBER	CUSTOMER	SHEET NUMBER																																						
SEE TABLE	GENERAL MARKET	1 OF 1																																						
	CHK'D: RSTONE	2022/06/14	<table border="1"> <tr> <th>DRAWING</th> <th>SERIES</th> </tr> <tr> <td>C-SIZE</td> <td>130064</td> </tr> </table>				DRAWING	SERIES	C-SIZE	130064																														
DRAWING	SERIES																																							
C-SIZE	130064																																							
	APPR: BWOODMAN	2022/06/14	<table border="1"> <tr> <th>INITIAL REVISION:</th> </tr> <tr> <td>DRWN: BRUPERT</td> </tr> <tr> <td>APPR: BWOODMAN</td> </tr> </table>				INITIAL REVISION:	DRWN: BRUPERT	APPR: BWOODMAN																															
INITIAL REVISION:																																								
DRWN: BRUPERT																																								
APPR: BWOODMAN																																								
	DRWN: BRUPERT	2011/11/09	<table border="1"> <tr> <th>THIRD ANGLE PROJECTION</th> <th>DRAWING</th> <th>SERIES</th> </tr> <tr> <td></td> <td>C-SIZE</td> <td>130064</td> </tr> </table>				THIRD ANGLE PROJECTION	DRAWING	SERIES		C-SIZE	130064																												
THIRD ANGLE PROJECTION	DRAWING	SERIES																																						
	C-SIZE	130064																																						
	APPR: BWOODMAN	2014/09/04	<table border="1"> <tr> <th>DRAFT WHERE APPLICABLE MUST REMAIN WITHIN DIMENSIONS</th> </tr> </table>				DRAFT WHERE APPLICABLE MUST REMAIN WITHIN DIMENSIONS																																	
DRAFT WHERE APPLICABLE MUST REMAIN WITHIN DIMENSIONS																																								
			<table border="1"> <tr> <th>DOCUMENT STATUS</th> <th>P1</th> <th>RELEASE DATE</th> <th>2022/06/14</th> <th>13:48:43</th> </tr> </table>				DOCUMENT STATUS	P1	RELEASE DATE	2022/06/14	13:48:43																													
DOCUMENT STATUS	P1	RELEASE DATE					2022/06/14	13:48:43																																