

Cable data sheet

Conductors:
 Material: Bare Copper
 Insulation Compound: PVC
 Section: 5x0.25mm²
 Stranding: 32x0.1 mm
 Jacket:
 Compound: Outer PUR / Inner PVC
 Color: Black
 Diameter: 5,0 +0.3/-0.1mm
 Temperature range (static): -30/+80°C
 Temperature range (dynamic): -5/+80°C

Bill of Materials

ITEM	QTY.	DESCRIPTION	MATERIAL	FINISH
11	1	LABEL YELLOW	VINYL	-
10	1	INSERT 8 POLE FEMALE M12	PUR	-
9	8	CONTACT FEMALE	BRASS	SELECTIVE GOLD OVER NICKEL
8	1	ORING RED	FPM	-
7	1	COUPLING NUT FEMALE	BRASS	NICKEL PLATED
6	2	I/D CARRIER TRANSPARENT	PVC	-
5	-	MOLDING MATERIAL BLACK	PUR	-
4	1	COUPLING NUT MALE	BRASS	NICKEL PLATED
3	1	INSERT 5 POLE MALE M12	PUR	-
2	5	CONTACT MALE	BRASS	SELECTIVE GOLD OVER NICKEL
1	-	CABLE 5x0.25mm ² BLACK OD=5.0mm	PUR/PVC	-

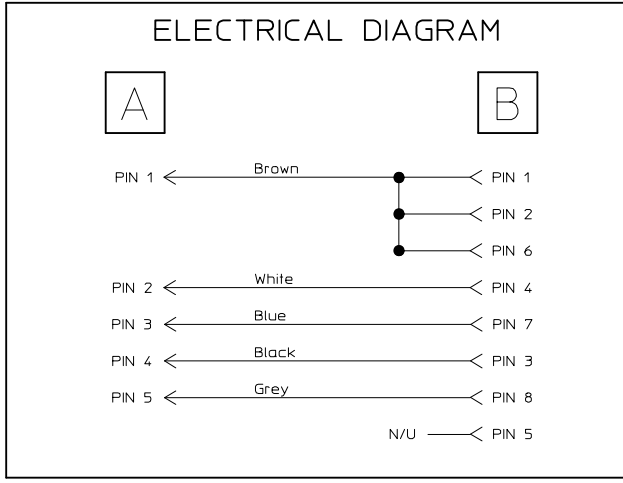
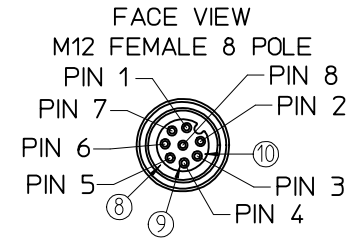
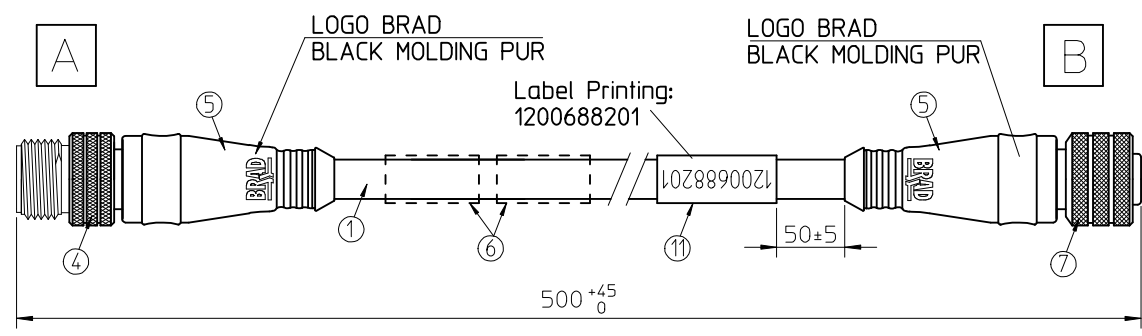
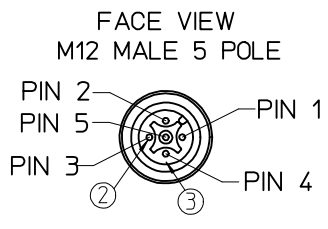
Notes:

1. Dimensions without tolerance are referential.

Project name: Pilz
 Engineering No.: 1200688201

ORIGINAL RELEASE EC NO: IPG2016-0383 DRW: AKONDRACIUK 2015/09/14 CHKD: MMAJGAT 2015/09/14 APPR: MIWASIECZKO 2015/09/29	QUALITY SYMBOLS	GENERAL TOLERANCES (UNLESS SPECIFIED)	DIMENSION STYLE	SCALE	DESIGN UNITS	THIRD ANGLE PROJECTION
	▼=0 ◻=0	mm INCH 4 PLACES ± --- ± --- 3 PLACES ± --- ± --- 2 PLACES ± --- ± --- 1 PLACE ± --- ± --- 0 PLACE ± --- ± ---	MM ONLY	---	METRIC	☉ ◻ THIRD ANGLE PROJECTION
	DRAFT WHERE APPLICABLE MUST REMAIN WITHIN DIMENSIONS	DRAWN BY: AKONDRACIUK CHECKED BY: MMAJGAT APPROVED BY: MIWASIECZKO DATE: 2015/09/14 DATE: 2015/09/14 DATE: 2015/09/29	TITLE: CSE M12 5P AC MA STR PVC 8P FE STR 0.5M			
	MATERIAL NO. 1200688201	DOCUMENT NO. SD-120068-004	SHEET NO. 1 OF 1			

THIS DRAWING CONTAINS INFORMATION THAT IS PROPRIETARY TO MOLEX INCORPORATED AND SHOULD NOT BE USED WITHOUT WRITTEN PERMISSION



Cable data sheet

Conductors:
 Material: Bare Copper
 Insulation Compound: PVC
 Section: 5x0.25mm²
 Stranding: 32x0.1 mm
 Jacket:
 Compound: Outer PUR / Inner PVC
 Color: Black
 Diameter: 5,0 +0.3/-0.1mm
 Temperature range (static): -30/+80°C
 Temperature range (dynamic): -5/+80°C

Bill of Materials

ITEM	QTY.	DESCRIPTION	MATERIAL	FINISH
11	1	LABEL YELLOW	VINYL	-
10	1	INSERT 8 POLE FEMALE M12	PUR	-
9	8	CONTACT FEMALE	BRASS	SELECTIVE GOLD OVER NICKEL
8	1	ORING RED	FPM	-
7	1	COUPLING NUT FEMALE	BRASS	NICKEL PLATED
6	2	I/D CARRIER TRANSPARENT	PVC	-
5	-	MOLDING MATERIAL BLACK	PUR	-
4	1	COUPLING NUT MALE	BRASS	NICKEL PLATED
3	1	INSERT 5 POLE MALE M12	PUR	-
2	5	CONTACT MALE	BRASS	SELECTIVE GOLD OVER NICKEL
1	-	CABLE 5x0.25mm ² BLACK OD=5.0mm	PUR/PVC	-

Notes:

1. Dimensions without tolerance are referential.

Project name: Pilz
 Engineering No.: 1200688201

ORIGINAL RELEASE EC NO: IPG2016-0383 DRWIN:AKONDRACIUK 2015/09/14 CHKD:MMAJGAT 2015/09/14 APPR:MIWASIECZKO 2015/09/29	QUALITY SYMBOLS ▽=0 ◻=0	GENERAL TOLERANCES (UNLESS SPECIFIED) mm INCH 4 PLACES ± --- ± --- 3 PLACES ± --- ± --- 2 PLACES ± --- ± --- 1 PLACE ± --- ± --- 0 PLACE ± --- ± ---	DIMENSION STYLE MM ONLY DRAWN BY: AKONDRACIUK CHECKED BY: MMAJGAT APPROVED BY: MIWASIECZKO DATE: 2015/09/14	SCALE: --- DESIGN UNITS: METRIC THIRD ANGLE PROJECTION	TITLE: CSE M12 5P AC MA STR PVC 8P FE STR 0.5M MATERIAL NO.: 1200688201 DOCUMENT NO.: SD-120068-004
	DRAFT WHERE APPLICABLE MUST REMAIN WITHIN DIMENSIONS	ANGULAR ± 1 °	THIS DRAWING CONTAINS INFORMATION THAT IS PROPRIETARY TO MOLEX INCORPORATED AND SHOULD NOT BE USED WITHOUT WRITTEN PERMISSION	SHEET NO.: 1 OF 1	
	A	REV	SIZE: A3	MOLEX	