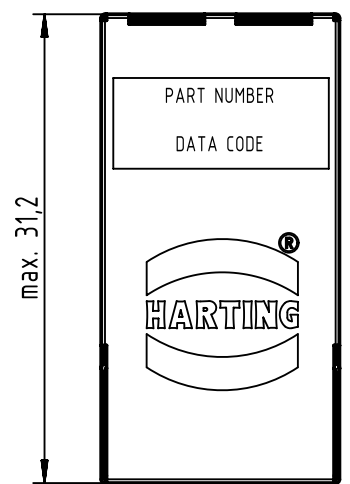
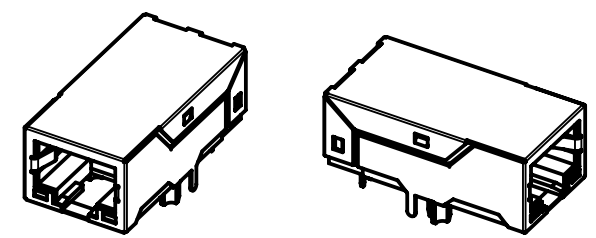
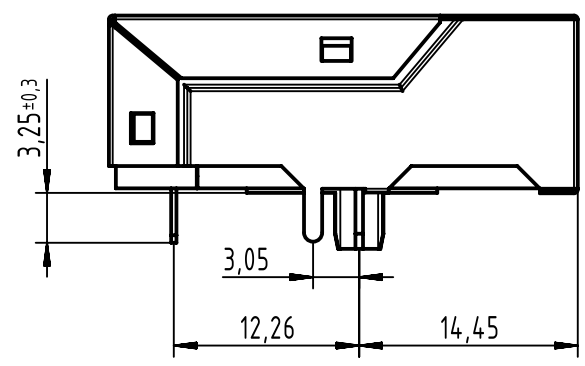


Mating face
acc. to IEC 60603-7

Light pipe



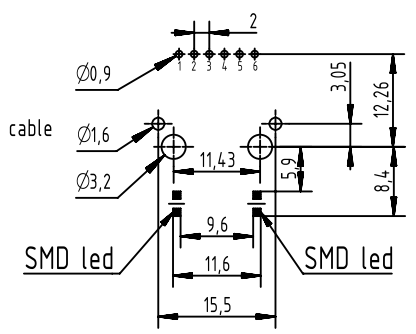
max. 31,2

Material:
 Housing material: POLYESTER or HIGH Temp UL94V-0
 Shield material: 0.25mm THICKNESS BRASS Plating Nickel
 Contact material: Phosphor Bronze T=0.30mm
 Plating contact: gold plating over nickel

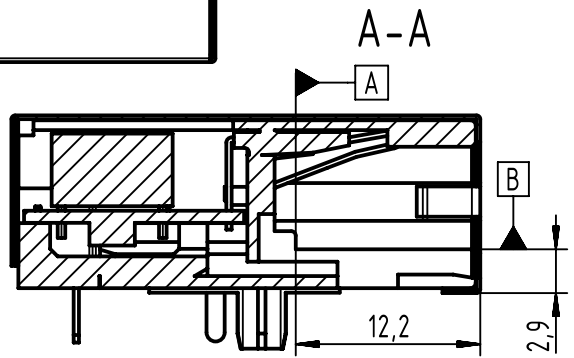
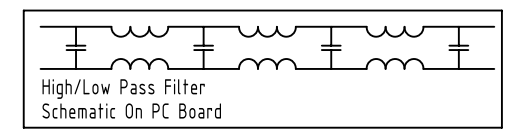
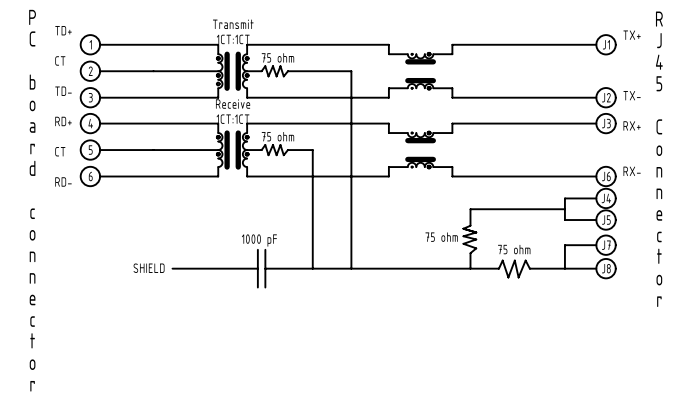
Technical data:
 In accordance with IEEE 802.3u & TIA 1096A
 For 10/100/1000 base transmission over UTP-5 cable
 Storage: -40°C to 85°C
 Operation: -25°C to 70°C
 Operating lifetime: 750 cycles min

Packaging:
 56 pieces per tray and 13 trays per carton

JACK LAYOUT



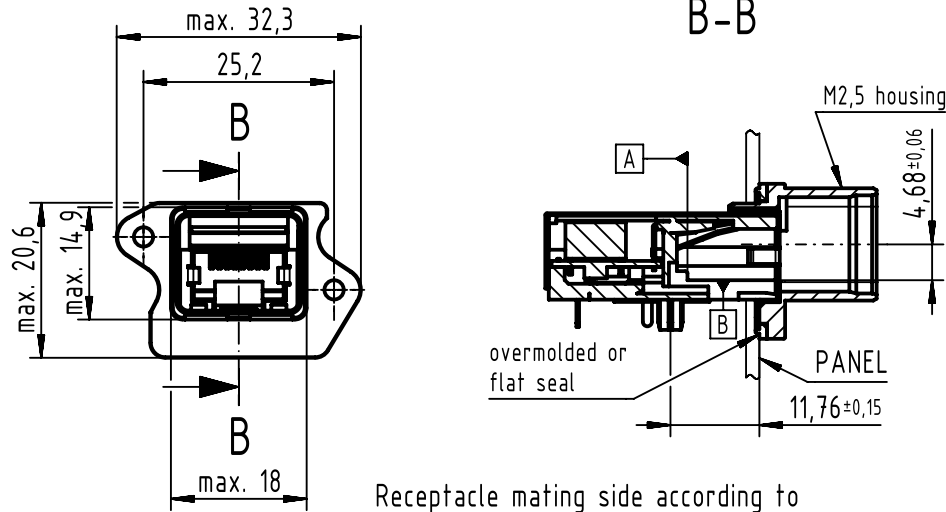
SCHEMATIC



| | | | | | | |
|---|--|---|-----------------------|-----------------------------|--------------------|---|
| | All Dimensions in mm Original Size DIN A4 | Scale 2:1 | Free size tol. | | | Ref. |
| | All rights reserved Department EC PD - RO | Created by TAMAS | Inspected by AVRAM | Standardisation HOFFMANN | Date 2016-02-18 | State Final Release |
| HARTING Electronics GmbH D-32339 Espelkamp | | Title RJ45 jack 10/100 Mbit angl. LV | | | | Doc-Key / ECM-Nr. 100654.857/UGD/001/A 500000100319 |
| | | Type TB | Number 09455511150 | | | Rev. A |
| | | | | | Page 1/4 | |

MOUNTING INSTRUCTIONS FOR HARTING PUSHPULL
COMPACT RECEPTACLE HOUSING

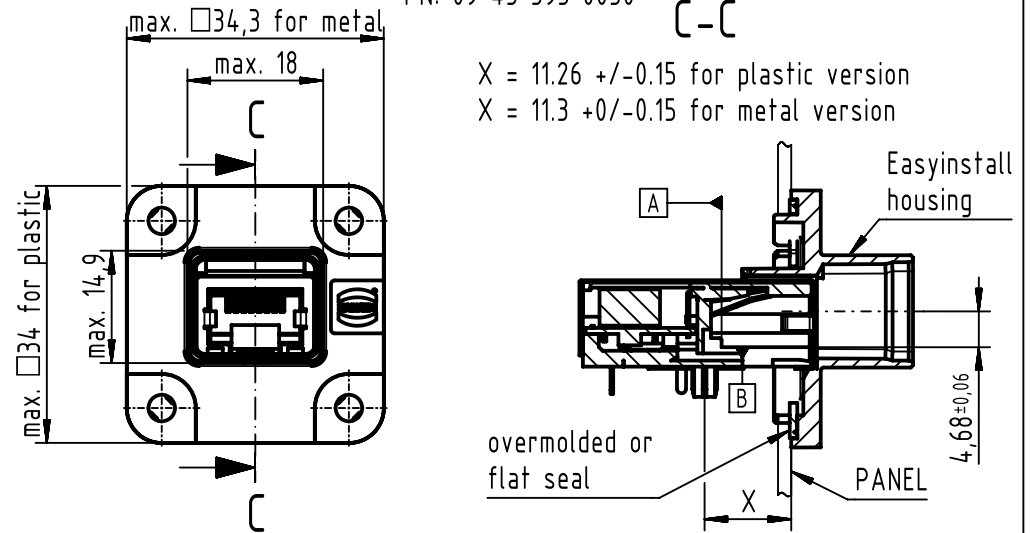
PN: 09 45 545 0023
PN: 09 45 545 0033



Receptacle mating side according to
IEC 61076-3-106 variant 4

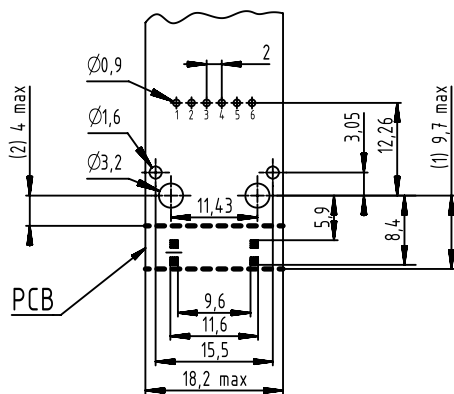
MOUNTING INSTRUCTIONS FOR HARTING PUSHPULL
EASYINSTALL RECEPTACLE HOUSINGS

PN: 09 45 545 0030
PN: 09 45 595 0030



Receptacle mating side according to
IEC 61076-3-106 variant 4

PCB LAYOUT



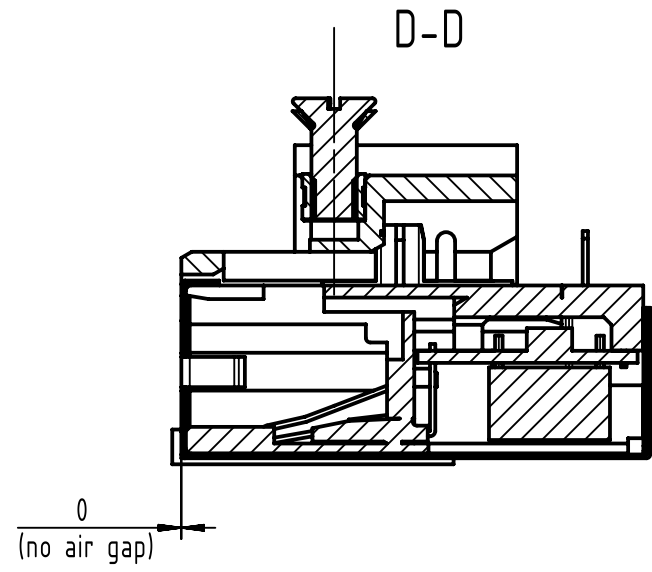
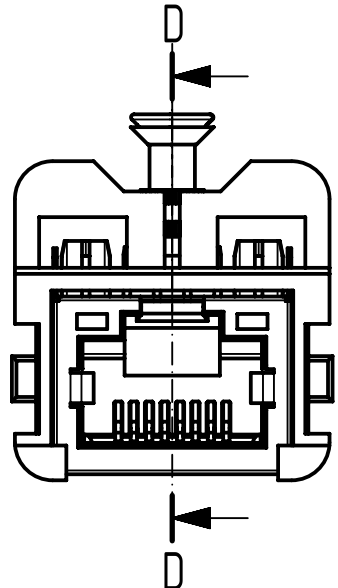
PCB thickness: 1.6mm +/- 0.1

(1) maxi PCB front side position if SMD LED used
if LED used, maxi panel thickness for Pushpull compact
receptacle housing, is 1.5mm

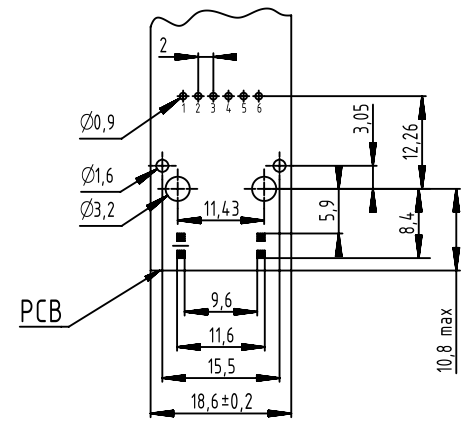
(2) maxi PCB front side position if SMD led NOT used

| | | | | | | | |
|---|--|--|-----------------------|-----------------------------|--------------------|--|--------------|
| | All rights reserved Department EC PD - RO | All Dimensions in mm Original Size DIN A4 | | | Scale 1:1 | Free size tol. | Ref. Sub. |
| | | Created by TAMAS | Inspected by AVRAM | Standardisation HOFFMANN | Date 2016-02-18 | State Final Release | |
| HARTING Electronics GmbH D-32339 Espelkamp | | Title RJ45 jack 10/100 Mbit angl. LV | | | | Doc-Key / ECM-Nr. 100654857/UGD/001/A 500000100319 | |
| | | Type TB | Number 09455511150 | | | Rev. A | Page 2/4 |

MOUNTING INSTRUCTION FOR HAN 3A RJ45 HOUSING
 WITH HAN 3A ADAPTER WITHOUT FIXING CLIPS
 09 45 515 0022



PCB LAYOUT

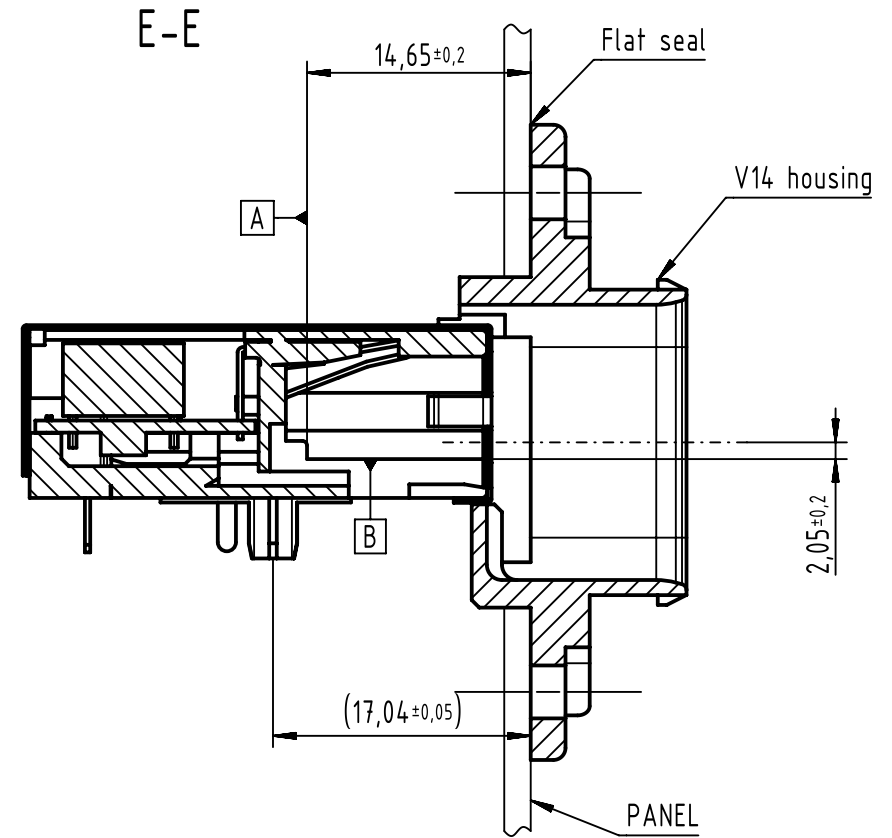
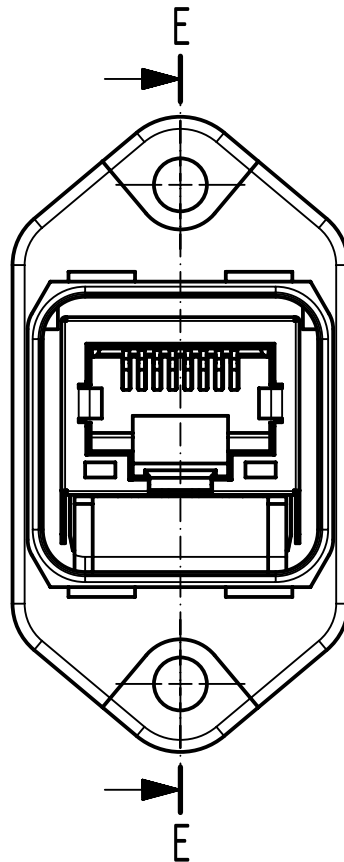


Receptacle mating side according to
 IEC 61076-3-106 variant 5

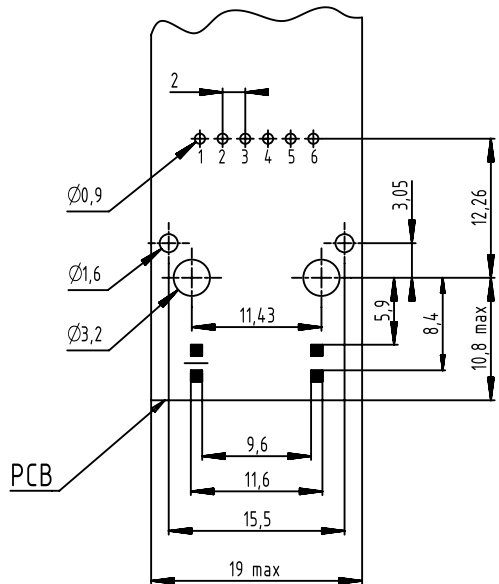
| | | | | | | | |
|---|--|--|-----------------------|-----------------------------|--------------------|--|-------------|
| | All rights reserved Department EC PD - RO | All Dimensions in mm Original Size DIN A4 | | Scale 2:1 | Free size tol. | Ref. | |
| | | Created by TAMAS | Inspected by AVRAM | Standardisation HOFFMANN | Date 2016-02-18 | State Final Release | |
| HARTING Electronics GmbH D-32339 Espelkamp | | Title RJ45 jack 10/100 Mbit angl. LV | | | | Doc-Key / ECM-Nr. 100654857/UGD/001/A 500000100319 | |
| | | Type TB | Number 09455511150 | | | Rev. A | Page 3/4 |

MOUNTING INSTRUCTION FOR HAN PUSH/PULL RJ45 HOUSING
09 35 002 0301

Receptacle mating side according to
DIN EN 61076-3-117



PCB LAYOUT



PCB thickness: 1.6mm +/-0.1

| | | | | | | | | |
|---|--|---|---------------------|-----------------------|-----------------------------|--------------------|--|-------------|
| | All rights reserved Department EC PD - RO | All Dimensions in mm Original Size DIN A4 | | | Scale 2:1 | Free size tol. | Ref. | |
| | | HARTING Electronics GmbH D-32339 Espelkamp | Created by TAMAS | Inspected by AVRAM | Standardisation HOFFMANN | Date 2016-02-18 | State Final Release | Sub. |
| Title RJ45 jack 10/100 Mbit angl. LV | | | | | | | Doc-Key / ECM-Nr. 100654857/UGD/001/A 500000100319 | |
| Type TB | | | | | Number 09455511150 | | Rev. A | Page 4/4 |