

0.1- 1.5 GHz

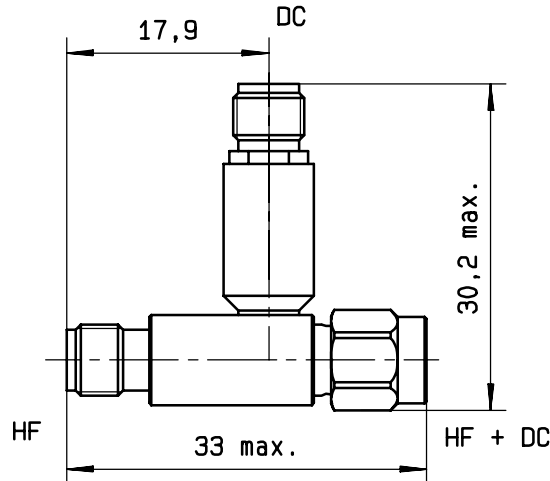
SMA

MONITOR TEE

issue
24. jan.94

Page
1 / 1

DRAWING



General tolerances: +/- 0.5 mm

R F CHARACTERISTICS

FREQUENCY RANGE : 0.1 - 1.5 GHz
 IMPEDANCE : 50 Ohms

FREQUENCY	0.1- 1 GHz	1 - 1.5 GHz
V.S.W.R	<= 1.25	<= 1.30
INSERTION LOSS	<= 0.35 dB	<= 0.35 dB

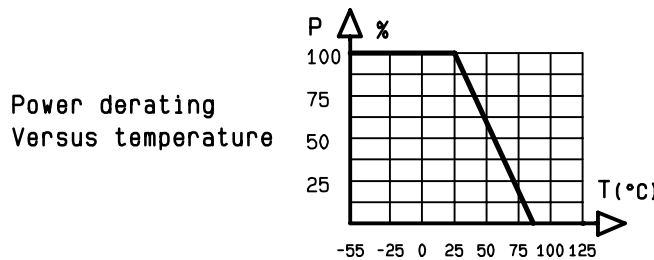
REJECTION ATTENUATION : 40 dB
 DC RESISTANCE OF INDUCTANCE : 1.5 Ohms
 MAXIMUM DC CURRENT : 250 mA
 MAXIMUM DC VOLTAGE : 100 V
 TYPICAL CAPACITANCE : 4700 pF
 AVERAGE POWER at 25°C : 10 W

MECHANICAL CHARACTERISTICS

CONNECTORS : SMA male/female per MIL-C 39012
 WEIGHT : < 15 g

ENVIRONMENTAL CHARACTERISTICS

OPERATING TEMPERATURE RANGE (°C) : -40 , +85
 STORAGE TEMPERATURE RANGE (°C) : -40 , +85



This information is given as an indication. In the continual goal to improve our products, we reserve the right to make any modifications judged necessary.

QUALITY Dpt app. _____			
CREATION PEN : CAT EP : ----- Nom : AB Date:10. jun.88	24. jan.94	15000 pF ----> 4700 pF	VE
	ISSUE	REVISIONS	NAME

RADIALL®

101. Philibert Hoffmann | Phone:33.1.49353535
 - Z.I Ouest - | Fax :33.1.48546363
 93116 ROSNY/BOIS Cedex-FRANCE | Tlx RADIA 235220F