

Adjustable Phase Shifter, DC to 8GHz, With an Adjustable Phase of 60 Deg. Per GHz and SMA

## Phase Shifters and Trimmers Technical Data Sheet

**PE82P5006**

### Features

- Phase Tuning Range: 0 to 480 degrees
- Rotary Dial Design for Continuous Adjustment
- Frequency Range from DC to 8GHz
- SMA Female Connectorized Design
- Max VSWR 1.5:1
- Max Power Rating: 100 Watts (CW)
- Insertion Loss: 1.25 dB Max

### Applications

- Test & Measurements
- Radar Development
- Military Communications Systems
- Phase Array Antenna System
- Satellite Communications

### Description

Pasternack's PE82P5006 is a phase shifter that has phase adjustment range of 60 degrees per GHz with precision rotary dial design for controllable phase adjustment across a frequency range from 0 to 8GHz. With SMA female connectors, this RF phase shifter design is tried and true technology that offers exceptional RF performance characteristics that include 1.25 dB maximum insertion loss and a maximum VSWR of 1.5:1. Phase shifters are part of Pasternack's comprehensive RF passive product offerings which are available in stock and ready for same-day shipment.

### Electrical Specifications

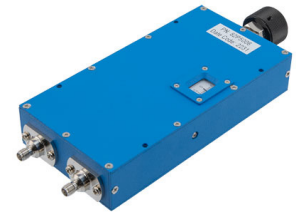
Description	Minimum	Typical	Maximum	Units
Frequency Range	DC		8	GHz
Impedance		50		Ohms
Phase Shift	0		480	Degrees
Phase Adjustment	0		60	Deg/GHz
VSWR			1.5:1	
Insertion Loss			1.25	dB
Input Power, CW			100	Watts
Input Power, Peak 5µs pulse, 1% duty cycle			5	kWatts

### Mechanical Specifications

#### Size

Length	7.87 in [199.9 mm]
Width/Diameter	2.99 in [75.95 mm]
Height	1.2 in [30.48 mm]
Weight	1.08 lbs [489.88 g]
Body Material and Plating	Aluminum

Click the following link (or enter part number in "SEARCH" on website) to obtain additional part information including price, inventory and certifications: [Adjustable Phase Shifter, DC to 8GHz, With an Adjustable Phase of 60 Deg. Per GHz and SMA PE82P5006](#)



Adjustable Phase Shifter, DC to 8GHz, With an Adjustable Phase of 60 Deg. Per GHz and SMA

## Phase Shifters and Trimmers Technical Data Sheet

**PE82P5006**

### Configuration

Input Connector	SMA Female
Output Connector	SMA Female

### Environmental Specifications

#### Temperature

Operating Range	-10 to 50 deg C
Storage Range	-40 to 70 deg C

**Compliance Certifications** (see [product page](#) for current document)

### Plotted and Other Data

Notes:

Adjustable Phase Shifter, DC to 8GHz, With an Adjustable Phase of 60 Deg. Per GHz and SMA from Pasternack Enterprises has same day shipment for domestic and International orders. Our RF, microwave and millimeter wave products maintain a 99.4% availability and are part of the broadest selection in the industry.

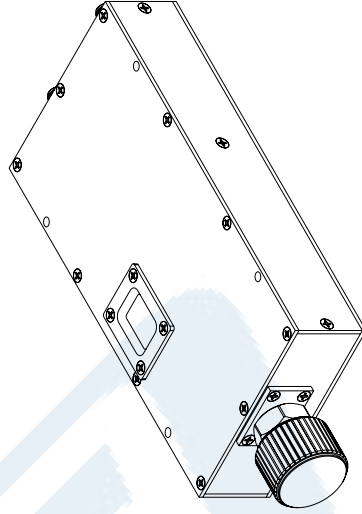
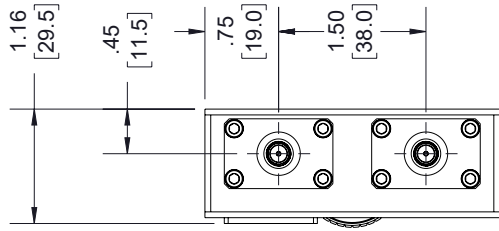
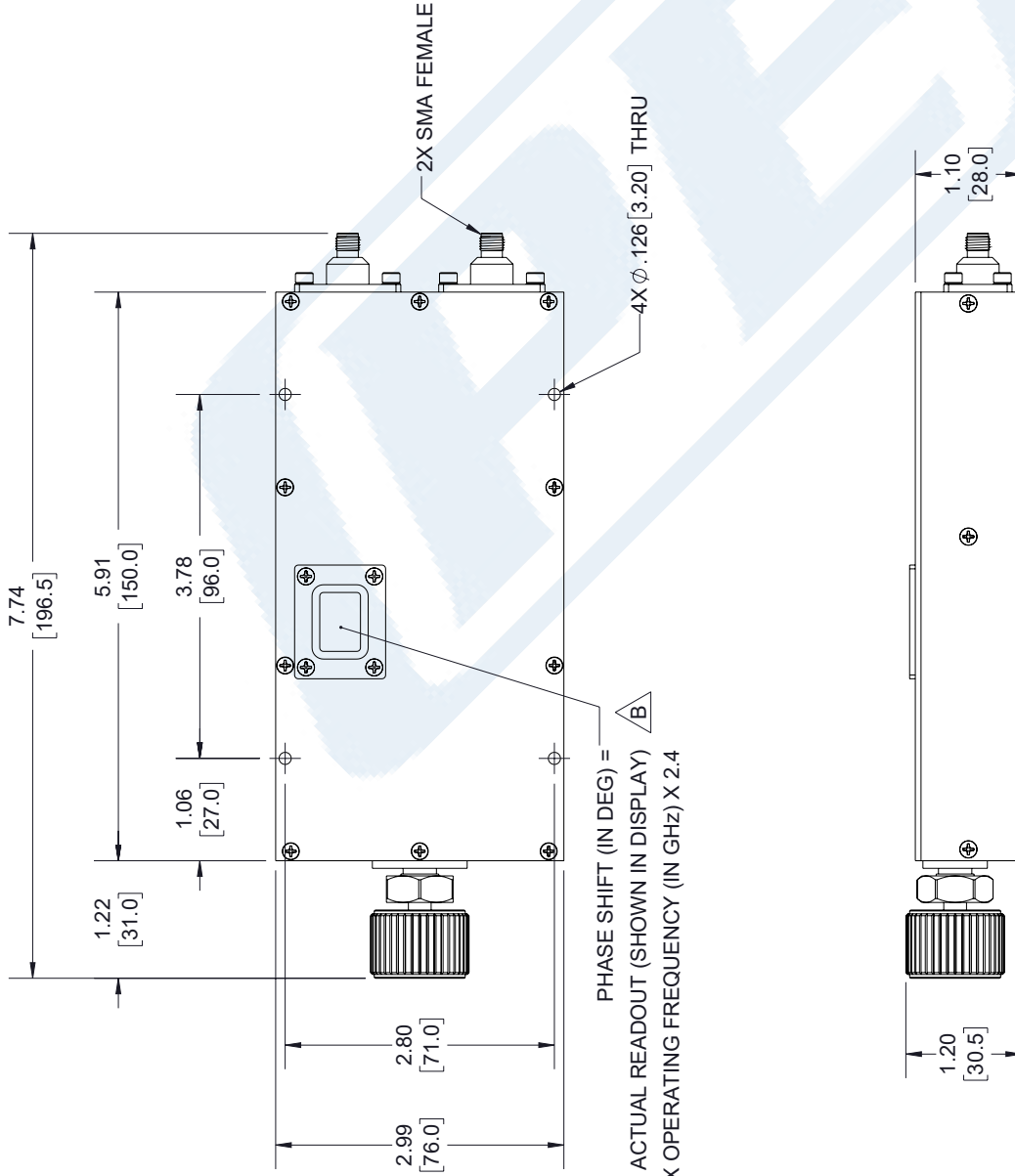
Click the following link (or enter part number in "SEARCH" on website) to obtain additional part information including price, inventory and certifications: [Adjustable Phase Shifter, DC to 8GHz, With an Adjustable Phase of 60 Deg. Per GHz and SMA PE82P5006](#)

URL: <https://www.pasternack.com/adjustable-phase-shifter-8-ghz-60-deg-per-ghz-sma-pe82p5006-p.aspx>

# PE82P5006 CAD Drawing

Adjustable Phase Shifter, DC to 8GHz, With an Adjustable Phase of 60 Deg. Per GHz and SMA

REVISIONS			
REV.	DESCRIPTION	DATE	APPROVED
B	PCR PE82P5004 20220908	11/07/2022	SPONG



UNLESS OTHERWISE SPECIFIED  
LEADING DIMENSIONS ARE INCHES  
DIMENSIONS IN [ ] ARE MILLIMETERS

TOLERANCES:  
 .X = ±.2 [5.08]      FRACTIONS ± 1/32  
 .XX = ±.02 [.51]      ANGLES ± 1°  
 .XXX = ±.005 [.13]      CABLE LENGTH (L) TOLERANCES:  
     L ≤ 12 [305] = +1 [25] / -0  
     12 [305] < L ≤ 60 [1524] = +2 [51] / -0  
     60 [1524] < L ≤ 120 [3048] = +4 [102] / -0  
     120 [3048] < L ≤ 300 [7620] = +6 [152] / -0  
     300 [7620] < L = +5% / L / -0

ALL DIMENSIONS SHOWN  
ARE FOR REFERENCE ONLY.

**PE PASTERNAK**  
an INFINITI brand

Pasternack Enterprises, Inc.  
P. O. Box 16759, Irvine, CA 92623.  
Phone: 1.949.261.1920 | 1.866.727.8376  
Fax: 1.949.261.7451  
Website: www.pasternack.com  
E-mail: sales@pasternack.com

THIRD-ANGLE PROJECTION

THE INFORMATION AND DESIGN IN THIS DOCUMENT IS THE PROPERTY OF PASTERNAK CORPORATION. ALL RIGHTS RESERVED.

SHEET 1 OF 1  
SCALE N/A

ITEM NO. PE82P5006  
CAGE CODE A 53919  
DRAWN BY: KDANG  
REV B