

Product change notification

PCN15-04 – KSA

Document revision

Revision	Date	Description	Author
A	December 03, 2015	Creation	J. Smolinski
B	April 29, 2016	Change in date of application	J. Smolinski

Summary

1. Purpose	4
2. Overview.....	4
3. Change impact and qualification method	5
4. Part numbers affected	5
5. Date of application.....	5
6. Conditions of application	5
7. Support	6
Annex 1 – Old / New part numbers table	7

1. Purpose

C&K components, as design and manufacturing company for micro-miniature tact switches, is constantly looking to improve the manufacturing means and processes in order to continue serving its customers with the highest performance level

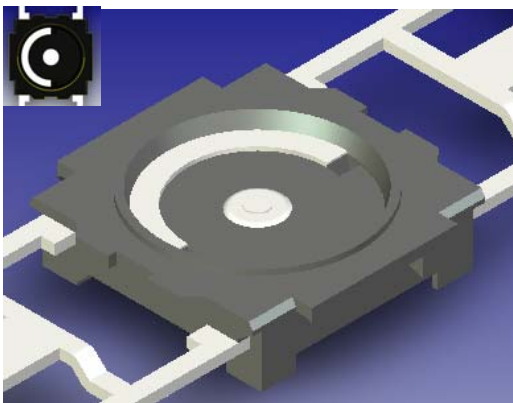
As part of this continuous improvement policy, C&K Components has engaged a program around the KSA series and all its related variations: KSF, KSFI, KSI, KSJ and KSL. This program consists in the renewal of some of our production tooling

2. Overview

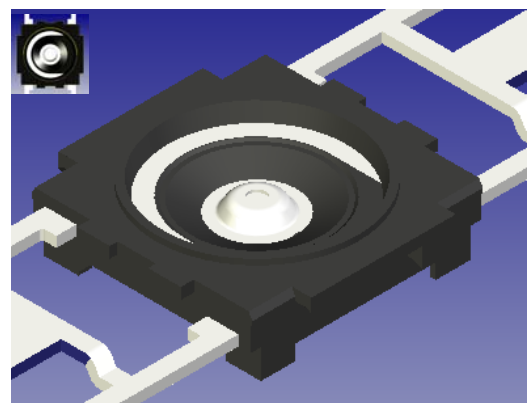
- ⇒ New stamping tool for fixed contact
- ⇒ New mold for the switch base

These two production tools are being built anew with some differences compared to the existing versions:

Current configuration

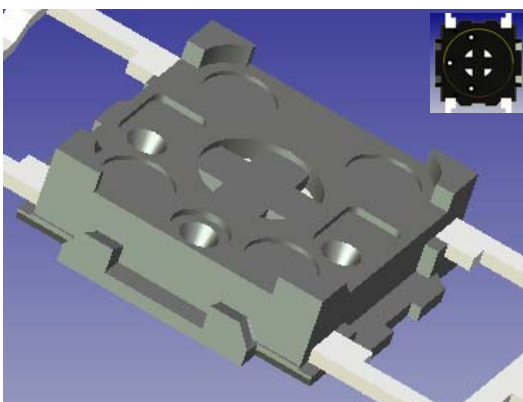


New configuration

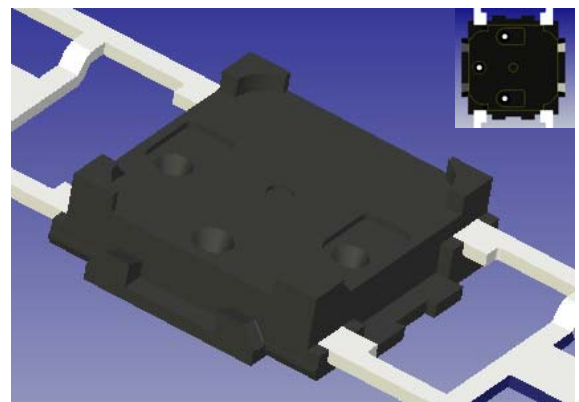


In the new configuration, the peripheral contact zone has been increased. The central contact is now with an anti-particle shape surrounded by a recessed area

Current configuration



New configuration



In the new configuration, the central area is now the injection point (was dedicated to molding insert support). Ejectors locations have been removed

3. Change impact and qualification method

3.1 Impact of changes

These evolutions do not change the performances and integration of the switch and therefore, the contents of KSA, KSF, KSFI, KSI, KSJ and KSL specifications remain applicable

3.2 Qualification

Complete re-qualification at C&K. PPAP will be available

4. Part numbers affected

Designation/description will see an additional "R" for Renew, placed after the LFX indication: LFT becomes LFTR and LFG becomes LFGR

The part number in the Y33 format will be changed to trace the new switch base also, from Y33A to Y33R

The list of all impacted KSA, KSF, KSFI, KSI, KSJ and KSL products can be found in Annex 1 at the end of this document with current and new part numbers

5. Date of application

- Samples are available
- PPAP are available upon request
- Last time buy: June 6th 2016
- Last time Delivery: 15 weeks after reception of the last order (ending September 16th 2016)
- Date for first deliveries of new version: W38/2016 (week of the 19th of September). At this date, the remaining backlog on old part numbers will be transferred on the new part number.

6. Conditions of application

Pricing and stock handling policy:

* Pricing: any pricing and other sales conditions remain valid

* Stock handling: no obsolescence and no specification modification are applied on any P/N. No return or scrap for obsolescence will be accepted

7. Support

For any question, please contact your local Sales Representative or the following e-mail address:
pcn.ksa@ck-components.com

Annex 1 – Old / New part numbers table

Existing Part Number	Existing Description	New Part Number	New Description
Y33A211NCFP LFT	KSJOV211 conn 3,3 LFT	Y33R211NCFP LFT	KSJOV211 conn 3,3 LFTR
Y33A211N9FP LFT	KSJOV211 80SH LFT	Y33R211N9FP LFT	KSJOV211 80SH LFTR
Y33A211SCFP LFT	KSLOV211 WH conn 3,3 LFT	Y33R211SCFP LFT	KSLOV211 WH conn 3,3 LFTR
Y33A21109FP LFT	KSAOV211 ACT.H2,9 LFT	Y33R21109FP LFT	KSAOV211 ACT.H2,9 LFTR
Y33A2111CFP LFT	KSAOV211 CONNEXIONS 3,3 LFT	Y33R2111CFP LFT	KSAOV211 CONNEXIONS 3,3 LFTR
Y33A21119FP LFT	KSAOV211 LFT	Y33R21119FP LFT	KSAOV211 LFTR
Y33A21119FPKLFT	KSAOV211 LFT =S=	Y33R21119FPKLFT	KSAOV211 LFTR =S=
Y33A21127FP LFT	KSAOV211 SS ETRIER LFT	Y33R21127FP LFT	KSAOV211 SS ETRIER LFTR
Y33A2113CFP LFT	KSLOV211 conn 3,3 LFT	Y33R2113CFP LFT	KSLOV211 conn 3,3 LFTR
Y33A21137FP LFT	KSLOV211 SS ETRIER LFT	Y33R21137FP LFT	KSLOV211 SS ETRIER LFTR
Y33A21139FP LFT	KSLOV211 LFT	Y33R21139FP LFT	KSLOV211 LFTR
Y33A21139FPELFT	KSLOV211 LFT EPIQ	Y33R21139FPELFT	KSLOV211 LFTR EPIQ
Y33A21139FPKLFT	KSLOV211 LFT =S=	Y33R21139FPKLFT	KSLOV211 LFTR =S=
Y33A21169FP LFT	KSI OV211 LFT	Y33R21169FP LFT	KSI OV211 LFTR
Y33A2117PFP LFT	KSJOV211PP 60SH 2.7 LFT BULK	Y33R2117PFP LFT	KSJOV211PP 60SH 2.7 LFTR BULK
Y33A21179FP LFT	KSJOV211 60SH LFT	Y33R21179FP LFT	KSJOV211 60SH LFTR
Y33A31119FP LFT	KSAOV311 LFT	Y33R31119FP LFT	KSAOV311 LFTR
Y33A31119FPFLFT	KSAOV311 LFT BTB	Y33R31119FPFLFT	KSAOV311 LFTR BTB
Y33A31127FP LFT	KSAOV311 SS ETRIER LFT	Y33R31127FP LFT	KSAOV311 SS ETRIER LFTR
Y33A31139FP LFT	KSLOV311 LFT	Y33R31139FP LFT	KSLOV311 LFTR
Y33A31139FPKLFT	KSLOV311 LFT =S=	Y33R31139FPKLFT	KSLOV311 LFTR =S=
Y33A411N9FP LFT	KSJOV411 80SH LFT	Y33R411N9FP LFT	KSJOV411 80SH LFTR
Y33A4111CFP LFT	KSAOV411 CONNEX 3.3 LFT	Y33R4111CFP LFT	KSAOV411 CONNEX 3.3 LFTR
Y33A41119FP LFT	KSAOV411 LFT	Y33R41119FP LFT	KSAOV411 LFTR
Y33A4112LFP LFT	KSAOV411 SS ETRIER CON 3.3 LFT	Y33R4112LFP LFT	KSAOV411 SS ETRIER CON 3.3 LFTR
Y33A41127FP LFT	KSAOV411 SS ETRIER LFT	Y33R41127FP LFT	KSAOV411 SS ETRIER LFTR
Y33A41137FP LFT	KSLOV411 SS ETRIER LFT	Y33R41137FP LFT	KSLOV411 SS ETRIER LFTR
Y33A41139FP LFT	KSLOV411 LFT	Y33R41139FP LFT	KSLOV411 LFTR
Y33A4116CFP LFT	KSI OV411 CONN 3.3 LFT	Y33R4116CFP LFT	KSI OV411 CONN 3.3 LFTR
Y33A41167FP LFT	KSI OV411 SS ETRIER LFT	Y33R41167FP LFT	KSI OV411 SS ETRIER LFTR
Y33A41169FP LFT	KSI OV411 LFT	Y33R41169FP LFT	KSI OV411 LFTR
Y33A511CEFP LFT	KSFIOV511 70SH CON 2.7 C1LFT	Y33R511CEFP LFT	KSFIOV511 70SH CON 2.7 C1LFTR
Y33A51107FP LFT	KSAOV511 ACT 2,9 SS ETRIER LFT	Y33R51107FP LFT	KSAOV511 ACT 2,9 SS ETRIER LFTR
Y33A5111CFP LFT	KSAOV511 CONNEXION 3,3 LFT	Y33R5111CFP LFT	KSAOV511 CONNEXION 3,3 LFTR
Y33A51119FP LFT	KSAOV511 LFT	Y33R51119FP LFT	KSAOV511 LFTR
Y33A5112LFP LFT	KSAOV511 SS ETRIER CON 3.3 LFT	Y33R5112LFP LFT	KSAOV511 SS ETRIER CON 3.3 LFTR
Y33A5112LFPKLFT	KSAOV511 SS ETRIER CON 3.3LFTK	Y33R5112LFPKLFT	KSAOV511 SS ETRIER CON 3.3LFTRK
Y33A51127FP LFT	KSAOV511 SS ETRIER LFT	Y33R51127FP LFT	KSAOV511 SS ETRIER LFTR
Y33A51137FP LFT	KSLOV511 SS ETRIER LFT	Y33R51137FP LFT	KSLOV511 SS ETRIER LFTR
Y33A51139FP LFT	KSLOV511 LFT	Y33R51139FP LFT	KSLOV511 LFTR
Y33A6111CFP LFT	KSAOV611 CONNEXION 3,3 LFT	Y33R6111CFP LFT	KSAOV611 CONNEXION 3,3 LFTR

Existing Part Number	Existing Description	New Part Number	New Description
Y33A6112LFP LFT	KSA0V611 SS ETRIER CON 3.3 LFT	Y33R6112LFP LFT	KSA0V611 SS ETRIER CON 3.3 LFTR
Y33A71127FP LFT	KSA0V711 SS ETRIER FR>0.9 LFT	Y33R71127FP LFT	KSA0V711 SS ETRIER FR>0.9 LFTR
Y33A911CCFP LFT	KSFIOV911 70 SH CONNEX 3,3 LFT	Y33R911CCFP LFT	KSFIOV911 70 SH CONNEX 3,3 LFTR
Y33A911CCFPVLFT	KSFIOV911 70 SH CONNEX 3,3LFTV	Y33R911CCFPVLFT	KSFIOV911 70 SH CONNEX 3,3LFTRV
Y33A911NCFP LFT	KSJ0V911 80SH CONN. 3.3 LFT	Y33R911NCFP LFT	KSJ0V911 80SH CONN. 3.3 LFTR
Y33A911NCFPTV10	KSJ0V911 80SH CONN. 3.3 LFT	Y33R911NCFPTV10	KSJ0V911 80SH CONN. 3.3 LFTR
Y33A9111EFP LFT	KSA0V911 PATTES 2.7 ETR SP LFT	Y33R9111EFP LFT	KSA0V911 PATTES 2.7 ETR SP LFTR
Y33A91119FP LFT	KSA0V911 LFT	Y33R91119FP LFT	KSA0V911 LFTR
Y33A91127FP LFT	KSA0V911 SS ETRIER LFT	Y33R91127FP LFT	KSA0V911 SS ETRIER LFTR
Y33B2117PFP LFT	KSJ0V211PP 60SH LFT TR	Y33R2117PFP LFT	KSJ0V211PP 60SH LFTR TR
Y33AD18LCFP LFT	KSJ0VD18 60SH CON3.3 LFT	Y33RD18LCFP LFT	KSJ0VD18 60SH CON3.3 LFTR
Y33AD18L9FP LFT	KSJ0VD18 60SH LFT	Y33RD18L9FP LFT	KSJ0VD18 60SH LFTR
Y33A01167FP LFT	KSI011 'LNZ' LFT CON3.3	Y33R01167FP LFT	KSI011 'LNZ' LFTR CON3.3
Y33A01169FP LFT	KSIOV011 LFT	Y33R01169FP LFT	KSIOV011 LFTR
Y33A211N5FP LFT	KSJ0M211 80 SH LFT	Y33R211N5FP LFT	KSJ0M211 80 SH LFTR
Y33A21102FP LFT	KSA1A211 ACT 2.9 LFT	Y33R21102FP LFT	KSA1A211 ACT 2.9 LFTR
Y33A21106FP LFT	KSA1M211 ACT 2.9 LFT	Y33R21106FP LFT	KSA1M211 ACT 2.9 LFTR
Y33A21111FP LFT	KSA0A211 LFT	Y33R21111FP LFT	KSA0A211 LFTR
Y33A21112FP LFT	KSA1A211 LFT	Y33R21112FP LFT	KSA1A211 LFTR
Y33A21115FP LFT	KSA0M211 LFT	Y33R21115FP LFT	KSA0M211 LFTR
Y33A21116FP LFT	KSA1M211 LFT	Y33R21116FP LFT	KSA1M211 LFTR
Y33A21132FP LFT	KSL1A211 LFT	Y33R21132FP LFT	KSL1A211 LFTR
Y33A21135FP LFT	KSL0M211 LFT	Y33R21135FP LFT	KSL0M211 LFTR
Y33A21135FPKLFT	KSL0M211 LFT =S=	Y33R21135FPKLFT	KSL0M211 LFTR =S=
Y33A21136FP LFT	KSL1M211 LFT	Y33R21136FP LFT	KSL1M211 LFTR
Y33A21151FP LFT	KSF0A211 LFT	Y33R21151FP LFT	KSF0A211 LFTR
Y33A21155FP LFT	KSF0M211 LFT	Y33R21155FP LFT	KSF0M211 LFTR
Y33A21156FP LFT	KSF1M211 LFT	Y33R21156FP LFT	KSF1M211 LFTR
Y33A21157FP LFT	KSF 211 CCM LFT	Y33R21157FP LFT	KSF 211 CCM LFTR
Y33A21175FP LFT	KSJ0M211 60SH LFT	Y33R21175FP LFT	KSJ0M211 60SH LFTR
Y33A21196FP LFT	KSL1M211 ACT BLANC LFT	Y33R21196FP LFT	KSL1M211 ACT BLANC LFTR
Y33A31111FP LFT	KSA0A311 LFT	Y33R31111FP LFT	KSA0A311 LFTR
Y33A31115FP LFT	KSA0M311 LFT	Y33R31115FP LFT	KSA0M311 LFTR
Y33A31116FP LFT	KSA1M311 LFT	Y33R31116FP LFT	KSA1M311 LFTR
Y33A31135FP LFT	KSL0M311 LFT	Y33R31135FP LFT	KSL0M311 LFTR
Y33A31155FP LFT	KSF0M311 LFT	Y33R31155FP LFT	KSF0M311 LFTR
Y33A411N1FP LFT	KSJ0A411 80SH LFT	Y33R411N1FP LFT	KSJ0A411 80SH LFTR
Y33A411N5FP LFT	KSJ0M411 80SH LFT	Y33R411N5FP LFT	KSJ0M411 80SH LFTR
Y33A411N6FP LFT	KSJ1M411 80SH LFT	Y33R411N6FP LFT	KSJ1M411 80SH LFTR
Y33A411T5FP LFT	KSL0M411 H7,5 LFT	Y33R411T5FP LFT	KSL0M411 H7,5 LFTR
Y33A411W5FP LFT	KSJ0M411 ST1 LFT	Y33R411W5FP LFT	KSJ0M411 ST1 LFTR
Y33A41105FP LFT	KSA0M411 ACT.H2,9 LFT	Y33R41105FP LFT	KSA0M411 ACT.H2,9 LFTR
Y33A41111FP LFT	KSA0A411 LFT	Y33R41111FP LFT	KSA0A411 LFTR
Y33A41115FP LFT	KSA0M411 LFT	Y33R41115FP LFT	KSA0M411 LFTR

C&K components

C&K components SAS – 2 rue Berthollet - B.P. 359 F-39105 Dole Cedex - FRANCE
 Telephone: +33 (0)3 84 72 81 12 - Facsimile: +33 (0)3 84 72 95 92 – www.ck-components.com

Document subject to change without prior notice
 Diffusion: no restriction

Existing Part Number	Existing Description	New Part Number	New Description
Y33A41115FPKLFT	KSA0M411 LFT =S=	Y33R41115FPKLFT	KSA0M411 LFTR =S=
Y33A41116FP LFT	KSA1M411 LFT	Y33R41116FP LFT	KSA1M411 LFTR
Y33A411131FP LFT	KSL0A411 LFT	Y33R411131FP LFT	KSL0A411 LFTR
Y33A411135FP LFT	KSL0M411 LFT	Y33R411135FP LFT	KSL0M411 LFTR
Y33A411136FP LFT	KSL1M411 LFT	Y33R411136FP LFT	KSL1M411 LFTR
Y33A411136FPKLFT	KSL1M411 LFT =S=	Y33R411136FPKLFT	KSL1M411 LFTR =S=
Y33A411155FP LFT	KSF0M411 LFT	Y33R411155FP LFT	KSF0M411 LFTR
Y33A411157FP LFT	KSF411 CCM LFT	Y33R411157FP LFT	KSF411 CCM LFTR
Y33A411165FP LFT	KSI0M411 LFT	Y33R411165FP LFT	KSI0M411 LFTR
Y33A511111FP LFT	KSA0A511 LFT	Y33R511111FP LFT	KSA0A511 LFTR
Y33A511112FP LFT	KSA1A511 LFT	Y33R511112FP LFT	KSA1A511 LFTR
Y33A511115FP LFT	KSA0M511 LFT	Y33R511115FP LFT	KSA0M511 LFTR
Y33A511115FPELFT	KSA0M511 LFT EPIQ	Y33R511115FPELFT	KSA0M511 LFTR EPIQ
Y33A511116FP LFT	KSA1M511 LFT	Y33R511116FP LFT	KSA1M511 LFTR
Y33A511135FP LFT	KSL0M511 LFT	Y33R511135FP LFT	KSL0M511 LFTR
Y33A511136FP LFT	KSL1M511 LFT	Y33R511136FP LFT	KSL1M511 LFTR
Y33A511151FP LFT	KSF0A511 LFT	Y33R511151FP LFT	KSF0A511 LFTR
Y33A511155FP LFT	KSF0M511 LFT	Y33R511155FP LFT	KSF0M511 LFTR
Y33A711115FP LFT	KSA0M511 FR>OU=2N LFT	Y33R711115FP LFT	KSA0M511 FR>OU=2N LFTR
Y33A711157FP LFT	KSF711 CCM LFT	Y33R711157FP LFT	KSF711 CCM LFTR
Y33A911N5FP LFT	KSJ0M911 80SH LFT	Y33R911N5FP LFT	KSJ0M911 80SH LFTR
Y33A911115FP LFT	KSA0M911 LFT	Y33R911115FP LFT	KSA0M911 LFTR
Y33A911116FP LFT	KSA1M911 LFT	Y33R911116FP LFT	KSA1M911 LFTR
Y33A911155FP LFT	KSF0M911 LFT	Y33R911155FP LFT	KSF0M911 LFTR
Y33A911157FP LFT	KSF911 CCM LFT	Y33R911157FP LFT	KSF911 CCM LFTR
Y33AD18L5FP LFT	KSJ0MD18 60SH LFT	Y33RD18L5FP LFT	KSJ0MD18 60SH LFTR
Y33A01165FP LFT	KSI0M011 LFT	Y33R01165FP LFT	KSI0M011 LFTR
Y33A01175FP LFT	KSJ0M011 60SH LFT	Y33R01175FP LFT	KSJ0M011 60SH LFTR
Y33A601N5FP LFT	KSJ0M601 80SH REFLOW LFT	Y33R601N5FP LFT	KSJ0M601 80SH REFLOW LFTR
Y33A231N9FP LFT	KSJ0V231 80SH LFT	Y33R231N9FP LFT	KSJ0V231 80SH LFTR
Y33A23179FP LFT	KSJ0V231 60SH LFT	Y33R23179FP LFT	KSJ0V231 60SH LFTR
Y33A33109FP LFT	KSA0V331 ACT 2,9 LFT	Y33R33109FP LFT	KSA0V331 ACT 2,9 LFTR
Y33A33119FP LFT	KSA0V331 LFT	Y33R33119FP LFT	KSA0V331 LFTR
Y33A33127FP LFT	KSA0V331 SS ETRIER LFT	Y33R33127FP LFT	KSA0V331 SS ETRIER LFTR
Y33A33137FP LFT	KSL0V331 SS ETRIER LFT	Y33R33137FP LFT	KSL0V331 SS ETRIER LFTR
Y33A33139FP LFT	KSL0V331 LFT	Y33R33139FP LFT	KSL0V331 LFTR
Y33A431N7FP LFT	KSJ0V431 80SH SS ETRIER LFT	Y33R431N7FP LFT	KSJ0V431 80SH SS ETRIER LFTR
Y33A431N9FP LFT	KSJ0V431 80SH LFT	Y33R431N9FP LFT	KSJ0V431 80SH LFTR
Y33A43119FP LFT	KSA0V431 LFT	Y33R43119FP LFT	KSA0V431 LFTR
Y33A43127FP LFT	KSA0V431 SS ETRIER LFT	Y33R43127FP LFT	KSA0V431 SS ETRIER LFTR
Y33A43139FP LFT	KSL0V431 LFT	Y33R43139FP LFT	KSL0V431 LFTR
Y33A436NCFP LFT	KSJ0V436 80 SH conn 3,3 LFT	Y33R436NCFP LFT	KSJ0V436 80 SH conn 3,3 LFTR
Y33A53119FP LFT	KSA0V531 LFT	Y33R53119FP LFT	KSA0V531 LFTR
Y33A53139FP LFT	KSL0V531 LFT	Y33R53139FP LFT	KSL0V531 LFTR



C&K components SAS – 2 rue Berthollet - B.P. 359 F-39105 Dole Cedex - FRANCE
 Telephone: +33 (0)3 84 72 81 12 - Facsimile: +33 (0)3 84 72 95 92 – www.ck-components.com

Document subject to change without prior notice
 Diffusion: no restriction

Existing Part Number	Existing Description	New Part Number	New Description
Y33A93119FP LFT	KSA0V931 LFT	Y33R93119FP LFT	KSA0V931 LFTR
Y33A93127FP LFT	KSA0V931 SS ETRIER LFT	Y33R93127FP LFT	KSA0V931 SS ETRIER LFTR
Y33A93139FP LFT	KSL0V931 LFT	Y33R93139FP LFT	KSL0V931 LFTR
Y33A23109FP LFG	KSA0V231 ACT 2.9 LFG	Y33R23109FP LFG	KSA0V231 ACT 2.9 LFGR
Y33A33117FP LFG	KSA0V331 LFG SS ETRIER	Y33R33117FP LFG	KSA0V331 LFGR SS ETRIER
Y33A33119FP LFG	KSA0V331 LFG	Y33R33119FP LFG	KSA0V331 LFGR
Y33A33139FP LFG	KSL0V331 LFG	Y33R33139FP LFG	KSL0V331 LFGR
Y33A431N7FP LFG	KSJ0V431 80SH SS ETRIER LFG	Y33R431N7FP LFG	KSJ0V431 80SH SS ETRIER LFGR
Y33AD38LCFP LFT	KSJ0VD38 60SH CON 3.3 LFT	Y33RD38LCFP LFT	KSJ0VD38 60SH CON 3.3 LFTR
Y33AD38L9FP LFT	KSJ0VD38 60SH LFT	Y33RD38L9FP LFT	KSJ0VD38 60SH LFTR
Y33A231N5FP LFT	KSJ0M231 80SH LFT	Y33R231N5FP LFT	KSJ0M231 80SH LFTR
Y33A3311CFP LFT	KSA0V331 LFT CONNEXIONS 3,3	Y33R3311CFP LFT	KSA0V331 LFTR CONNEXIONS 3,3
Y33A33111FP LFT	KSA0A331 LFT	Y33R33111FP LFT	KSA0A331 LFTR
Y33A33112FP LFT	KSA1A331 LFT	Y33R33112FP LFT	KSA1A331 LFTR
Y33A33115FP LFT	KSA0M331 LFT	Y33R33115FP LFT	KSA0M331 LFTR
Y33A33116FP LFT	KSA1M331 LFT	Y33R33116FP LFT	KSA1M331 LFTR
Y33A33135FP LFT	KSL0M331 LFT	Y33R33135FP LFT	KSL0M331 LFTR
Y33A33136FP LFT	KSL1M331 LFT	Y33R33136FP LFT	KSL1M331 LFTR
Y33A33155FP LFT	KSF0M331 LFT	Y33R33155FP LFT	KSF0M331 LFTR
Y33A431N5FP LFT	KSJ0M431 80SH LFT	Y33R431N5FP LFT	KSJ0M431 80SH LFTR
Y33A431N6FP LFT	KSJ1M431 80SH LFT	Y33R431N6FP LFT	KSJ1M431 80SH LFTR
Y33A43111FP LFT	KSA0A431 LFT	Y33R43111FP LFT	KSA0A431 LFTR
Y33A43115FP LFT	KSA0M431 LFT	Y33R43115FP LFT	KSA0M431 LFTR
Y33A43115FPKLT	KSA0M431 LFT =S=	Y33R43115FPKLT	KSA0M431 LFTR =S=
Y33A43116FP LFT	KSA1M431 LFT	Y33R43116FP LFT	KSA1M431 LFTR
Y33A43135FP LFT	KSL0M431 LFT	Y33R43135FP LFT	KSL0M431 LFTR
Y33A43136FP LFT	KSL1M431 LFT	Y33R43136FP LFT	KSL1M431 LFTR
Y33A43151FP LFT	KSF0A431 LFT	Y33R43151FP LFT	KSF0A431 LFTR
Y33A43155FP LFT	KSF0M431 LFT	Y33R43155FP LFT	KSF0M431 LFTR
Y33A43165FP LFT	KSI0M431 LFT	Y33R43165FP LFT	KSI0M431 LFTR
Y33A53111FP LFT	KSA0A531 LFT	Y33R53111FP LFT	KSA0A531 LFTR
Y33A53112FP LFT	KSA1A531 LFT	Y33R53112FP LFT	KSA1A531 LFTR
Y33A53115FP LFT	KSA0M531 LFT	Y33R53115FP LFT	KSA0M531 LFTR
Y33A53116FP LFT	KSA1M531 LFT	Y33R53116FP LFT	KSA1M531 LFTR
Y33A53135FP LFT	KSL0M531 LFT	Y33R53135FP LFT	KSL0M531 LFTR
Y33A53136FP LFT	KSL1M531 LFT	Y33R53136FP LFT	KSL1M531 LFTR
Y33A53155FP LFT	KSF0M531 LFT	Y33R53155FP LFT	KSF0M531 LFTR
Y33A931N5FP LFT	KSJ0M931 80SH LFT	Y33R931N5FP LFT	KSJ0M931 80SH LFTR
Y33A93111FP LFT	KSA0A931 LFT	Y33R93111FP LFT	KSA0A931 LFTR
Y33A93115FP LFT	KSA0M931 LFT	Y33R93115FP LFT	KSA0M931 LFTR
Y33A93135FP LFT	KSL0M931 LFT	Y33R93135FP LFT	KSL0M931 LFTR
Y33A231N1FP LFG	KSJ0A231 LFG 80SH EN TUBE	Y33R231N1FP LFG	KSJ0A231 LFGR 80SH EN TUBE
Y33A231N5FP LFG	KSJ0M231 80SH LFG	Y33R231N5FP LFG	KSJ0M231 80SH LFGR
Y33A431N1FP LFG	KSJ0A431 LFG 80SH	Y33R431N1FP LFG	KSJ0A431 LFGR 80SH

C&K components SAS – 2 rue Berthollet - B.P. 359 F-39105 Dole Cedex - FRANCE
 Telephone: +33 (0)3 84 72 81 12 - Facsimile: +33 (0)3 84 72 95 92 – www.ck-components.com

Document subject to change without prior notice
 Diffusion: no restriction

Existing Part Number	Existing Description	New Part Number	New Description
Y33A431N5FP LFG	KSJ0M431 80SH LFG	Y33R431N5FP LFG	KSJ0M431 80SH LFGR
Y33A431N5FPKLFG	KSJ0M431 80SH LFG =S2=	Y33R431N5FPKLFG	KSJ0M431 80SH LFGR =S2=
Y33AD38LKFP LFT	KSJ0PD38 60SH LFT	Y33RD38LKFP LFT	KSJ0PD38 60SH LFTR
Y33AD38L5FP LFT	KSJ0MD38 60SH LFT	Y33RD38L5FP LFT	KSJ0MD38 60SH LFTR