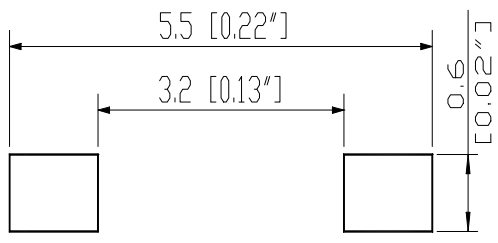
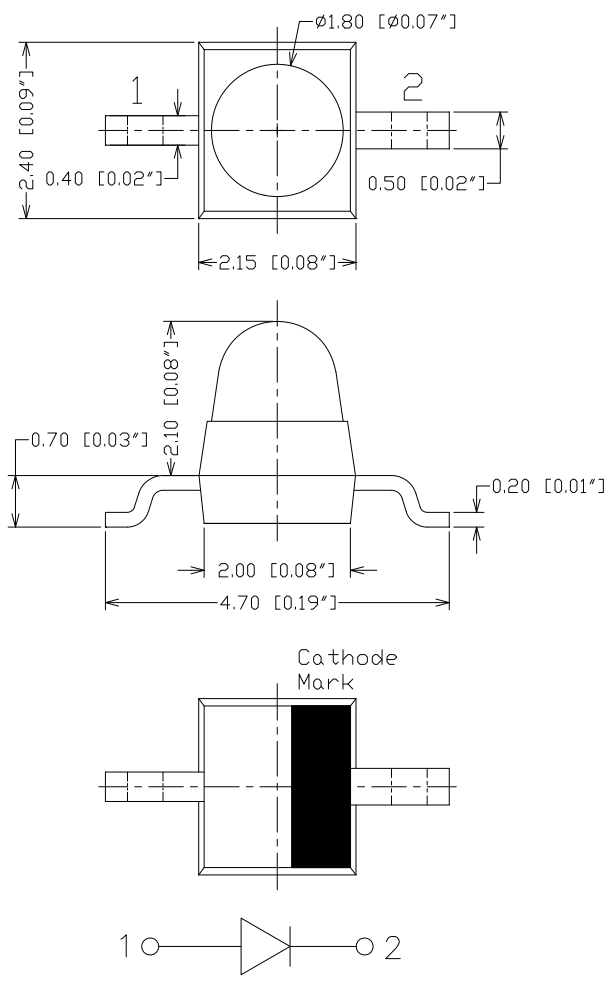


SPECIFICATION **CSM28IR940CG**
PACKAGE OUTLINES


ITEM	MATERIALS
Resin (mold)	Epoxy
Bonding Wire	Ø 25 µm Au
Lens color	Water transparent
Dice	AlGaAs
Emitted color	Infrared

- Notes:
1. All dimensions are in millimeters (inches).
 2. Tolerance is ± 0.25mm (0.01") unless otherwise noted.
 3. Specifications are subject to change without notice.

Part Number	Chip Material	Color of Emission	Lens Type	Viewing Angle
CSM28IR940CG	AlGaAs/GaAs	Infrared	Water Clear	20°



ChromeLED Corp. reserves the right to make changes at any time in order to supply the best product possible. The most current version of this document will always be available at: www.chromeled.com

ABSOLUTE MAXIMUM RATINGS
(TA=25°C)

Parameter	Symbol	Max Rating	Unit
Forward Current	I _F	100	mA
Reverse Current @ 5V	I _R	5	μA
Power Dissipation	P _d	180	mW
Operating Temperature Range	T _{OP}	-40~+80	°C
Storage Temperature Range	T _{STG}	-40~+85	°C
Peak Pulsing Current (1/10 duty f = 10KHz)	I _{FP}	1	A
Soldering Temperature	T _{SOL}	Max 260°C for 5 sec Max	

OPTICAL-ELECTRICAL CHARACTERISTICS
(TA=25°C)

Parameter	Symbol	Test Condition	Value			Unit
			Min	Typ	Max	
Luminous Intensity	I _v	I _F = 100mA	12	14	-	mW/sr
Forward Voltage	V _F	I _F = 100mA	-	1.4	1.8	V
Reverse Leakage Current	I _R	V _R = 5V	-	-	10	μA
Viewing Angle at 50% I _v	2θ _{1/2}	I _F = 100mA	-	20	-	Deg
Peak Wavelength	λ _P	I _F = 100mA	-	950	-	nm
Dominant Wavelength	λ _D	I _F = 100mA	-	940	-	nm

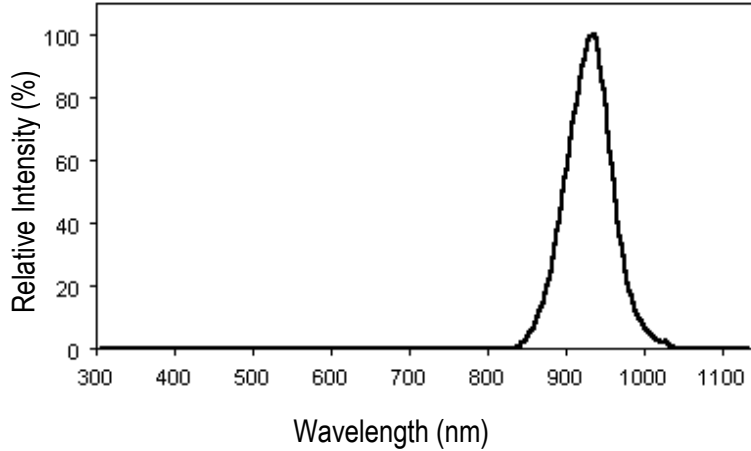
*Tolerance of viewing angle: -10 / +5 deg.



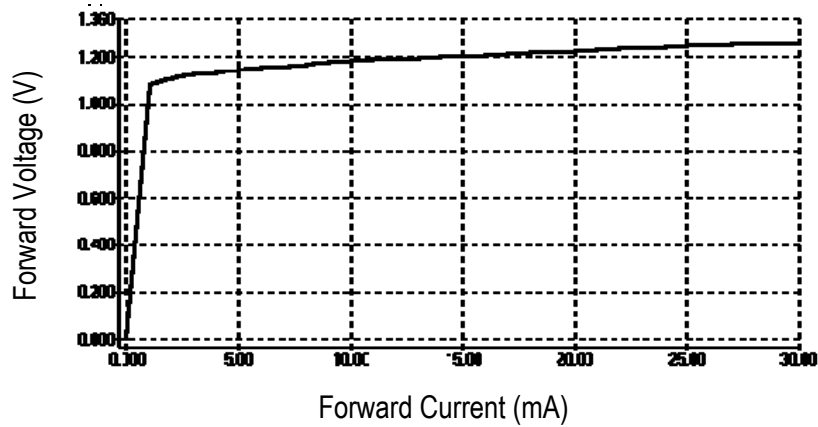
ChromeLED Corp. reserves the right to make changes at any time in order to supply the best product possible. The most current version of this document will always be available at: www.chromeled.com

OPTICAL CHARACTERISTIC CURVES

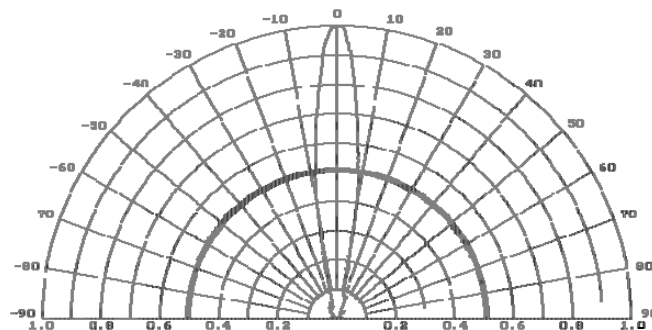
Relative Intensity vs. Wavelength



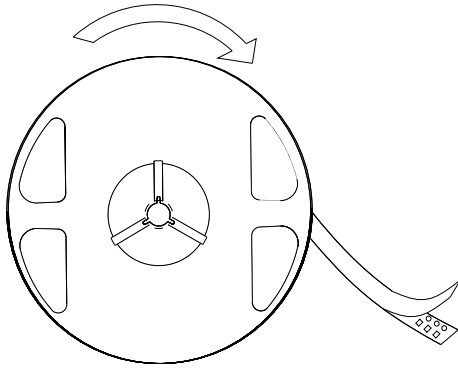
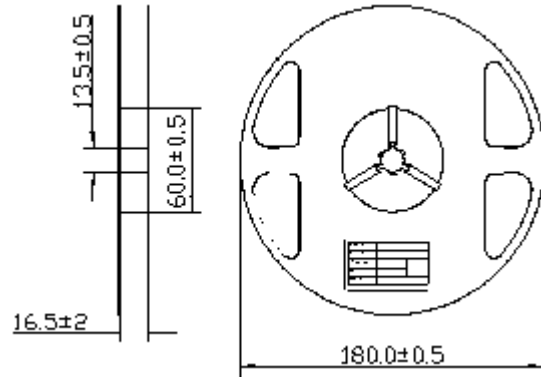
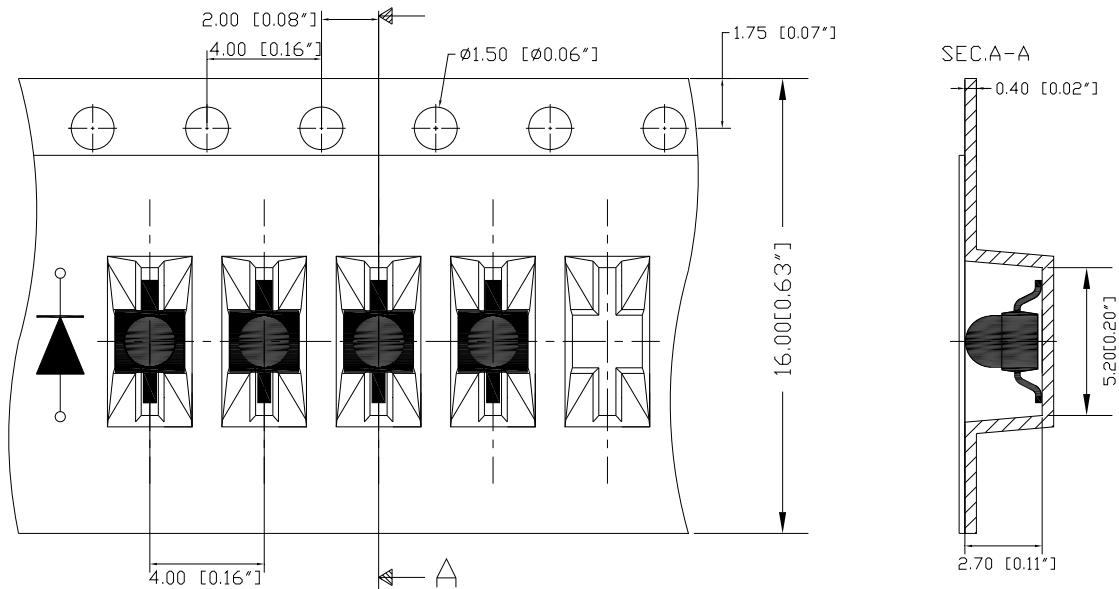
Forward Current vs. Forward Voltage



Directive Characteristics



ChromeLED Corp. reserves the right to make changes at any time in order to supply the best product possible. The most current version of this document will always be available at: www.chromeled.com

PACKAGING SPECIFICATION
● Feeding Direction

● Dimensions of Reel (Unit: mm)

● Dimensions of Tape (Unit: mm)


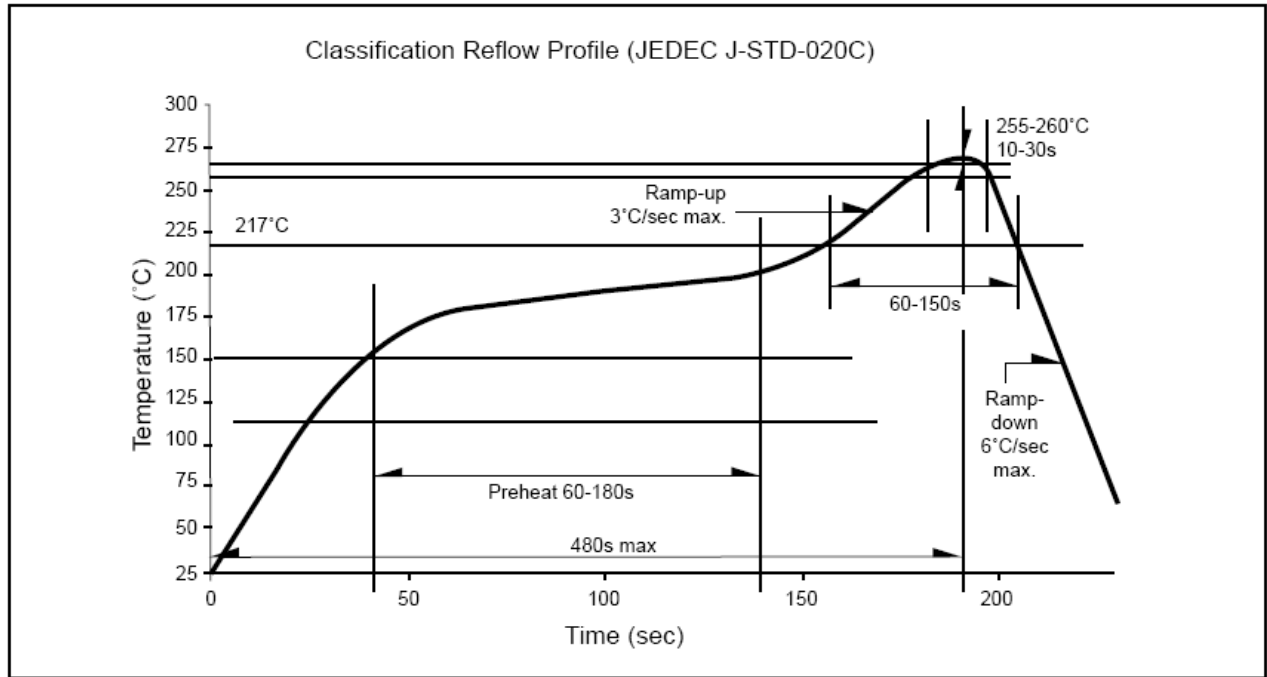
ChromeLED Corp. reserves the right to make changes at any time in order to supply the best product possible. The most current version of this document will always be available at: www.chromeled.com

SOLDERING CONDITIONS

RECOMMENDED Sn-PB IR-Reflow Soldering Profile



RECOMMENDED Pb-Free Soldering Profile



ChromeLED Corp. reserves the right to make changes at any time in order to supply the best product possible. The most current version of this document will always be available at: www.chromeled.com