

DESCRIPTION: POWER / SIGNAL - RIGHT ANGLE - MALE - MACHINED

SPECIFICATIONS:

ELECTRICAL:

INSULATOR RESISTANCE: 5 G OHMS Min.
 DIELECTRIC WITHSTANDING: 1,000VAC r.m.s.
 OPERATING TEMPERATURE: -55° C ~ +125° C
 POWER CONTACT RESISTANCE: 1.0 Milliohms Max.
 SIGNAL CONTACT RESISTANCE: 2.7 Milliohms Max.
 POWER PINS: 40 AMPS
 SIGNAL PINS: 5 AMPS

MECHANICAL:

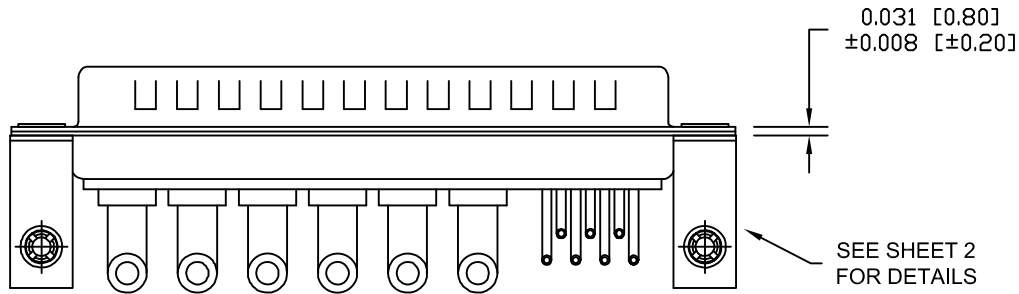
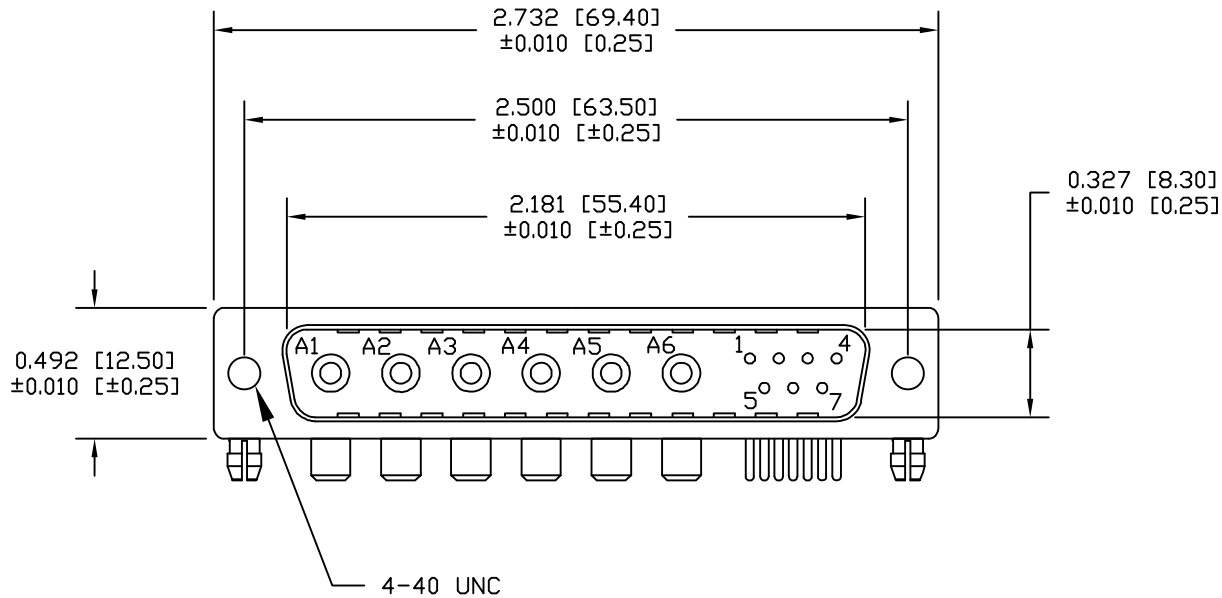
CONTACT INSERTION FORCE: 4.5 Kg Max.
 CONTACT SEPARATOR FORCE: 0.3Kg Min.

MATERIALS:

CONTACTS: COPPER ALLOY
 INSULATOR: PBT THERMOPLASTIC, 30% GLASS FILLED, UL94V-0 RATED, BLACK 230°C PROCESS TEMP.
 SHELL: STEEL
 BOARD LOCK: BRASS, NICKEL PLATED
 CINCHNUT: BRASS, NICKEL PLATED
 BRACKET: STEEL, NICKEL PLATED

FINISH:

SHELL: NICKEL
 CONTACTS: FULL GOLD FLASH



684M13W6103L461

46 = 4-40 INSERTS / BOARD LOCKS

RoHS COMPLIANT

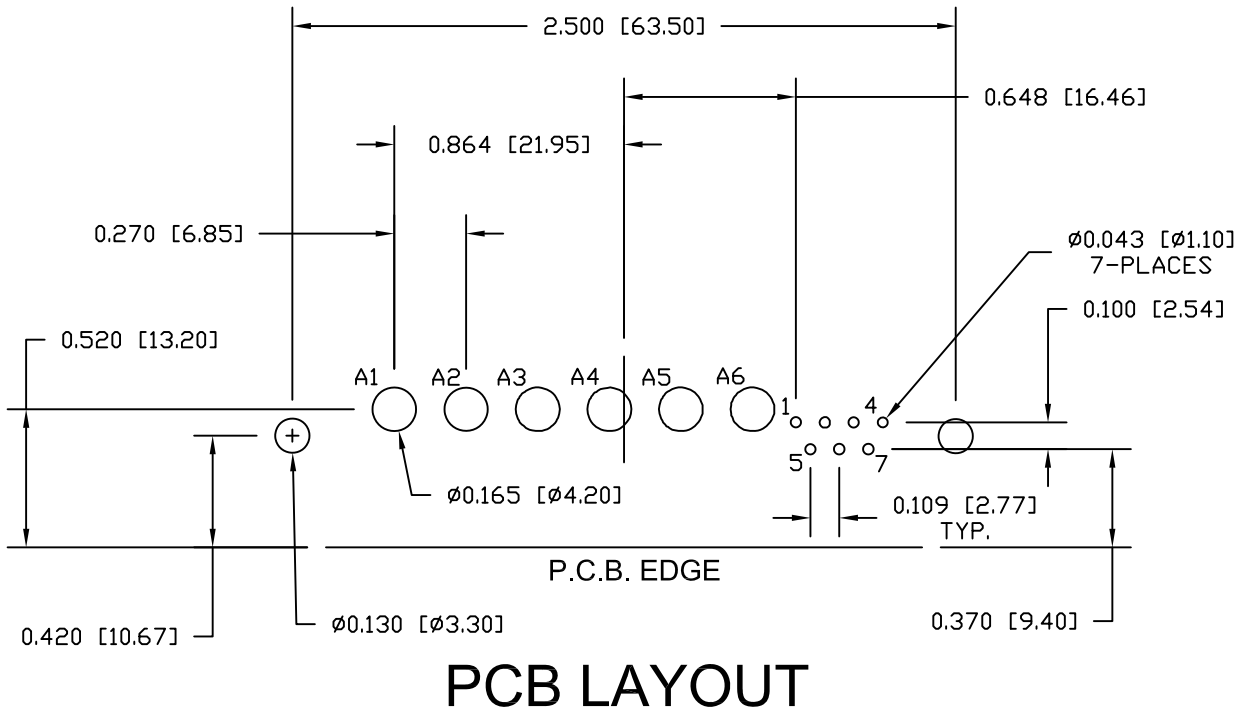
THESE DRAWINGS AND SPECIFICATIONS ARE THE PROPERTY OF NorComp AND SHALL NOT BE REPRODUCED, COPIED OR USED AS THE BASIS FOR THE MANUFACTURE OR SALE OF APPARATUS WITHOUT WRITTEN PERMISSION.

DRAWN: M. SIGMON		DATE: 09-05-12	
SCALE: N.T.S.	SHEET 1	OF 2	REV 4
DWG NO. 684M13W6103L461			

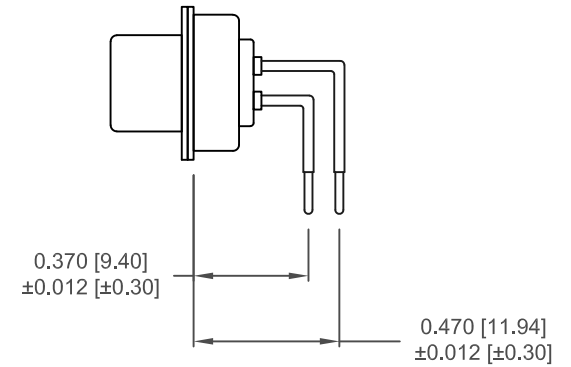
NorComp

DESCRIPTION: 684 SERIES CONTACTS - MACHINED

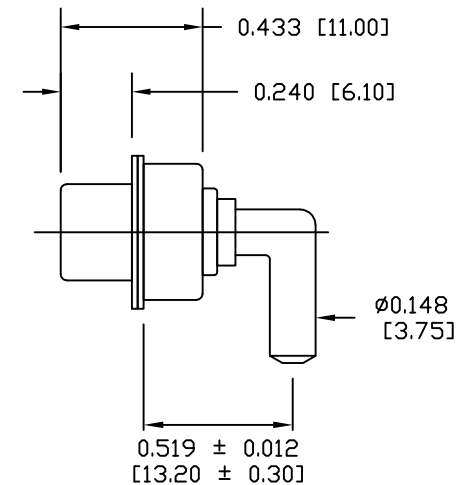
NOTE:
POWER CONTACTS COME
PRE-LOADED INTO INSULATORS



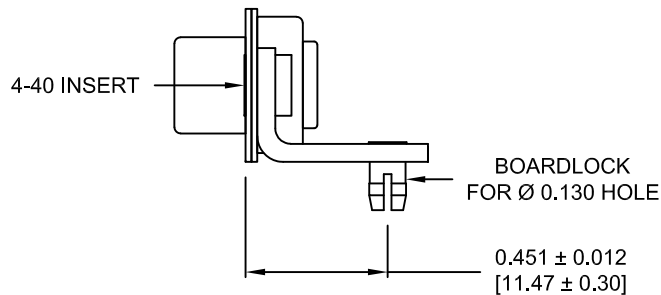
PCB LAYOUT



SIGNAL CONTACTS




40 AMP POWER CONTACT



MOUNTING HARDWARE

RoHS COMPLIANT

	THESE DRAWINGS AND SPECIFICATIONS ARE THE PROPERTY OF NorComp AND SHALL NOT BE REPRODUCED, COPIED OR USED AS THE BASIS FOR THE MANUFACTURE OR SALE OF APPARATUS WITHOUT WRITTEN PERMISSION.		DRAWN: M. SIGMON	DATE: 09-05-12
	<h1>NorComp</h1>		SCALE: N.T.S.	SHEET OF 2 2
			DWG NO. 684M13W6103L461	