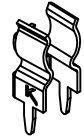
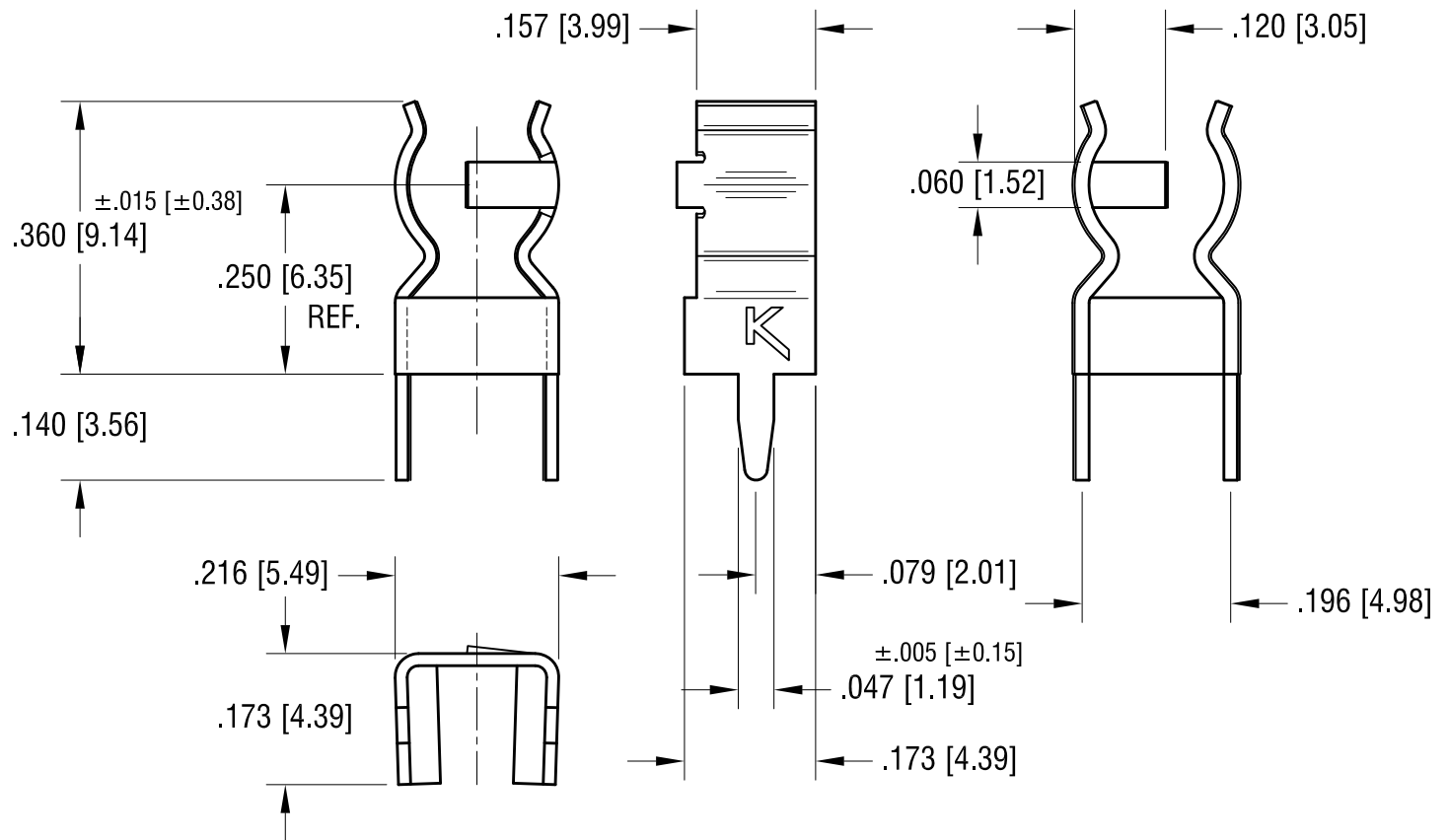
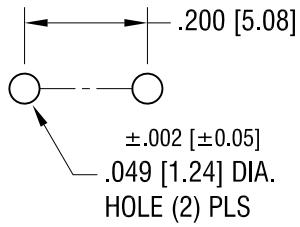


THIS DOCUMENT IS THE PROPERTY OF
KEYSTONE ELECTRONICS CORP. AND
SHALL NOT BE REPRODUCED, DISTRIBUTED
OR USED AS A BASIS FOR MANUFACTURE
WITHOUT PRIOR WRITTEN PERMISSION
FROM KEYSTONE ELECTRONICS CORP.

ACTUAL SIZE



MOUNTING DETAIL



FILE NUMBER: E354010

| | | | | | |
|----------|--------------------------|------|---|--------------------|------------------------|
| | | | KEYSTONE ELECTRONICS CORP. | | |
| | | | www.keyelco.com • NEW HYDE PARK NY 11040 • Tel (516)328-7500 | | |
| 10.06.15 | CHANGE AS PER ECN 15-113 | D | PART NAME 5mm PC FUSE CLIP | | |
| 9.12.12 | CHANGE AS PER ECN 12-141 | C | MATERIAL .016 [0.40] TH'K BRASS | | |
| 6.05.09 | CHANGE AS PER ECN 09-051 | B | FINISH MATTE TIN PLATE | DRN BY BOONE | DATE 3.21.96 |
| 9.02.98 | CHANGE AS PER ECR 98-054 | A | | APP'D MR | SCALE 4X |
| DATE | DESCRIPTION | REV. | TOLERANCES INCH [MM] DECIMAL ±.010 [±0.25] ANGULAR ± 1° UNLESS OTHERWISE SPECIFIED | CODE C | DWG NO. 3519 |