

1. 製品名称／PRODUCT NAME : SPOT-ON 1.5 DUAL RECEPTACLE HOUSING

製品番号／PART NUMBER : 2016442**☆

(**は極数を示し、☆は色を示す。図面参照。)

(** IS CIRCUITS SIZE. ☆ IS COLOR. REFER TO DRAWING.)

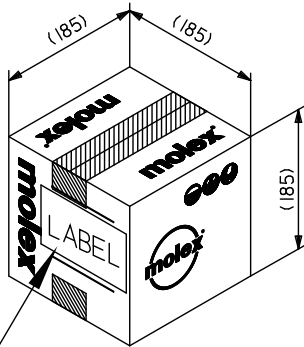
2. 標準梱包数／STANDARD PACKAGING QUANTITY

極 数 CKT. SIZE	ポリ袋 POLY BAG	内装カートン PRIMARY CARTON		外装カートン SHIPPING CARTON
	1袋中の製品数 QUANTITY IN ONE BAG	ポリ袋の数 NUMBER OF POLY BAG	製品数 QUANTITY	製品数(内装カートン×4) QUANTITY (PRIMARY CARTON X4)
10	200	7	1,400	5,600
12	200	7	1,400	5,600
14	100	8	800	3,200
16	100	8	800	3,200
18	100	8	800	3,200
20	100	7	700	2,800
22	100	7	700	2,800
24	100	7	700	2,800
26	100	6	600	2,400
28	100	6	600	2,400
30	100	6	600	2,400
32	100	5	500	2,000
34	100	5	500	2,000
36	100	5	500	2,000
38	100	5	500	2,000
40	100	5	500	2,000

REV.	B		
SHEET	1~2		
REVISE ON PC ONLY		TITLE:	
B	REVISED 119032 2017/08/10 Y.TOKUZONO	201644 梱包仕様書 SALES PACKAGING SPEC. FOR 201644	
	THIS DOCUMENT CONTAINS INFORMATION THAT IS PROPRIETARY TO MOLEX ELECTRONIC TECHNOLOGIES, LLC AND SHOULD NOT BE USED WITHOUT WRITTEN PERMISSION		
REV.	DESCRIPTION		
DESIGN CONTROL J	STATUS	WRITTEN BY: YTOKUZONO	CHECKED BY: K.TAKAHASHI
		APPROVED BY: M.SASAO	DATE: 2017/02/03

DOCUMENT NUMBER 2016449200	DOC. TYPE PS	DOC. PART 200	CUSTOMER GENERAL	SHEET 1 OF 2
-------------------------------	-----------------	------------------	---------------------	-----------------

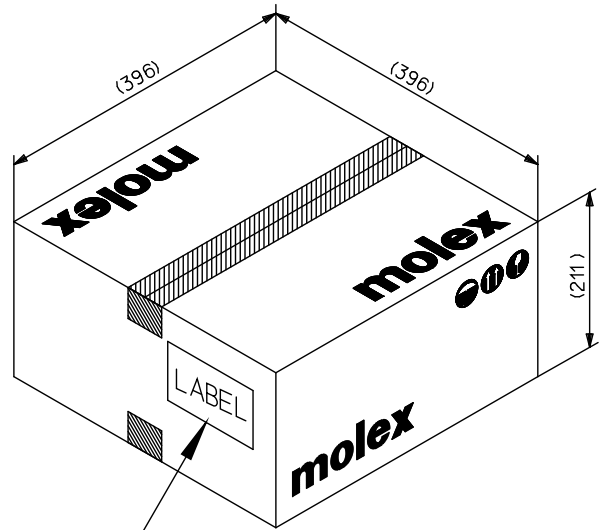
3. カートン外形参考寸法 / CARTON OUTER DIMENSIONS (REFERENCE PURPOSE ONLY) 単位 / UNIT: mm



カートンラベル
CARTON LABEL

(製品型番, 数量, ロットNO. 表示)
INDICATION OF PART No., QUANTITY, LOT No.

内装カートン
PRIMARY CARTON



カートンラベル
CARTON LABEL

(製品型番, 数量, ロットNO. 表示)
INDICATION OF PART No., QUANTITY, LOT No.

外装カートン
SHIPPING CARTON

REVISE ON PC ONLY		TITLE:		
B	SEE SHEET 1 OF 2	201644 梱包仕様書 SALES PACKAGING SPEC. FOR 201644		
REV.	DESCRIPTION	THIS DOCUMENT CONTAINS INFORMATION THAT IS PROPRIETARY TO MOLEX ELECTRONIC TECHNOLOGIES, LLC AND SHOULD NOT BE USED WITHOUT WRITTEN PERMISSION		
DOCUMENT NUMBER 2016449200		DOC. TYPE PS	DOC. PART 200	CUSTOMER GENERAL
				SHEET 2 OF 2