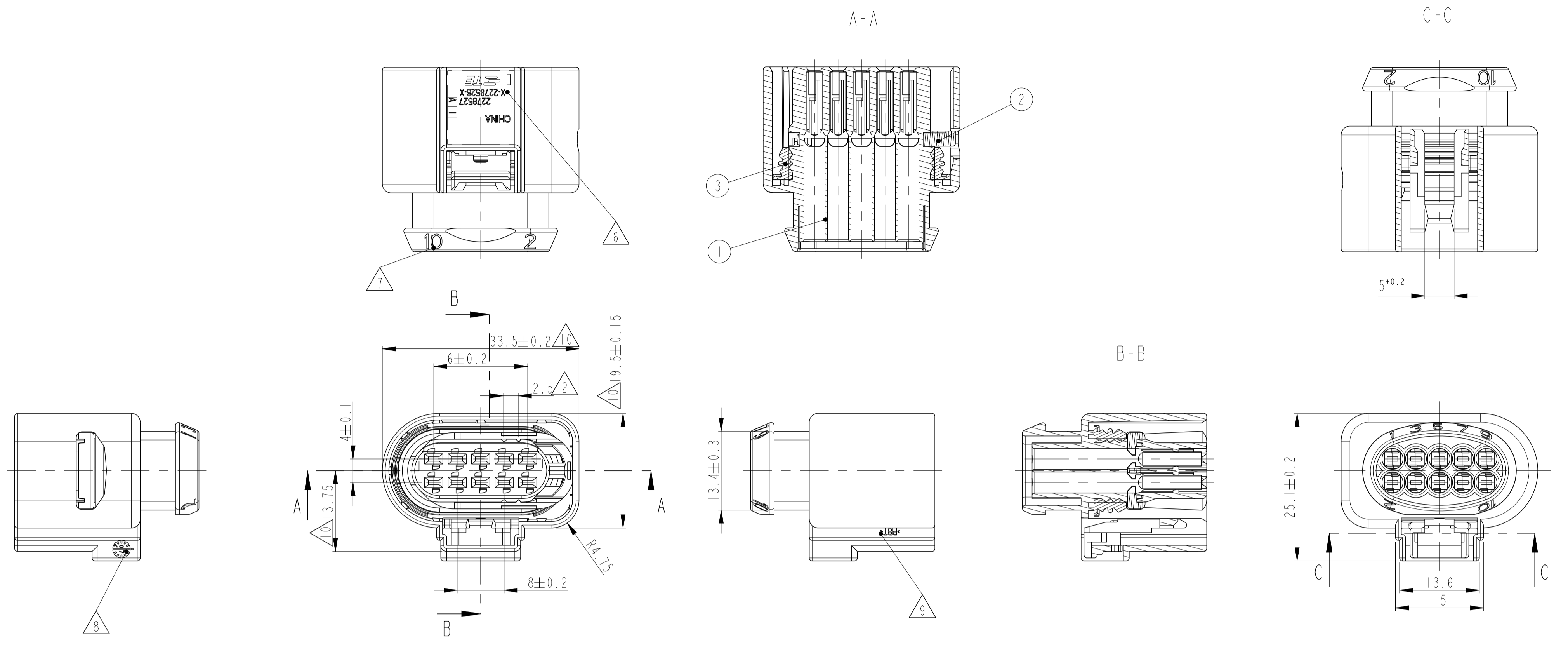
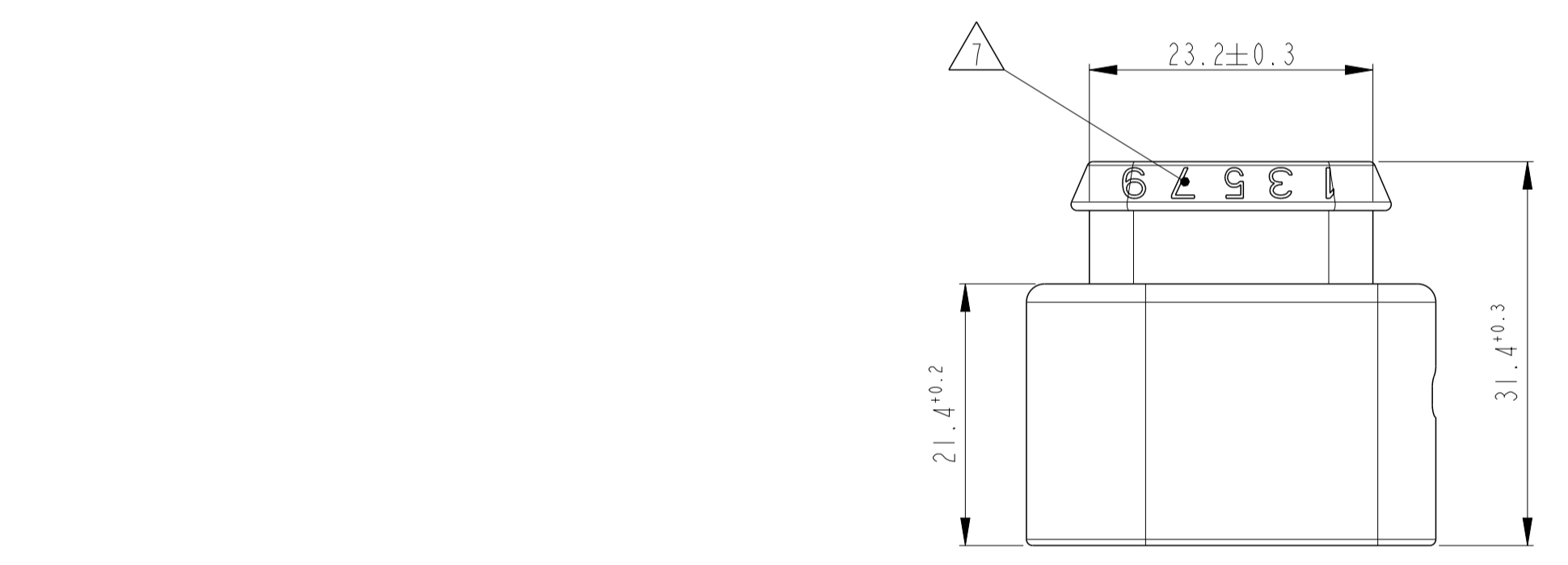


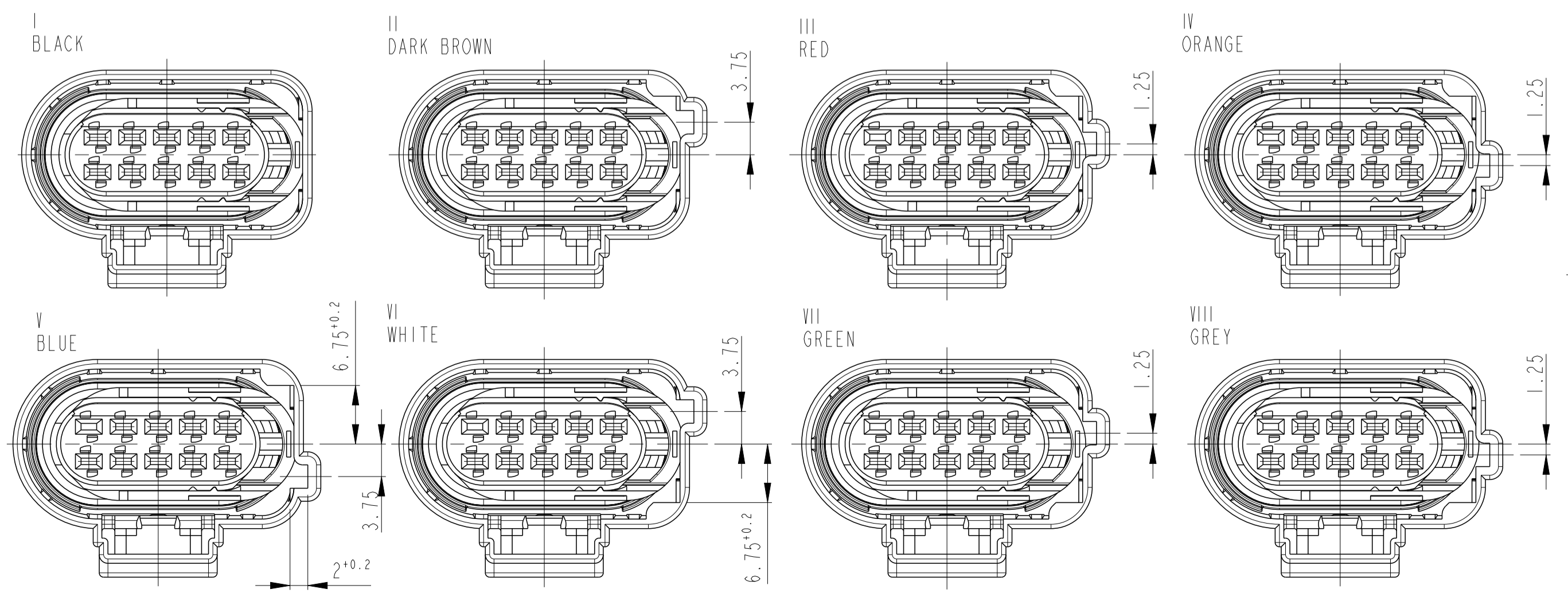
REVISIONS				
P.	LTN	DESCRIPTION	DATE	DWN APVD
A		NEW DRAWING	07JUL2014	T.W S.W
A3		ECR-22-161786	20DEC 22	S.X J.Z



- NOTES
- 1 SUITABLE MATING PARTS ACCORDING TO 114-18130-1
  - 2 CONDITION AS SUPPLIED: RETAINER IN PRE-LOCKED POSITION, AFTER CONTACT LOADING TO DRIFT IN THIS DIRECTION (2.5mm)
  - 3 BULK PACKAGED
  - 4 WITHOUT CPA (CONNECTOR POSITION ASSURANCE)
  - 5 WITH CPA
  - 6 PART NO., SEE TABLE
  - 7 CONTACT CAVITY NUMBER
  - 8 PRODUCTION-DATE
  - 9 MATERIAL MARKING
  - 10 ALLOWED WARPAGE  $\pm 0.5$
  - A3 11 \*-2278526-\* IS SUZHOU VERSION PN THAT IS THE SIMILAR PERFORMANCE OF \*-1563498-\*



CODINGS



REV	PART NO.	REV	MATERIAL	COLOR	RAL-NO	DESCRIPTION	ITEM NO
VIII	6-2278526-8	A	PBT-GF10	RED	3003	CPA	4
			MVO	NATURAL	-	RADIAL SEAL	3
			PBT-GF10	VIOLET	4006	RETAINER	2
VII	6-2278526-7	A	PBT	GREY	7036	IOPOSITION, AMP MCP1.5K	1
			PBT-GF10	RED	3003	CPA	4
			MVO	NATURAL	-	RADIAL SEAL	3
VI	6-2278526-6	A	PBT-GF10	VIOLET	4006	RETAINER	2
			PBT	GREEN	6018	IOPOSITION, AMP MCP1.5K	1
			PBT-GF10	RED	3003	CPA	4
V	6-2278526-5	A	MVO	NATURAL	-	RADIAL SEAL	3
			PBT-GF10	VIOLET	4006	RETAINER	2
			PBT	WHITE	9010	IOPOSITION, AMP MCP1.5K	1
IV	6-2278526-4	A	PBT-GF10	RED	3003	CPA	4
			MVO	NATURAL	-	RADIAL SEAL	3
			PBT-GF10	VIOLET	4006	RETAINER	2
III	6-2278526-3	A	PBT-GF10	RED	3003	CPA	4
			MVO	NATURAL	-	RADIAL SEAL	3
			PBT-GF10	VIOLET	4006	RETAINER	2
II	6-2278526-2	A	PBT-GF10	RED	3003	IOPOSITION, AMP MCP1.5K	1
			PBT-GF10	RED	3003	CPA	4
			MVO	NATURAL	-	RADIAL SEAL	3
I	6-2278526-1	A	PBT-GF10	VIOLET	4006	RETAINER	2
			PBT	BLACK	9011	IOPOSITION, AMP MCP1.5K	1
			MVO	NATURAL	-	RADIAL SEAL	3
VIII	2278526-8	A	PBT-GF10	VIOLET	4006	RETAINER	2
			PBT	GREY	7036	IOPOSITION, AMP MCP1.5K	1
			MVO	NATURAL	-	RADIAL SEAL	3
VII	2278526-7	A	PBT-GF10	VIOLET	4006	RETAINER	2
			PBT	NATURAL	-	RADIAL SEAL	3
			PBT-GF10	VIOLET	4006	RETAINER	2
VI	2278526-6	A	PBT-GF10	VIOLET	4006	RETAINER	2
			PBT	WHITE	9010	IOPOSITION, AMP MCP1.5K	1
			MVO	NATURAL	-	RADIAL SEAL	3
V	2278526-5	A	PBT-GF10	VIOLET	4006	RETAINER	2
			PBT	BLUE	5012	IOPOSITION, AMP MCP1.5K	1
			MVO	NATURAL	-	RADIAL SEAL	3
IV	2278526-4	A	PBT-GF10	VIOLET	4006	RETAINER	2
			PBT	ORANGE	2003	IOPOSITION, AMP MCP1.5K	1
			MVO	NATURAL	-	RADIAL SEAL	3
III	2278526-3	A	PBT-GF10	VIOLET	4006	RETAINER	2
			PBT	RED	3003	IOPOSITION, AMP MCP1.5K	1
			MVO	NATURAL	-	RADIAL SEAL	3
II	2278526-2	A	PBT-GF10	VIOLET	4006	RETAINER	2
			PBT	DARK BROWN	8012	IOPOSITION, AMP MCP1.5K	1
			MVO	NATURAL	-	RADIAL SEAL	3
I	2278526-1	A	PBT-GF10	VIOLET	4006	RETAINER	2
			PBT	BLACK	9011	IOPOSITION, AMP MCP1.5K	1
			MVO	NATURAL	-	RADIAL SEAL	3

THIS DRAWING IS A CONTROLLED DOCUMENT.

DIMENSIONS: mm

TOLERANCES UNLESS OTHERWISE SPECIFIED:

PLC ±0.10  
 2 PLC ±0.15  
 3 PLC ±0.20  
 ANGLES ±0.5°

MATERIAL: S.TAB.

FINISH: S.TAB.

WEIGHT: -

CUSTOMER DRAWING

DWN: T. WANG 07JUL2014  
 CHK: H. YE 07JUL2014  
 APVD: S. WANG 11JUL2014

NAME: IOPOSITION, AMP MCP1.5K, RECEPTACLE HOUSING, ASSEMBLY

SIZE: A1 CAGE CODE: 00779 DRAWING NO: 2278526 RESTRICTED TO: -

SCALE: 3:1 SHEET: 1 OF 1 REV: A3