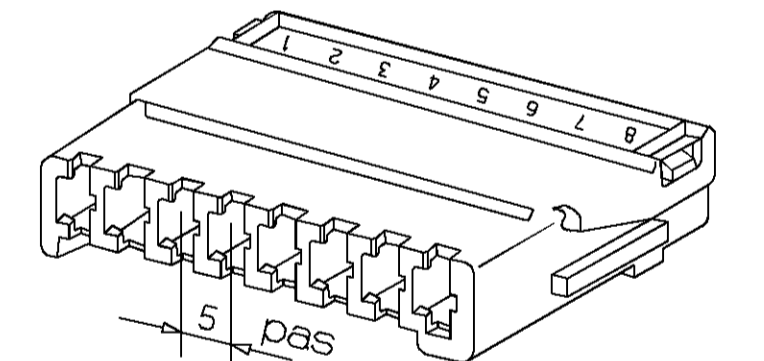
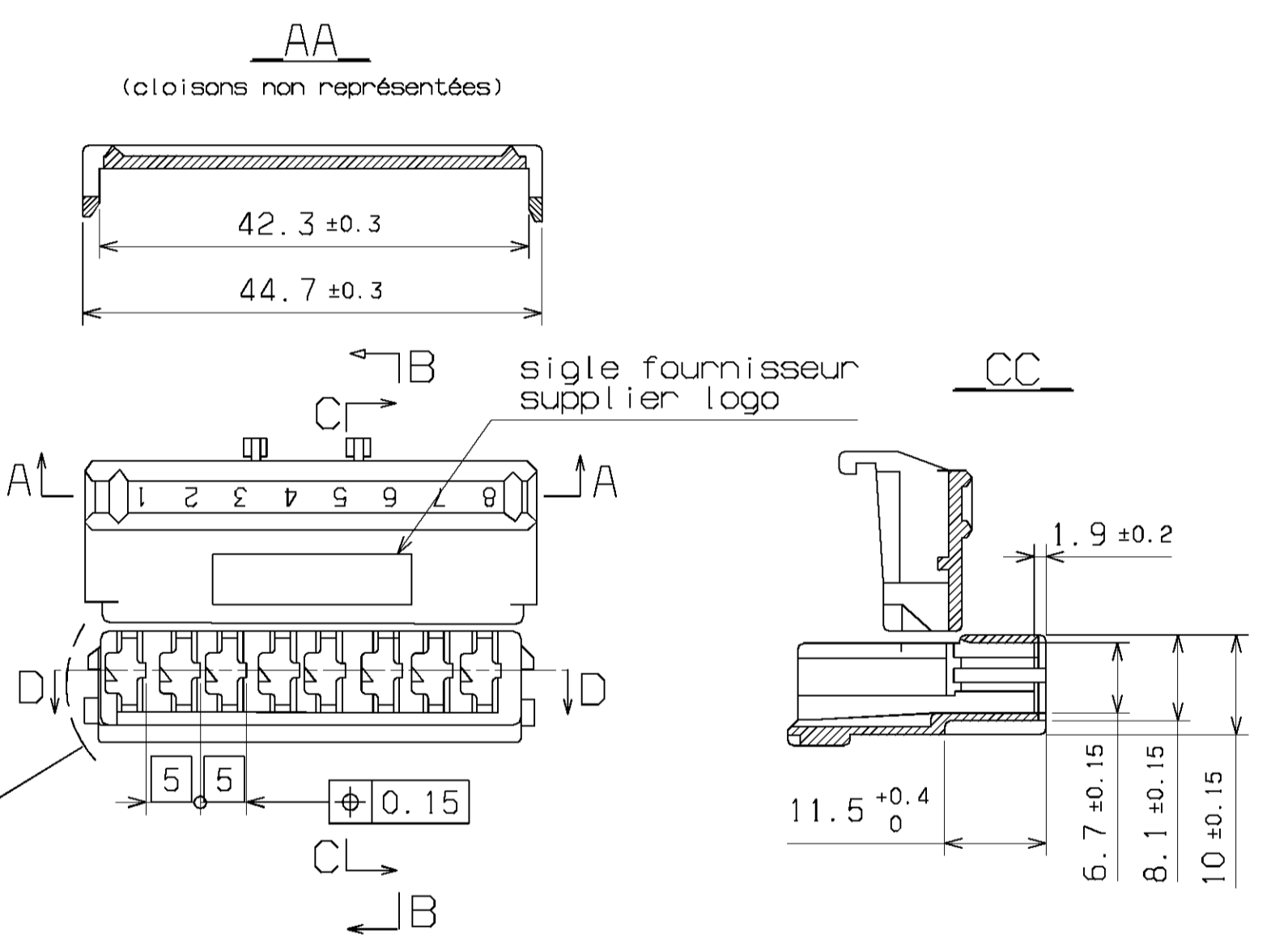
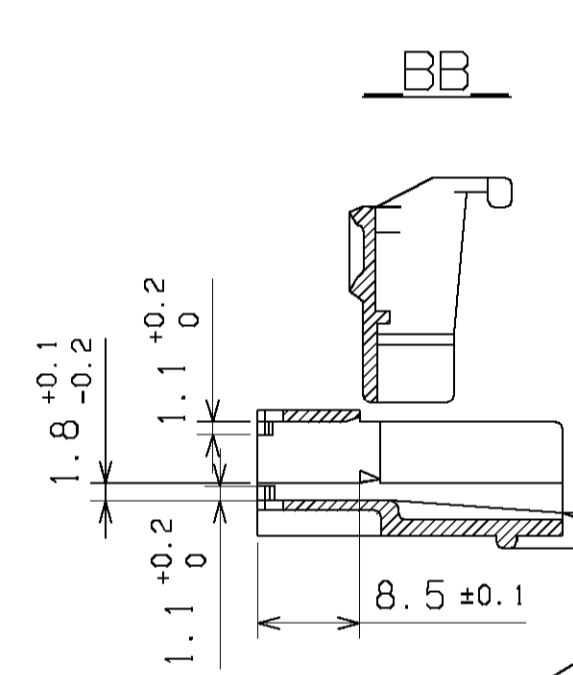
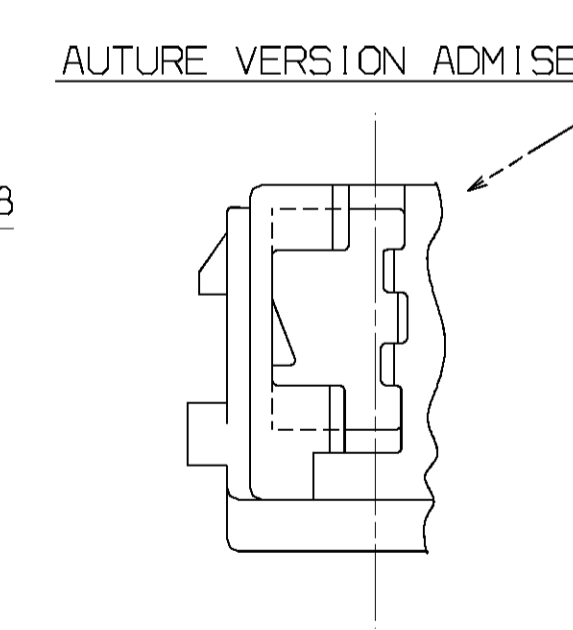
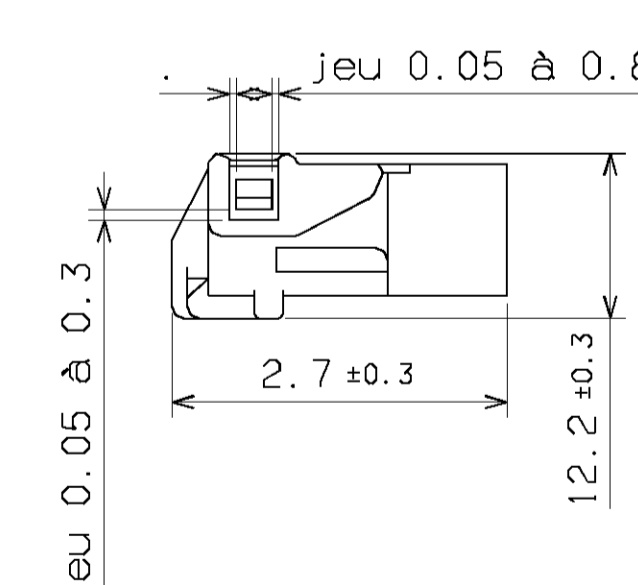
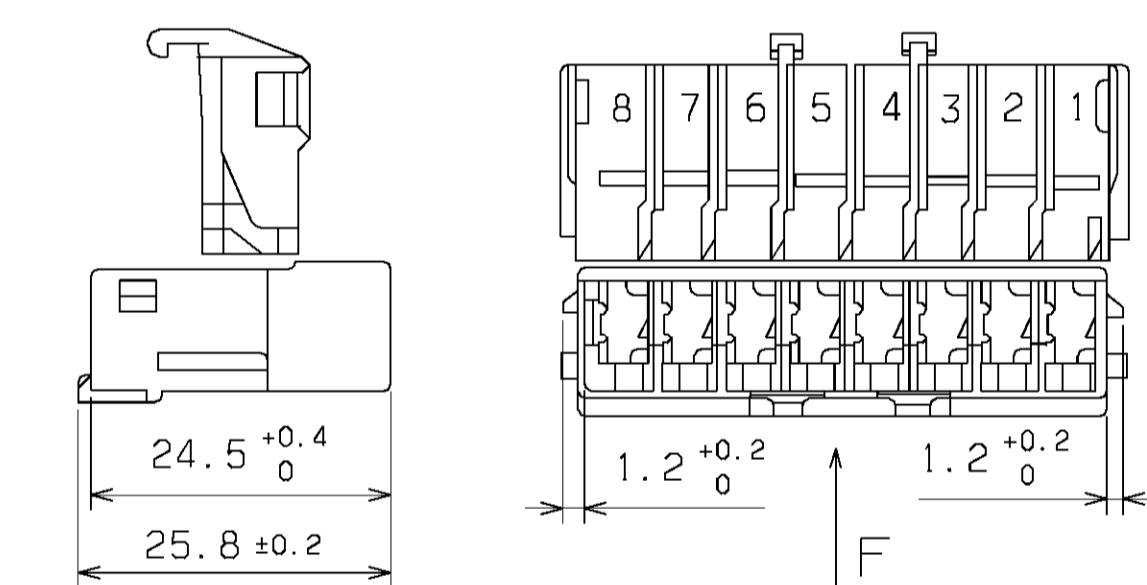


Référence	Couleur	Matériau/Material
0989361080	Blanc	PA 6.6
0989361081	Noir	PA 6.6
0989361089	Marron	PA 6.6
0989361083	Orange	PA 6.6
0989361084	Jaune	PA 6.6
0989361085	Vert	PA 6.6



NOTA: COTES A CONTROLER SUR PIECES EN ETAT STABILISE
A 2.5% ±0.5% DE TENEUR EN EAU
CONNEXIONS A EMPLOYER:

CAPACITE DES ALVEOLES		
SERTISSAGE	CONDUCTEUR section en mm ²	ISOLANT Øext. en mm
sur fil unitaire	3 ² maxi	4 maxi
SUR FILS JUMELÉS	juxtaposés	1 ² + 1.4 ²
	superposés	0.6 ² + 2 ²

- 0988901014 } 0.35 à 1mm²
- 0988951014 } (isolant réduit)
- 0988952014 }
- 0988901011 } 0.35 à 1mm²
- 0988903011 }
- 0988951011 }
- 0988952011 }
- 0988901012 } 1 à 3mm²
- 0988903012 }
- 0988951012 }
- 0988952012 }

ENTER DESCRIPTION	DESCRIPTION
EC NO: G2006-0100	
DRWN: PBOUQUIN 2005/10/05	
CHK: KO: JDUCLLOS 2005/10/05	
APPR: LSTICKEIR 2005/10/05	
REV M1	

GENERAL TOLERANCES (UNLESS SPECIFIED)	
mm	INCH
4 PLACES ±	±
3 PLACES ±	±
2 PLACES ±	±
1 PLACE ±	±
ANGULAR ± °	

DIMENSION STYLE MM ONLY	
DRAWN BY	DATE
HE	81/06/23
CHECKED BY	DATE
JLD	05/09/23
APPROVED BY	DATE
LST	05/09/23

SCALE	DESIGN UNITS	FIRST ANGLE PROJECTION
2:1	METRIC	
TITLE		
CSP5 RCPT HSG W/ CAP PA6/6 8CKT		
MATERIAL NO.		SHEET NO.
SEE CHART		1 OF 1
DOCUMENT NO.		
SD-98936-007		
THIS DRAWING CONTAINS INFORMATION THAT IS PROPRIETARY TO MOLEX INCORPORATED AND SHOULD NOT BE USED WITHOUT WRITTEN PERMISSION		

FROM DRAWING P/N 448-22-1 IND. M 96/05/02
M1 Change part numbers, supplier logo and drawing frame 05/09/23
Modif.