

5

4

3

2

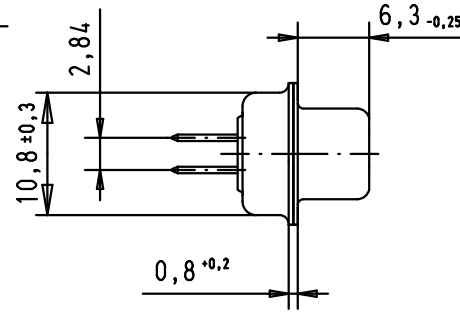
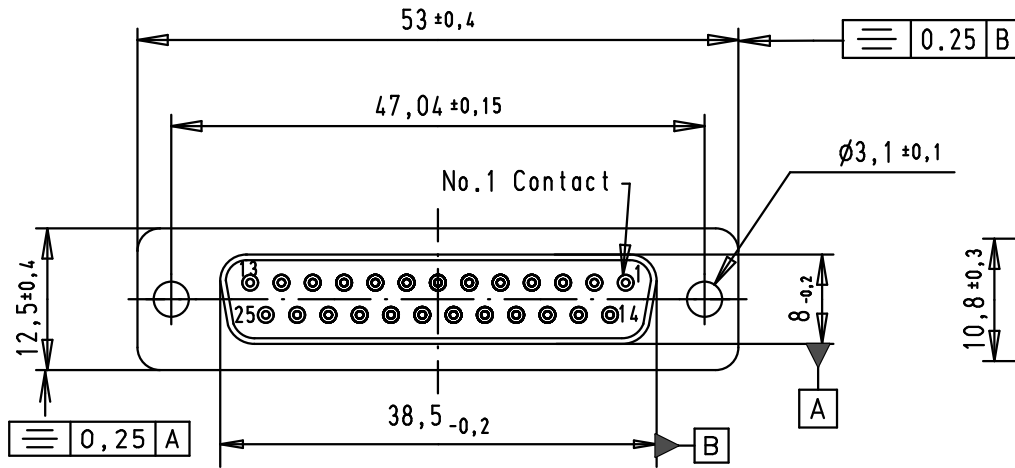
1

D

C

B

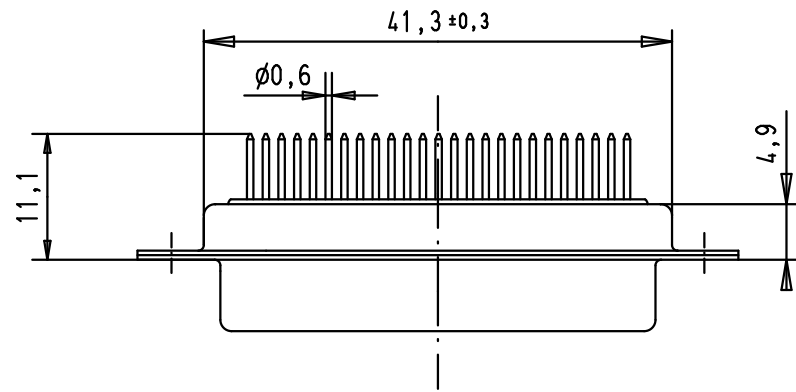
A



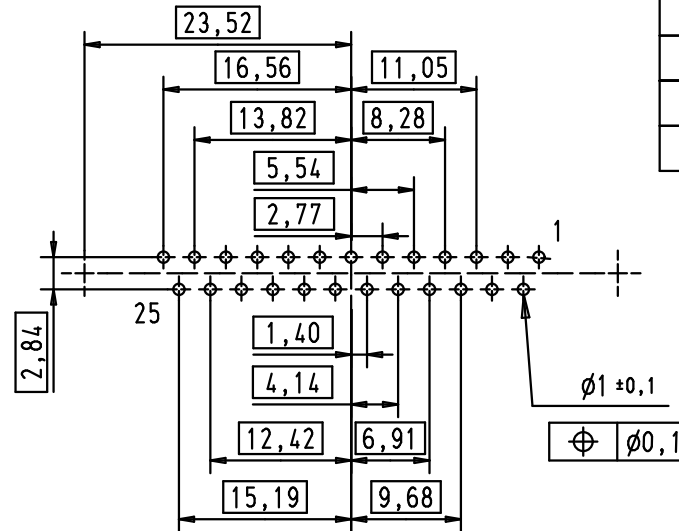
SPECIFICATION

Performance level	PL2
Filter type	C
Capacitance	3900pf ± 20%
Working Voltage	100v
Current Rating	7.5A
Insulation Resistance	>1GΩ

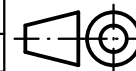
FREQUENCY (MHz)	ATTENUATION (dB)
5	6dB
10	11dB
50	25dB
100	35dB
500	35dB
1000	32dB



PCB Layout Component side



Mod.	Dot.	Name	Dot.	Name
			Detail.	8-JUL-02 CV
			Insp.	09/12/11 JB
			Stand.	
36283	09/12/11	SD		
33274	30/11/05	JMDR		
31058	8-JUL-02	CV		
HARTING EURL F-95972 Paris				



All Dim. in mm
Orig. Size DIN A 4

D-Sub, female, straight,
25 Poles, turned solder pins
fixing holes

Mo?Mstab/
Scale

1.5:1

TB 09643127240

Blatt/ Page

1 / 1

Sub.