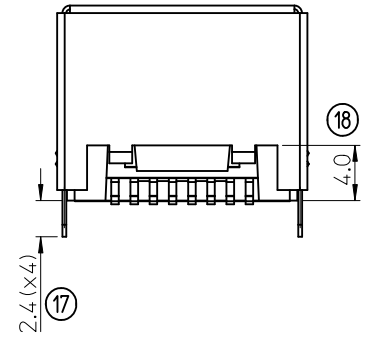
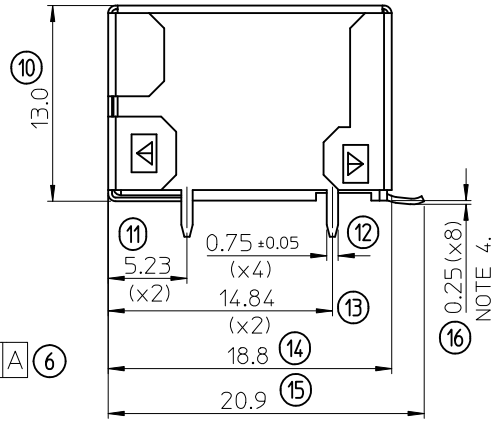
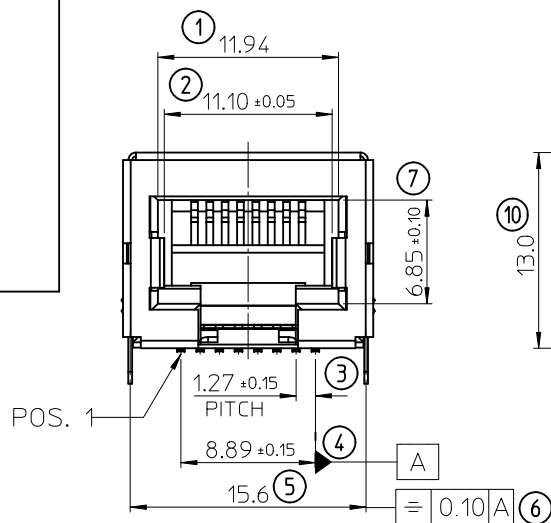
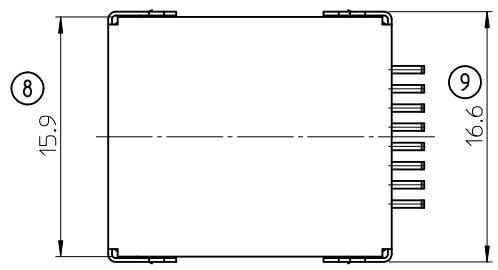


MATERIAL #
93242-1001



NOTES:

- JACK FOR MATING WITH SHIELDED PLUG (MOLEX 95043 AND 85568 SERIES)
- PRODUCT SPECIFICATION: PS-95622-001
- PACKAGING SPECIFICATION: TAPE AND REEL.
- COPLANARITY OF SIGNAL LEADS 0.10MAX
- RECOMMENDED P.C.B. THICKNESS: 1.6

MATERIAL:
HOUSING: LCP GLASS FILLED UL 94V-0
COLOUR BLACK.
TERMINAL: COPPER ALLOY PLATED WITH:
BASE FINISH: NICKEL
CONTACT SURFACE FINISH:
GOLD,
OR
GOLD FLASH OVER PALLADIUM NICKEL.
EXCEEDS PRODUCT REQUIREMENTS BASED ON PS-95622-001
SHIELD: COPPER ALLOY PLATED WITH TIN

LAST INSPECTION NUMBER: 18

| | | | | | | | | | |
|---------------------------------------------------------------------------------------------------------------------------|-----------------|---------------------------------------|------------------------------------------------------------|----------------------------|----------------------------------------------------------------------------------------------------------------------------------|---------------------------------------------------------------------------|------------------------|------------------------------|---------------------|
| REMOVED PART OPTION EC NO: IPG2012-0703 DRW:DBYRNES 2012/04/03 CHKD:MSHAHAN 2012/04/17 APPR:EFOLAN 2012/06/26 | QUALITY SYMBOLS | GENERAL TOLERANCES (UNLESS SPECIFIED) | | DIMENSION STYLE MM ONLY | | SCALE 3:1 | DESIGN UNITS METRIC | THIRD ANGLE PROJECTION | |
| | ▽=0 ∇=0 | mm | INCH | DRAWN BY D.BYRNES | DATE 2009/09/17 | TITLE FULLY SHIELDED R/A SMT MODULAR JACK 8 CKTS T/HOLE PEGS X 4 | | | |
| | | 4 PLACES ± --- ± --- | 3 PLACES ± --- ± --- | CHECKED BY JDWALLACE | DATE 2009/09/21 | MOLEX INCORPORATED | | | |
| | | 2 PLACES ± 0.25 ± --- | 1 PLACE ± 0.35 ± --- | APPROVED BY EFOLAN | DATE 2010/04/30 | MATERIAL NO. SEE CHART | | DOCUMENT NO. SD-93242-001 | SHEET NO. 1 OF 1 |
| | ANGULAR ± 2 ° | | DRAFT WHERE APPLICABLE MUST REMAIN WITHIN DIMENSIONS | | THIS DRAWING CONTAINS INFORMATION THAT IS PROPRIETARY TO MOLEX INCORPORATED AND SHOULD NOT BE USED WITHOUT WRITTEN PERMISSION | | | | |