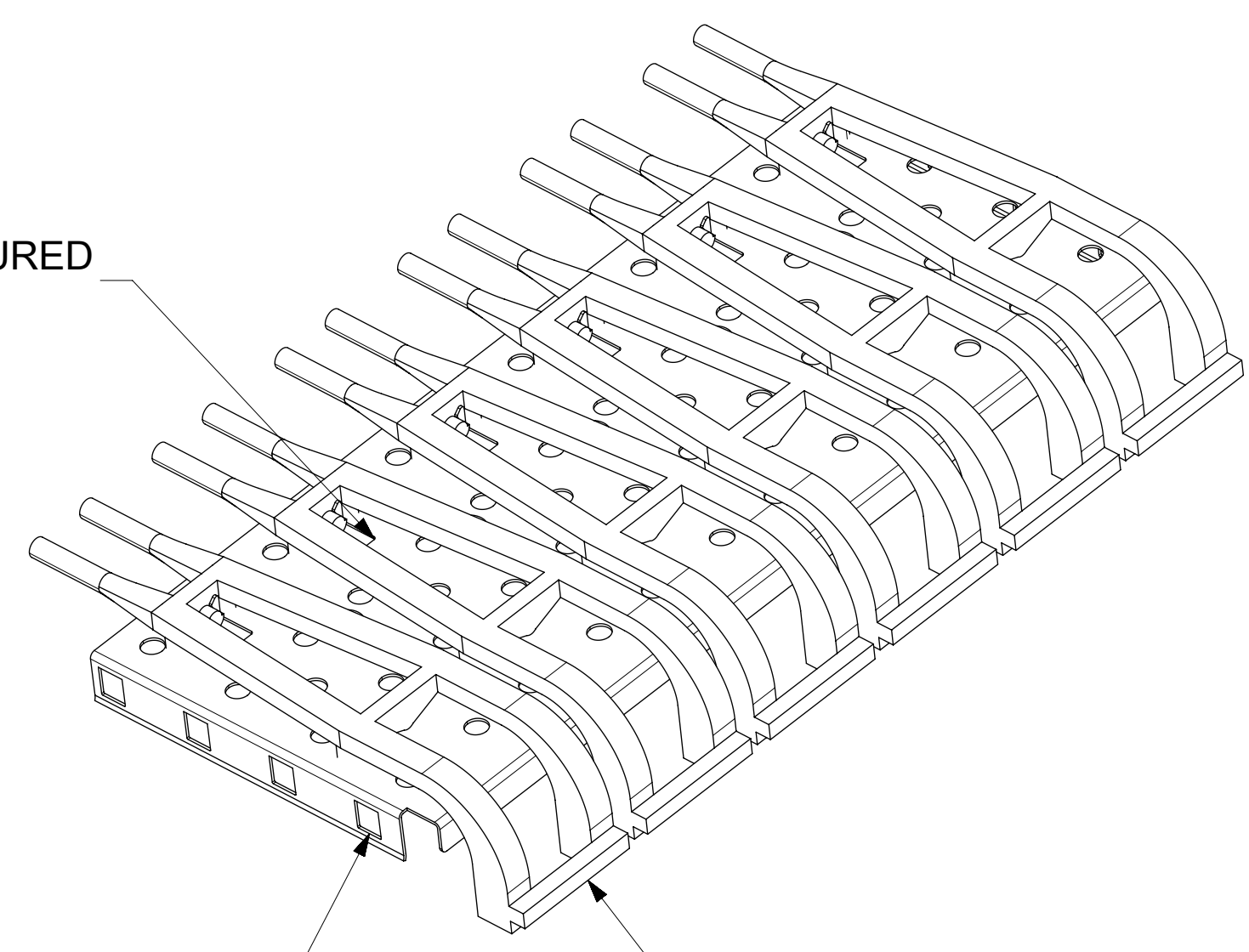
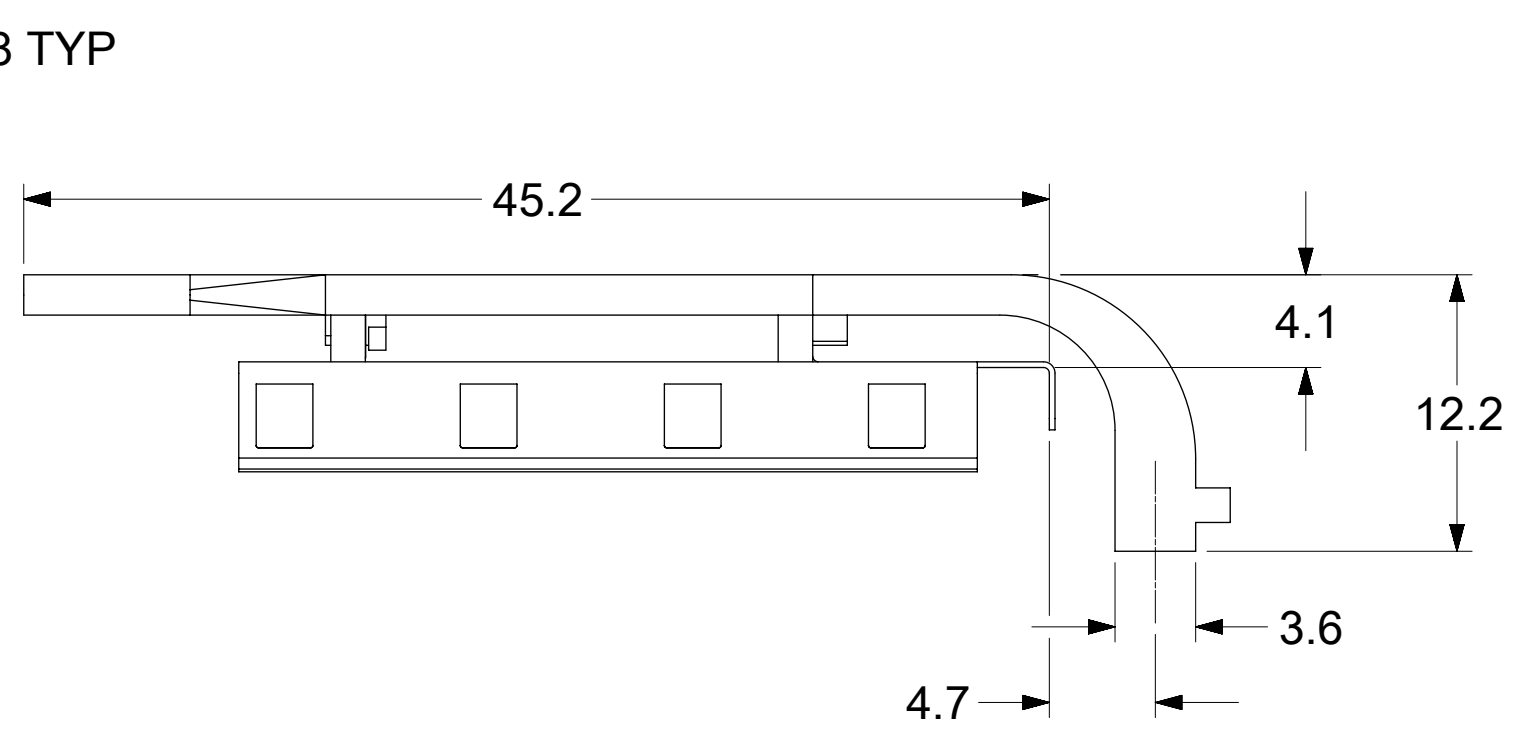
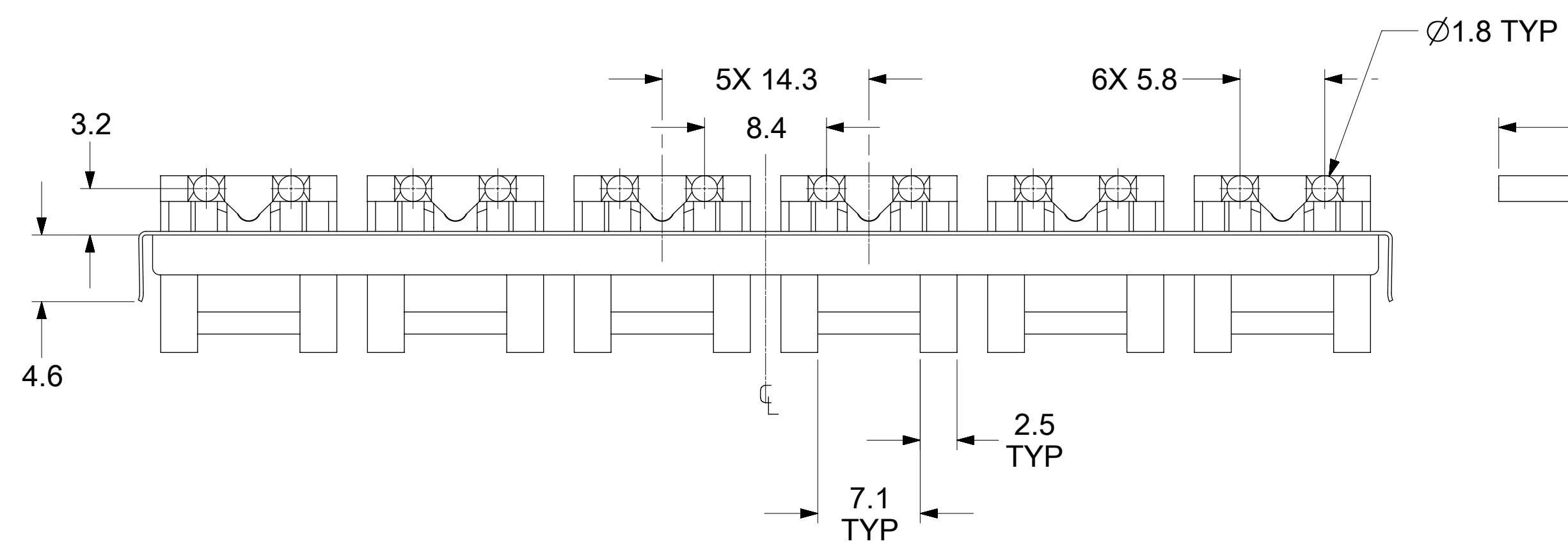


LIGHT PIPES SECURED TO METAL COVER

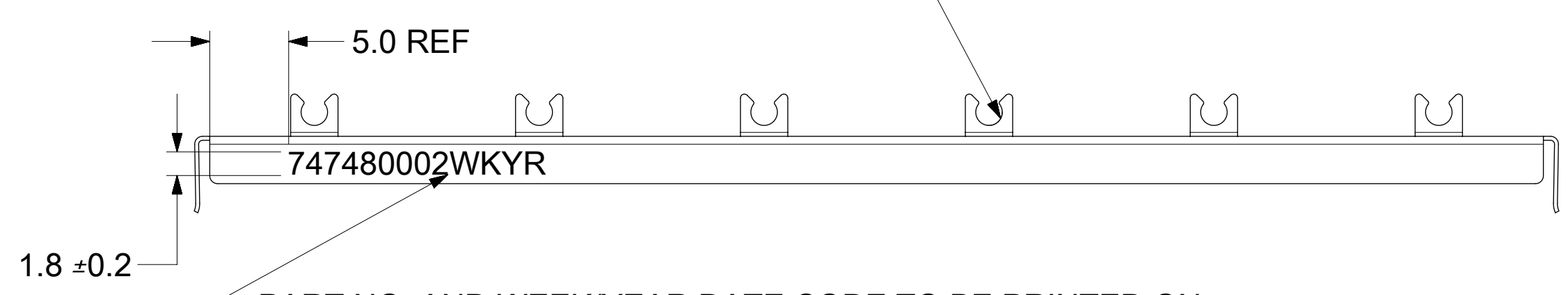


COVER DESIGNED TO SNAP ON THE SFP CAGE ASSEMBLY

LIGHT PIPES MOLDED WITH V0 RATED MATERIAL



LIGHT PIPE NOT SHOWN FOR CLARIFY



PART NO. AND WEEK/YEAR DATE CODE TO BE PRINTED ON BACK OF COVER APPROXIMATELY AS SHOWN. SEE TABLE BELOW FOR DATE CODE INFORMATION.

WEEK/YEAR DATE CODE TABLE	
WK	WEEK OF THE YEAR 01 THRU 52 (EXAMPLE: 01= FIRST WEEK OF YEAR 52= LAST WEEK OF YEAR)
YR	19, 20, 21 ETC.. (EXAMPLE: YEAR 2019= 19)

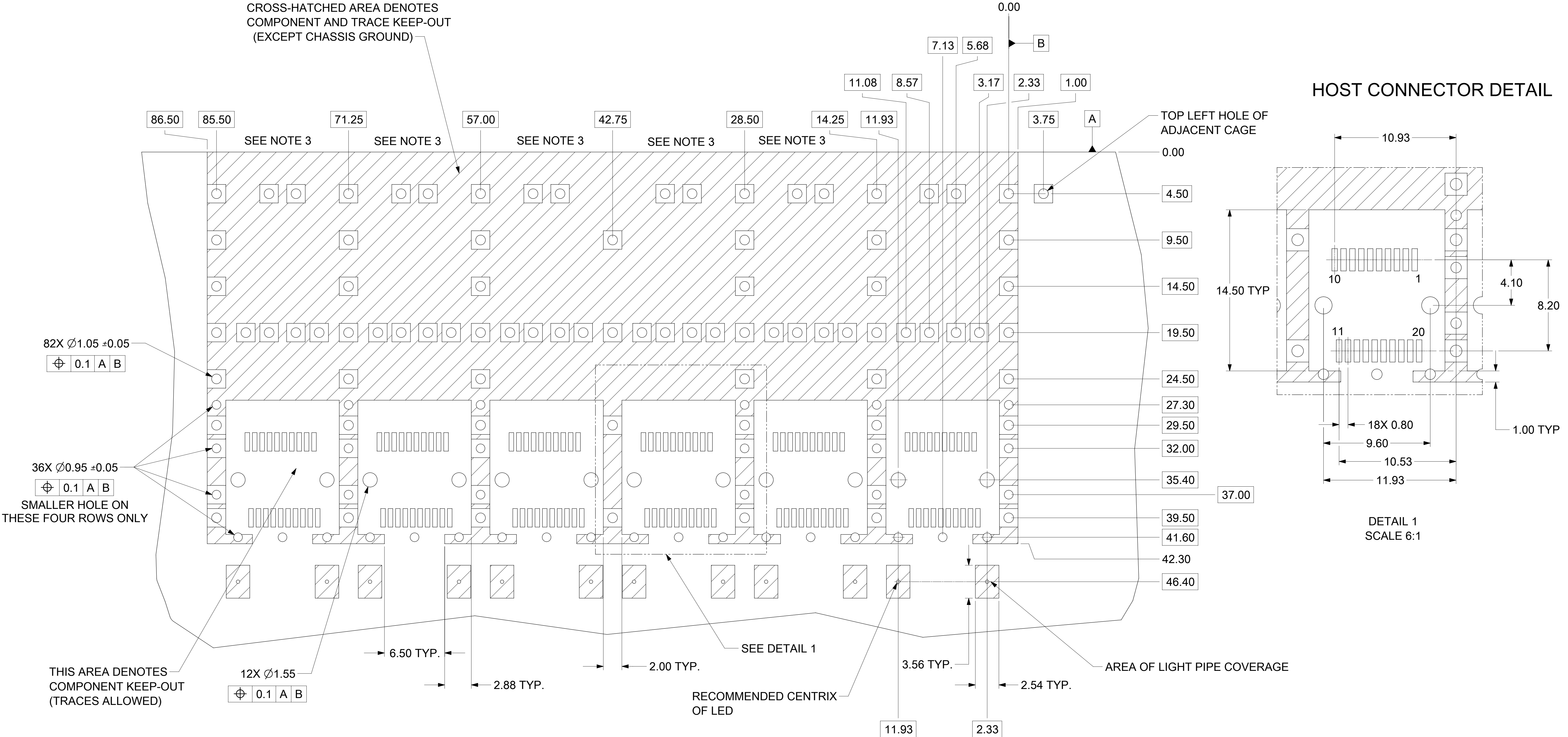
- NOTES:
- THIS LIGHT PIPE ASSEMBLY TO BE USED WITH THE FOLLOWING 1X6 SFP CAGE ASSEMBLIES:
747470001 - 1X6 SFP CAGE ASSEMBLY, W/ PRESS FIT PINS, W/ 2.286mm GASKET (REFER TO DOCUMENT SD-74747-001)
747470003 - 1X6 SFP CAGE ASSEMBLY, W/ SPRING FINGER GASKET. (REFER TO DOCUMENT SD-74747-003)
 - IT IS RECOMMENDED THAT THE CAGE ASSEMBLY BE PRESSED INTO THE PCB PRIOR TO ASSEMBLING THE LIGHT PIPE ASSEMBLY.
 - LED'S TO HAVE A MAXIMUM HEIGHT OF 1.4mm AND A MINIMUM HEIGHT OF 0.7mm.
 - RECOMMENDED LED'S INCLUDE THE FOLLOWING MANUFACTURES:
DIALIGHT: 597-77x1-5xx SERIES
CHICAGO MINIATURE: 7016 SERIES
KINGBRIGHT: APBL3025 SERIES (BICOLOR)
APL3015 SERIES (SINGLE COLOR)
 - THIS PART MEETS THE RESTRICTION OF HAZARDOUS SUBSTANCES IN ELECTRICAL AND ELECTRONIC EQUIPMENT (ROHS) DIRECTIVE (2002/95/EC).

SYMBOLS	THIS DRAWING CONTAINS INFORMATION THAT IS PROPRIETARY TO MOLEX ELECTRONIC TECHNOLOGIES, LLC AND SHOULD NOT BE USED WITHOUT WRITTEN PERMISSION		CURRENT REV DESC: SEE REVISION TABLE						
	DIMENSION UNITS	SCALE							1X6 SFP LIGHT PIPE ASSEMBLY, BACK-TOP, LOW PROFILE
▽ = 0	mm	3:1	EC NO: 610385		PRODUCT CUSTOMER DRAWING				
▽ = 0	GENERAL TOLERANCES (UNLESS SPECIFIED)		DRWN: PMAHADEVAPPA 2018/12/14		DOCUMENT NUMBER				
▽ = 0	ANGULAR TOL ± 1.0°		CHK'D: VK10 2019/01/14		747480002				
▽ = 0	4 PLACES ±		APPR: RCHEN08 2019/01/15		DOC TYPE		DOC PART		REVISION
▽ = 0	3 PLACES ±		INITIAL REVISION:		PSD		ASY		D
▽ = 0	2 PLACES ± 0.13		DRWN: PMAHADEVAPPA 2018/12/14		MATERIAL NUMBER		CUSTOMER		SHEET NUMBER
▽ = 0	1 PLACE ± 0.25		APPR: RCHEN08 2019/01/15		747480002				1 OF 5
▽ = 0	0 PLACES ±		DRAFT WHERE APPLICABLE MUST REMAIN WITHIN DIMENSIONS		D-SIZE		74748		
▽ = 0	THIRD ANGLE PROJECTION		DRAWING		SERIES				
▽ = 0									

PCB LAYOUT FOR BELLY TO BELLY MOUNTING

CROSS-HATCHED AREA DENOTES
COMPONENT AND TRACE KEEP-OUT
(EXCEPT CHASSIS GROUND)

HOST CONNECTOR DETAIL

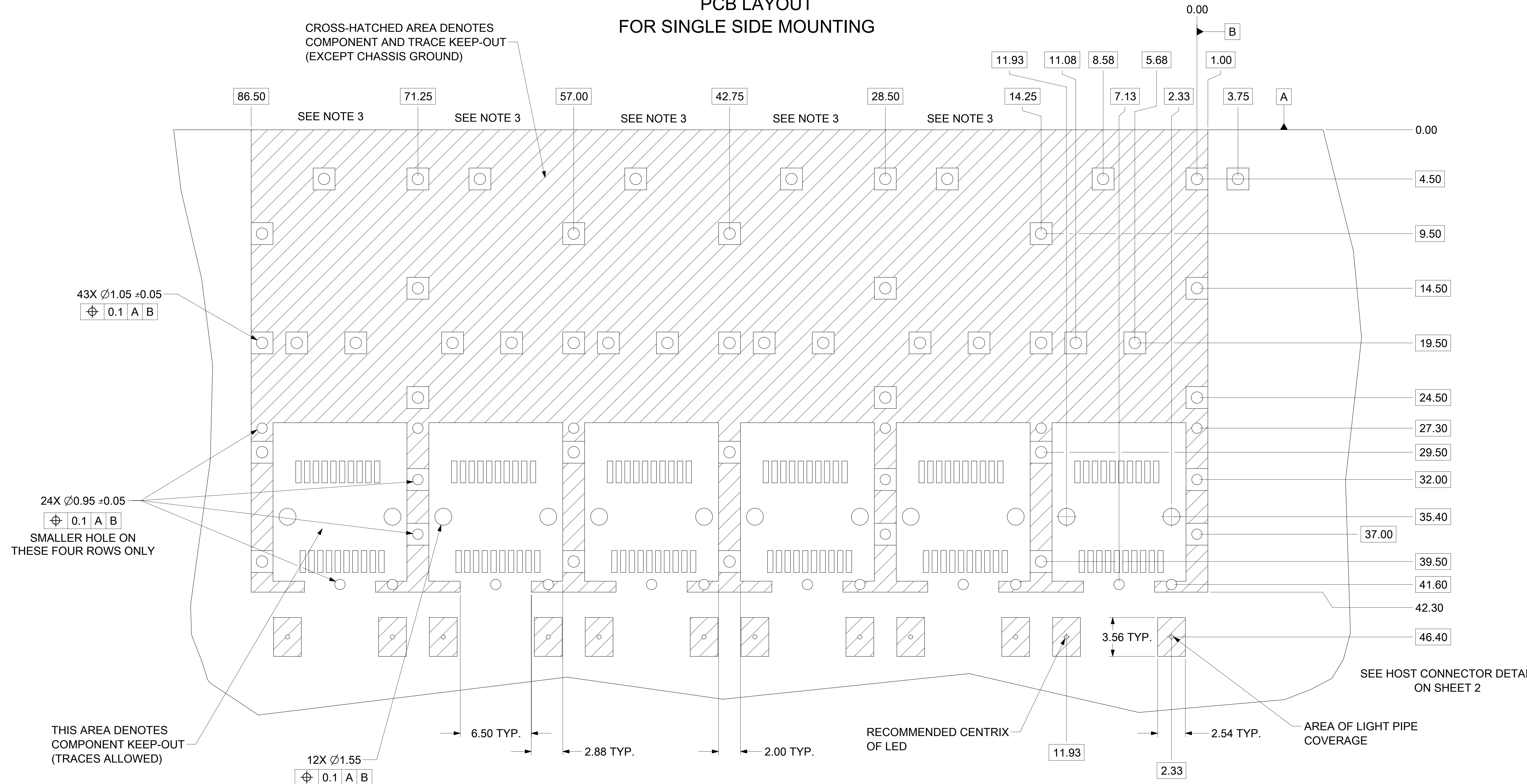


- NOTES:
- PADS AND VIAS GO TO CHASSIS GROUND.
 - CAGE MOUNTING THRU HOLES (94 PLACES) TO BE PLATED. SPACING BETWEEN PORTS IS 14.25mm.

SYMBOLS		THIS DRAWING CONTAINS INFORMATION THAT IS PROPRIETARY TO MOLEX ELECTRONIC TECHNOLOGIES, LLC AND SHOULD NOT BE USED WITHOUT WRITTEN PERMISSION	
$\nabla = 0$	DIMENSION UNITS	SCALE	CURRENT REV DESC: SEE REVISION TABLE
$\nabla = 0$	mm	5:1	
$\nabla = 0$	GENERAL TOLERANCES (UNLESS SPECIFIED)		
$\nabla = 0$	ANGULAR TOL	$\pm 1.0^\circ$	
$\nabla = 0$	4 PLACES	\pm	EC NO: 610385
$\nabla = 0$	3 PLACES	\pm	DRWN: PMAHADEVAPPA 2018/12/14
$\nabla = 0$	2 PLACES	± 0.13	CHK'D: VK10 2019/01/14
$\nabla = 0$	1 PLACE	± 0.25	APPR: RCHEN08 2019/01/15
$\nabla = 0$	0 PLACES	\pm	INITIAL REVISION:
$\nabla = 0$	DRAFT WHERE APPLICABLE MUST REMAIN WITHIN DIMENSIONS		DRWN: PMAHADEVAPPA 2018/12/14
$\nabla = 0$	THIRD ANGLE PROJECTION		APPR: RCHEN08 2019/01/15
$\nabla = 0$	DRAWING		
$\nabla = 0$	D-SIZE		SERIES
$\nabla = 0$	74748		74748
DOCUMENT STATUS		DOCUMENT NUMBER	DOC TYPE DOC PART REVISION
P1	RELEASE DATE	747480002	PSD ASY D
2019/01/15 04:23:43		MATERIAL NUMBER	SHEET NUMBER
		747480002	2 OF 5

PCB LAYOUT FOR SINGLE SIDE MOUNTING

CROSS-HATCHED AREA DENOTES COMPONENT AND TRACE KEEP-OUT (EXCEPT CHASSIS GROUND)



- NOTES:
- PADS AND VIAS GO TO CHASSIS GROUND.
 - CAGE MOUNTING THRU HOLES (49 PLACES) TO BE PLATED.
 - HOLE PATTERN REPEATS FOR EACH PORT, SPACING BETWEEN PORTS IS 14.25mm.

SYMBOLS		THIS DRAWING CONTAINS INFORMATION THAT IS PROPRIETARY TO MOLEX ELECTRONIC TECHNOLOGIES, LLC AND SHOULD NOT BE USED WITHOUT WRITTEN PERMISSION	
▽ = 0	mm	SCALE	6:1
▽ = 0	GENERAL TOLERANCES (UNLESS SPECIFIED)		CURRENT REV DESC: SEE REVISION TABLE
▽ = 0	ANGULAR TOL	±	1.0°
▽ = 0	4 PLACES	±	
▽ = 0	3 PLACES	±	
▽ = 0	2 PLACES	±	0.13
▽ = 0	1 PLACE	±	0.25
▽ = 0	0 PLACES	±	
▽ = 0	DRAFT WHERE APPLICABLE MUST REMAIN WITHIN DIMENSIONS		THIRD ANGLE PROJECTION
EC NO: 610385		DRWING	SERIES
DRWN: PMAHADEVAPPA 2018/12/14		D-SIZE	74748
CHK'D: VK10 2019/01/14		MATERIAL NUMBER	CUSTOMER
APPR: RCHEN08 2019/01/15		747480002	747480002
INITIAL REVISION:		DOCUMENT NUMBER	DOC TYPE
DRWN: PMAHADEVAPPA 2018/12/14		747480002	PSD
APPR: RCHEN08 2019/01/15		DOC PART	AS Y
		REVISION	D
DOCUMENT STATUS		P1	RELEASE DATE
2019/01/15		04:23:43	
SHEET NUMBER		3 OF 5	

molex

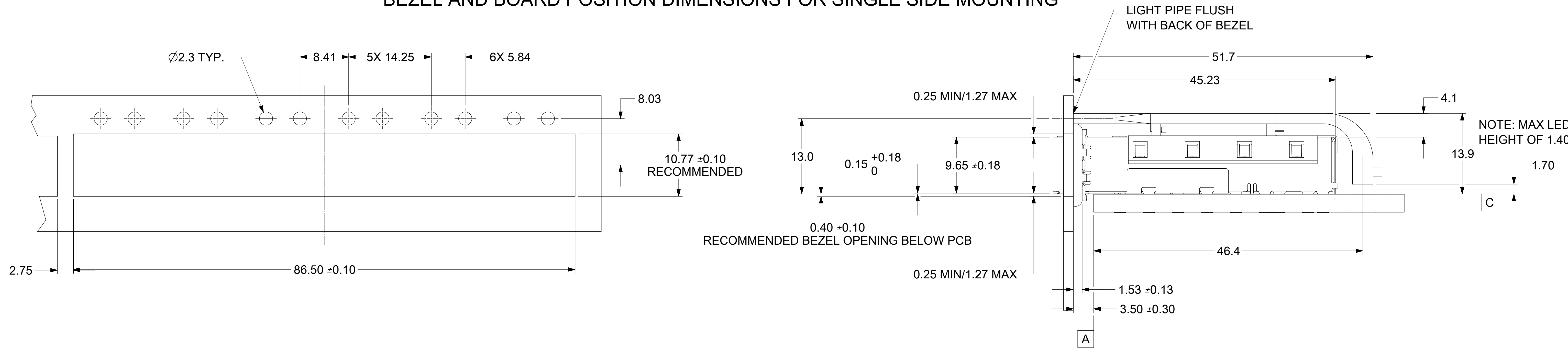
1X6 SFP LIGHT PIPE ASSEMBLY, BACK-TOP, LOW PROFILE

PRODUCT CUSTOMER DRAWING

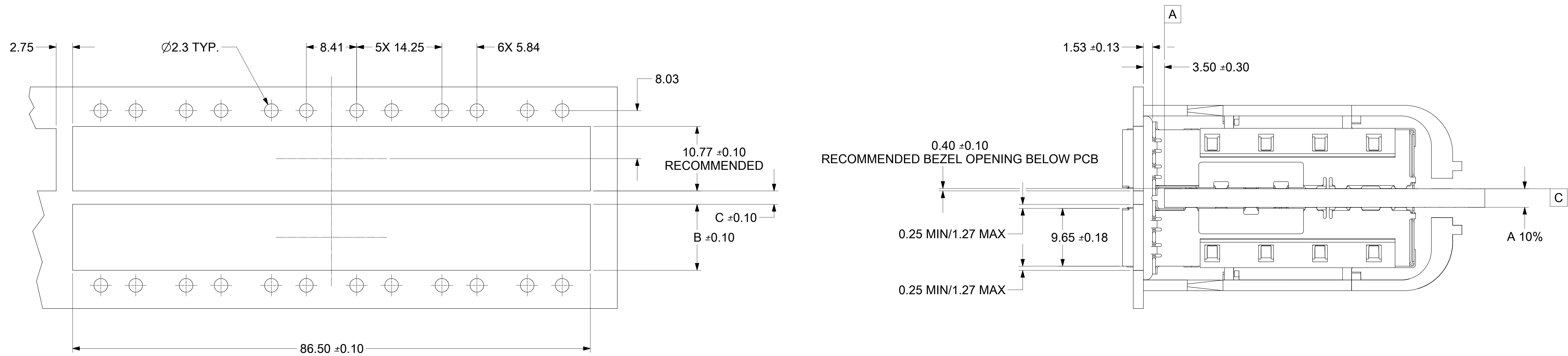
DOCUMENT NUMBER 747480002 DOC TYPE PSD DOC PART AS Y REVISION D

MATERIAL NUMBER 747480002 CUSTOMER SHEET NUMBER 3 OF 5

BEZEL AND BOARD POSITION DIMENSIONS FOR SINGLE SIDE MOUNTING



BEZEL AND BOARD POSITION DIMENSIONS FOR BELLY TO BELLY MOUNTING



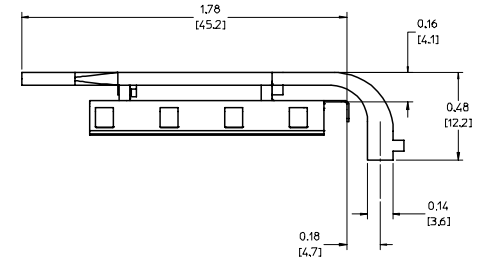
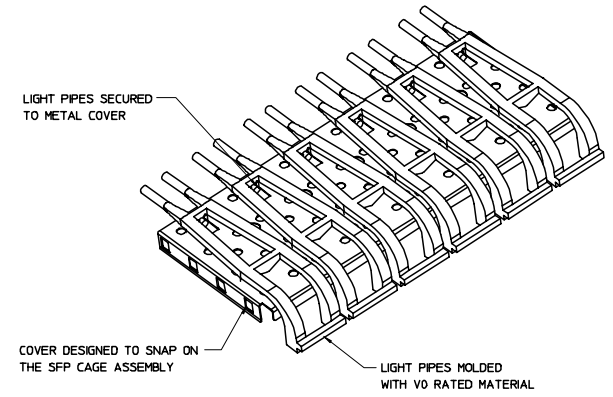
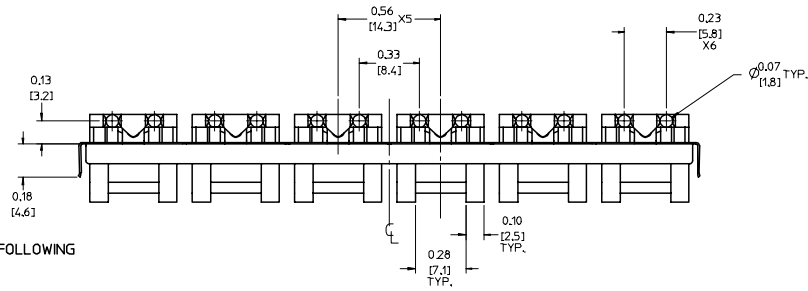
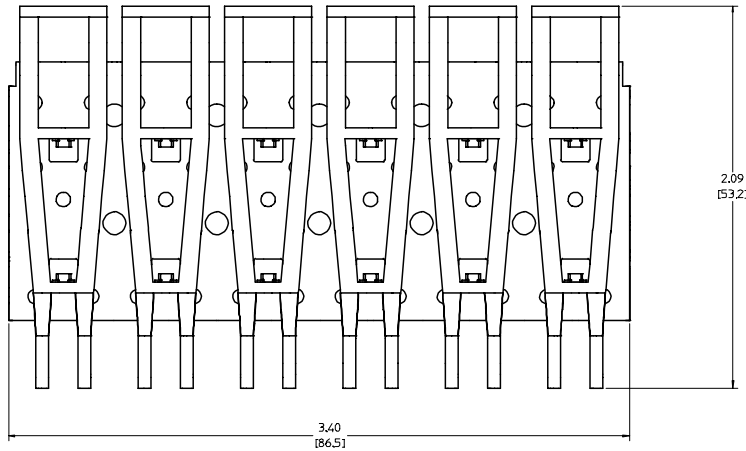
NOTE: FOR A GIVEN BOARD THICKNESS (A), DIMENSIONS (B) AND (C) ARE DIRECTLY AFFECTED. USE RECOMMENDED DIMENSIONS AND TOLERANCES TO AID IN DEVELOPING BEZEL OPENING. FOR EXAMPLE USING A BOARD THICKNESS OF 3.18mm THE RECOMMENDED VALUES WOULD BE:

A = 3.18 ± 10%
 B = 11.03 ± 0.10
 C = 2.23 ± 0.10

SYMBOLS	THIS DRAWING CONTAINS INFORMATION THAT IS PROPRIETARY TO MOLEX ELECTRONIC TECHNOLOGIES, LLC AND SHOULD NOT BE USED WITHOUT WRITTEN PERMISSION		
	DIMENSION UNITS	SCALE	CURRENT REV DESC: SEE REVISION TABLE
▽ = 0	mm	3:1	
▽ = 0	GENERAL TOLERANCES (UNLESS SPECIFIED)		
▽ = 0	ANGULAR TOL	± 1.0°	
▽ = 0	4 PLACES	±	EC NO: 610385
▽ = 0	3 PLACES	±	DRWN: PMAHADEVAPPA 2018/12/14
▽ = 0	2 PLACES	± 0.13	CHK'D: VK10 2019/01/14
▽ = 0	1 PLACE	± 0.25	APPR: RCHEN08 2019/01/15
▽ = 0	0 PLACES	±	INITIAL REVISION:
☒ = 0	DRAFT WHERE APPLICABLE MUST REMAIN WITHIN DIMENSIONS		
☒ = 0	THIRD ANGLE PROJECTION	DRAWING	SERIES
☒ = 0		D-SIZE	74748
DOCUMENT NUMBER		MATERIAL NUMBER	CUSTOMER
747480002		747480002	
DOC TYPE		DOC PART	REVISION
PSD		ASY	D
SHEET NUMBER			4 OF 5

DATE	REV	DESCRIPTION
2004/04/15	1	PRELIMINARY DOCUMENT
2004/07/08	A	INITIAL RELEASE
2005/06/03	B	1.CORRECTED P/N FOR DIALIGHT LED 2.DOCUMENT CHANGE ONLY
2005/06/10	C	UPDATED VIEWS TO SHOW CLEARANCE HOLES ADDED TO THE COVER
2019/01/14	D	1.REMASTERED FROM SD-74748-002 REV_C TO 747480002 PSD ASY REV_D IN NX/ECTR. 2.REMOVED INCH DIMENSIONS IN ALL SHEETS. 3. SHEET 1: F4 : VIEW ADDED FOR DATE CODE REPRESENTATION.

SYMBOLS	THIS DRAWING CONTAINS INFORMATION THAT IS PROPRIETARY TO MOLEX ELECTRONIC TECHNOLOGIES, LLC AND SHOULD NOT BE USED WITHOUT WRITTEN PERMISSION									
	DIMENSION UNITS		SCALE		CURRENT REV DESC: SEE REVISION TABLE					
	mm		1:1		<p>molex</p> <p>1X6 SFP LIGHT PIPE ASSEMBLY, BACK-TOP, LOW PROFILE</p> <p>PRODUCT CUSTOMER DRAWING</p>					
	GENERAL TOLERANCES (UNLESS SPECIFIED)									
	ANGULAR TOL ± 1.0°									
	▽ = 0		4 PLACES ±							
	▽ = 0		3 PLACES ±							
	▽ = 0		2 PLACES ± 0.13		EC NO: 610385		DRWN: PMAHADEVAPPA 2018/12/14		2019/01/14	
	▽ = 0		1 PLACE ± 0.25		APP: RCHEN08 2019/01/15		INITIAL REVISION:		DRWN: PMAHADEVAPPA 2018/12/14	
	☒ = 0		0 PLACES ±		APP: RCHEN08 2019/01/15		2019/01/15		2019/01/15	
■ = 0		DRAFT WHERE APPLICABLE MUST REMAIN WITHIN DIMENSIONS		THIRD ANGLE PROJECTION		DRAWING		SERIES		
▽ = 0				D-SIZE		74748		MATERIAL NUMBER		
								CUSTOMER		
								SHEET NUMBER		



NOTES:

1. THIS LIGHT PIPE ASSEMBLY TO BE USED WITH THE FOLLOWING 1X6 SFP CAGE ASSEMBLIES:

747470001 - 1X6 SFP CAGE ASSEMBLY, W/ PRESS FIT PINS, W/ 0.090 GASKET (REFER TO DOCUMENT SD-74747-001)

747470003 - 1X6 SFP CAGE ASSEMBLY, W/ SPRING FINGER GASKET. (REFER TO DOCUMENT SD-74747-003)

2. IT IS RECOMMENDED THAT THE CAGE ASSEMBLY BE PRESSED INTO THE PCB PRIOR TO ASSEMBLING THE LIGHT PIPE ASSEMBLY.

3. LED'S TO HAVE A MAXIMUM HEIGHT OF 1.4mm AND A MINIMUM HEIGHT OF 0.7mm.

4. RECOMMENDED LED'S INCLUDE THE FOLLOWING MANUFACTURERS:

DIALIGHT: 597-77x1-5xx SERIES

CHICAGO MINIATURE: 7016 SERIES

KINGBRIGHT: APBL3025 SERIES (BICOLOR)
APL3015 SERIES (SINGLE COLOR)

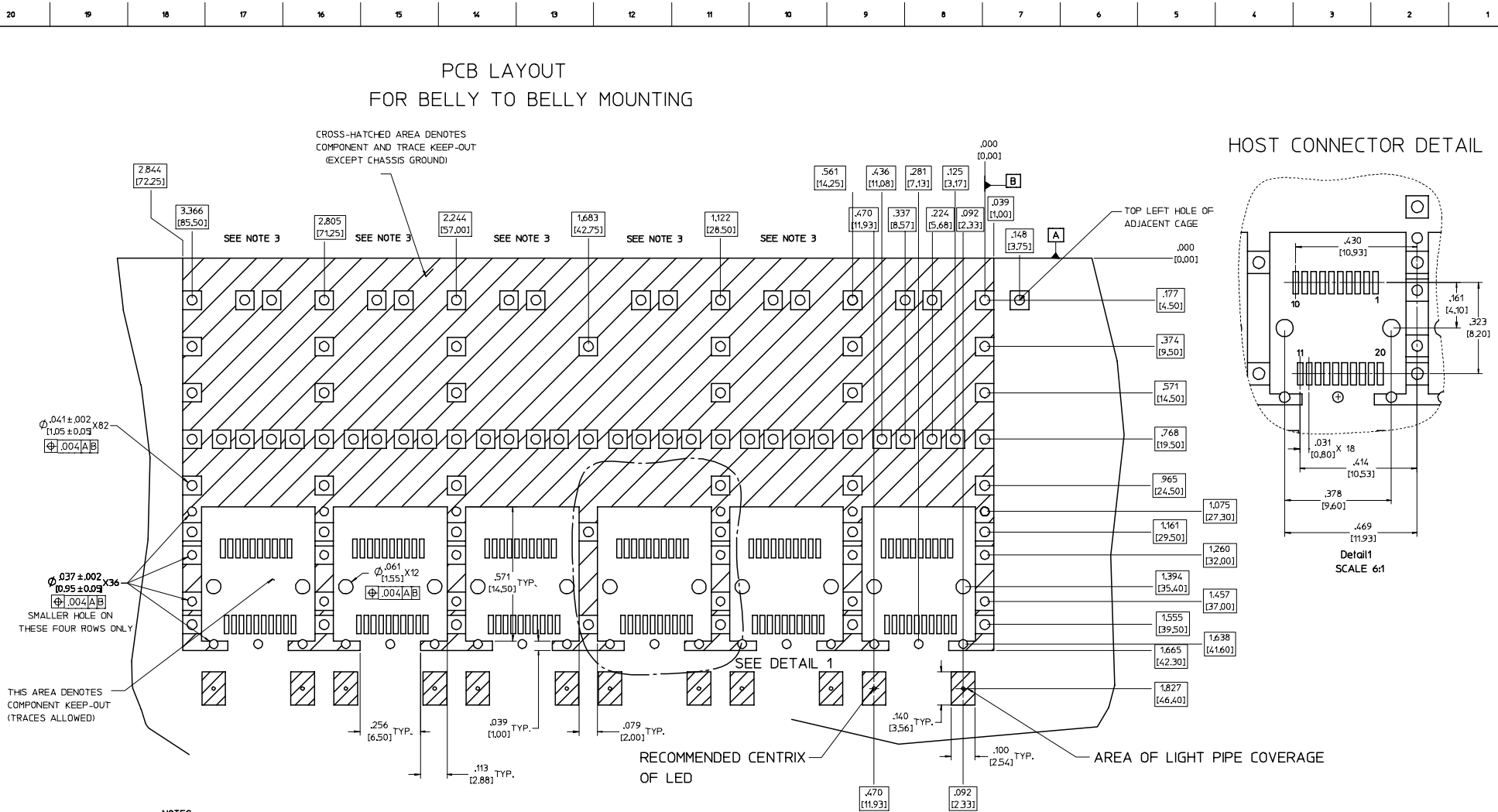
5. THIS PART MEETS THE RESTRICTION OF HAZARDOUS SUBSTANCES IN ELECTRICAL AND ELECTRONIC EQUIPMENT (ROHS) DIRECTIVE (2002/95/EC).

ENTER DESCRIPTION EC NO: UST2006-0008 TORWANSI MONSON 2005/07/15 CHFKBRUSSELL 2005/07/15 APPR:BRUSSELL 2005/07/25	QUALITY SYMBOLS 	GENERAL TOLERANCES (UNLESS SPECIFIED)		DIMENSION STYLE IN/MM		SCALE 3:1	DESIGN UNITS METRIC	THIRD ANGLE PROJECTION	
		4 PLACES ± --- ± --- 3 PLACES ± --- ± .005 2 PLACES ± 0.13 ± .01 1 PLACE ± 0.25 ± ---	mm INCH	DRAWN BY KS IMONSO	DATE 2004/07/08	TITLE 1X6 SFP LIGHT PIPE ASSEMBLY, BACK-TOP, LOW PROFILE			
		ANGULAR ± 1 °		CHECKED BY BRUSSELL	DATE 2004/07/08	MATERIAL NO. 747480002		DOCUMENT NO. SD-74748-002	SHEET NO. 1 OF 5
		DRAFT WHERE APPLICABLE MUST REMAIN WITHIN DIMENSIONS		THIS DRAWING CONTAINS INFORMATION THAT IS PROPRIETARY TO MOLEX INCORPORATED AND SHOULD NOT BE USED WITHOUT WRITTEN PERMISSION		MOLEX INCORPORATED			

PCB LAYOUT FOR BELLY TO BELLY MOUNTING

CROSS-HATCHED AREA DENOTES
COMPONENT AND TRACE KEEP-OUT
(EXCEPT CHASSIS GROUND)

HOST CONNECTOR DETAIL

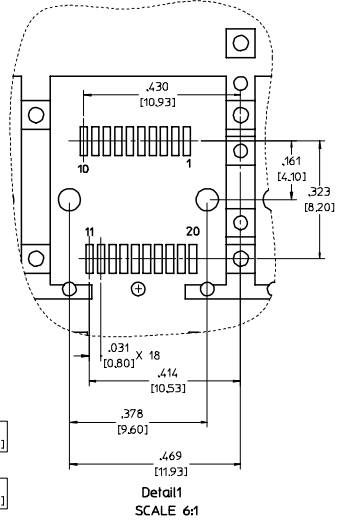


$\varnothing .041 \pm .002$ X82
(1.05 ± 0.05)
[.004]A[B]

$\varnothing .037 \pm .002$ X36
(0.95 ± 0.05)
[.004]A[B]
SMALLER HOLE ON
THESE FOUR ROWS ONLY

THIS AREA DENOTES
COMPONENT KEEP-OUT
(TRACES ALLOWED)

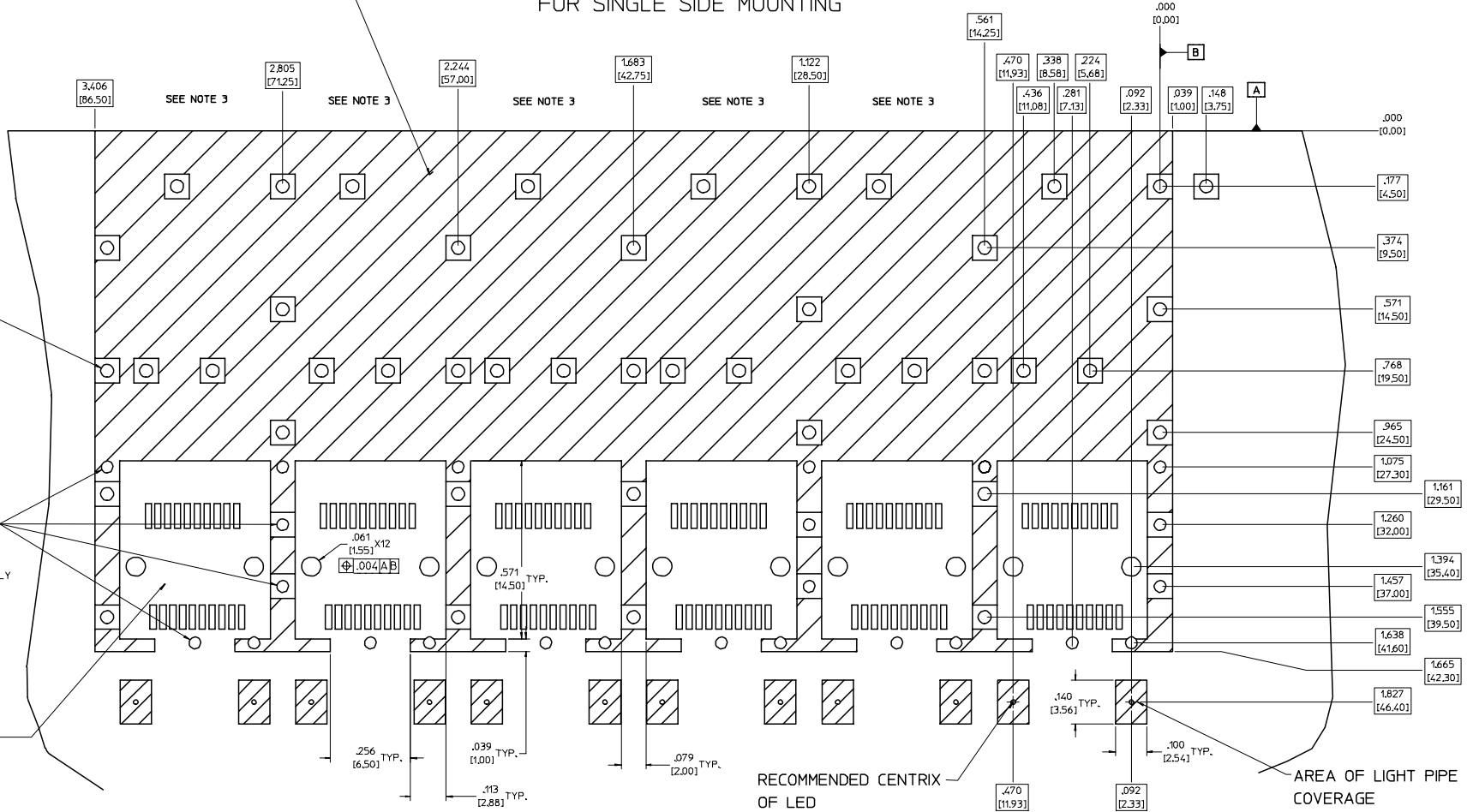
- NOTES:**
1. PADS AND VIAS GO TO CHASSIS GROUND.
 2. CAGE MOUNTING THRU HOLES (94 PLACES) TO BE PLATED.
SPACING BETWEEN PORTS IS 5.61 [14.25]



ENTER DESCRIPTION EC NO: UST2006-0008 DRAWN BY: JORWANSI MONSON 2005/07/15 CHECKED BY: CHUCK BRUSSELL 2005/07/15 APPR: BRUSSELL 2005/07/25 REV DESCRIPTION	QUALITY SYMBOLS	GENERAL TOLERANCES (UNLESS SPECIFIED)	DIMENSION STYLE	SCALE	DESIGN UNITS	THIRD ANGLE PROJECTION	
	$\nabla=0$ $\nabla=0$	4 PLACES ± --- ± --- 3 PLACES ± --- ± .005 2 PLACES ± 0.13 ± .01 1 PLACE ± 0.25 ± --- ANGULAR ± 1 °	IN/MM INCH	DRAWN BY: KS IMONSO CHECKED BY: BRUSSELL APPROVED BY: BRUSSELL	5:1 METRIC	TITLE: 1X6 SFP LIGHT PIPE ASSEMBLY, BACK-TOP, LOW PROFILE MOLEX INCORPORATED	SHEET NO: 2 OF 5
	DRAFT WHERE APPLICABLE MUST REMAIN WITHIN DIMENSIONS	MATERIAL NO: 747480002	DOCUMENT NO: SD-74748-002	THIS DRAWING CONTAINS INFORMATION THAT IS PROPRIETARY TO MOLEX INCORPORATED AND SHOULD NOT BE USED WITHOUT WRITTEN PERMISSION			
	SIZE D						

PCB LAYOUT FOR SINGLE SIDE MOUNTING

CROSS-HATCHED AREA DENOTES
COMPONENT AND TRACE KEEP-OUT
(EXCEPT CHASSIS GROUND)



$\varnothing .041 \pm .002$
[1.05 ± 0.05]
[Φ .004] [A] [B]

$\varnothing .037 \pm .002$
[0.95 ± 0.05]
[Φ .004] [A] [B]
SMALLER HOLE ON
THESE FOUR ROWS ONLY

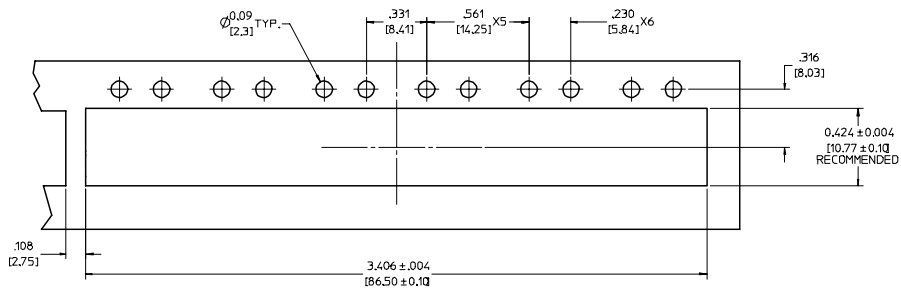
THIS AREA DENOTES
COMPONENT KEEP-OUT
(TRACES ALLOWED)

- NOTES:
1. PADS AND VIAS GO TO CHASSIS GROUND.
 2. GAGE MOUNTING THRU HOLES (49 PLACES) TO BE PLATED.
 3. HOLE PATTERN REPEATS FOR EACH PORT.
SPACING BETWEEN PORTS IS 14.25mm.

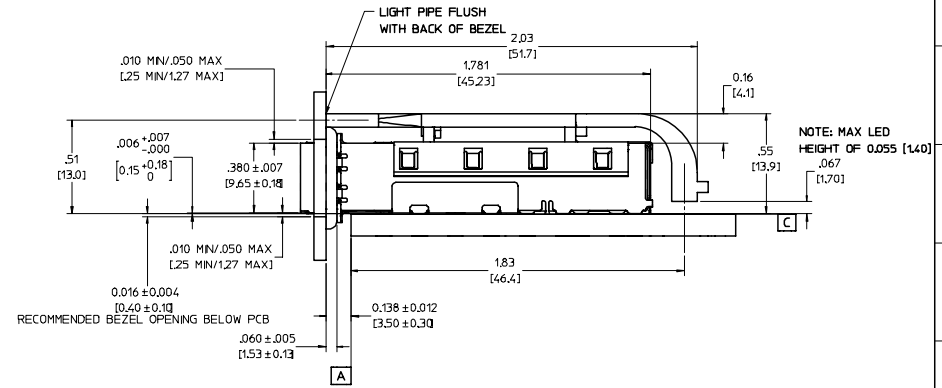
RECOMMENDED CENTRIX
OF LED

AREA OF LIGHT PIPE
COVERAGE

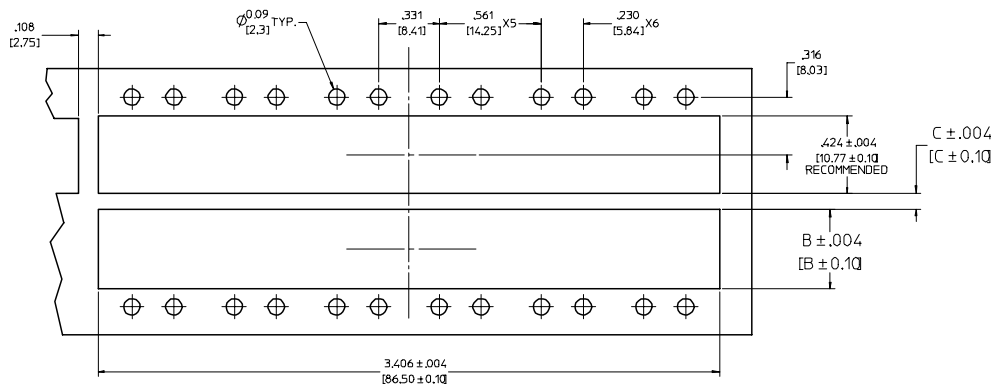
ENTER DESCRIPTION EC NO: UST2006-0008 DRAWN BY: JORWANKS MONSON 2005/07/15 CHECKED BY: CHFKBRUSSELL 2005/07/15 APPR: BRUSSELL 2005/07/25	QUALITY SYMBOLS	GENERAL TOLERANCES (UNLESS SPECIFIED)	DIMENSION STYLE	SCALE	DESIGN UNITS	THIRD ANGLE PROJECTION
	$\nabla=0$ $\nabla=0$	mm INCH 4 PLACES ± --- ± --- 3 PLACES ± --- ± .005 2 PLACES ± 0.13 ± .01 1 PLACE ± 0.25 ± --- ANGULAR ± 1 °	IN/MM DRAWN BY: KS IMONSO 2004/07/08 CHECKED BY: BRUSSELL 2004/07/08 APPROVED BY: BRUSSELL 2004/07/08	6:1	METRIC	TITLE: 1X6 SFP LIGHT PIPE ASSEMBLY, BACK-TOP, LOW PROFILE MOLEX INCORPORATED
	DRAFT WHERE APPLICABLE MUST REMAIN WITHIN DIMENSIONS	MATERIAL NO: 747480002	DOCUMENT NO: SD-74748-002	SHEET NO: 3 OF 5		
	SIZE D	THIS DRAWING CONTAINS INFORMATION THAT IS PROPRIETARY TO MOLEX INCORPORATED AND SHOULD NOT BE USED WITHOUT WRITTEN PERMISSION				



BEZEL AND BOARD POSITION DIMENSIONS FOR SINGLE SIDE MOUNTING



BEZEL AND BOARD POSITION DIMENSIONS FOR BELLY TO BELLY MOUNTING

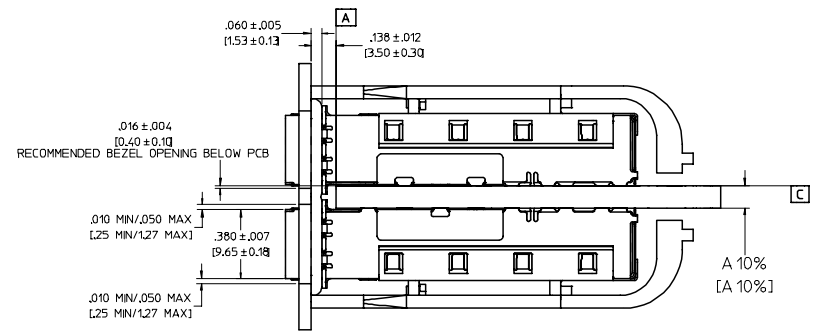


NOTE: FOR A GIVEN BOARD THICKNESS (A), DIMENSIONS (B) AND (C) ARE DIRECTLY AFFECTED.

USE RECOMMENDED DIMENSIONS AND TOLERANCES TO AID IN DEVELOPING BEZEL OPENING.

FOR EXAMPLE USING A BOARD THICKNESS OF .125" THE RECOMMENDED VALUES WOULD BE:

- A= .125/3.18 ± 10%
- B= .434/11.03 ± .004
- C= .088/2.23 ± .004



ENTER DESCRIPTION EC NO: UST2006-0008 DRAWN BY: JORWANSI MONSON 2005/07/15 CHECKED BY: CHUCK BRUSSELL 2005/07/15 APPROVED BY: BRUSSELL 2005/07/25 REV:	QUALITY SYMBOLS ▽=0 ▽=0	GENERAL TOLERANCES (UNLESS SPECIFIED) <table border="1"> <tr> <th></th> <th>mm</th> <th>INCH</th> </tr> <tr> <td>4 PLACES ±</td> <td>---</td> <td>±---</td> </tr> <tr> <td>3 PLACES ±</td> <td>---</td> <td>±.005</td> </tr> <tr> <td>2 PLACES ±</td> <td>0.13</td> <td>±.01</td> </tr> <tr> <td>1 PLACE ±</td> <td>0.25</td> <td>±---</td> </tr> <tr> <td colspan="3">ANGULAR ± 1 °</td> </tr> </table>		mm	INCH	4 PLACES ±	---	±---	3 PLACES ±	---	±.005	2 PLACES ±	0.13	±.01	1 PLACE ±	0.25	±---	ANGULAR ± 1 °			DIMENSION STYLE IN/MM	SCALE 4:1	DESIGN UNITS METRIC	THIRD ANGLE PROJECTION
		mm	INCH																					
	4 PLACES ±	---	±---																					
	3 PLACES ±	---	±.005																					
2 PLACES ±	0.13	±.01																						
1 PLACE ±	0.25	±---																						
ANGULAR ± 1 °																								
DRAFT WHERE APPLICABLE MUST REMAIN WITHIN DIMENSIONS	MATERIAL NO. 747480002	DATE 2004/07/08 DATE 2004/07/08 DATE 2004/07/08	TITLE 1X6 SFP LIGHT PIPE ASSEMBLY, BACK-TOP, LOW PROFILE	MOLEX INCORPORATED	DOCUMENT NO. SD-74748-002	SHEET NO. 4 OF 5																		
SIZE D	THIS DRAWING CONTAINS INFORMATION THAT IS PROPRIETARY TO MOLEX INCORPORATED AND SHOULD NOT BE USED WITHOUT WRITTEN PERMISSION																							

20 19 18 17 16 15 14 13 12 11 10 9 8 7 6 5 4 3 2 1

M

L

K

J

I

H

G

F

E

D

C

B

A

M

L

K

J

I

H

G

F

E

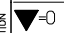
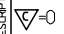


D

C

B

A

DATE	REV	CHANGES	COMMENTS
2004/04/15	1	PRELIMINARY DOCUMENT	N/A
2004/07/08	A	INITIAL RELEASE	N/A
2005/06/03	B	CORRECTED P/N FOR DIALIGHT LED	DOCUMENT CHANGE ONLY
2005/06/10	C	UPDATED VIEWS TO SHOW CLEARANCE HOLES ADDED TO THE COVER	N/A

ENTER DESCRIPTION EC NO: UST2006-0008 DRAWN BY: JORWANKI MONSON 2005/07/15 CHECKED BY: CHFKO BRUSSELL 2005/07/15 APPROVED BY: BRUSSELL 2005/07/25	QUALITY SYMBOLS  = 0  = 0.05	GENERAL TOLERANCES (UNLESS SPECIFIED)		DIMENSION STYLE IN/MM		SCALE 1:1	DESIGN UNITS METRIC	 THIRD ANGLE PROJECTION	
		4 PLACES ± --- ± --- 3 PLACES ± --- ± .005 2 PLACES ± 0.13 ± .01 1 PLACE ± 0.25 ± ---	mm INCH	DRAWN BY KS IMONSO	DATE 2004/07/08	TITLE 1X6 SFP LIGHT PIPE ASSEMBLY, BACK-TOP, LOW PROFILE			
		ANGULAR ± 1 °		CHECKED BY BRUSSELL	DATE 2004/07/08	APPROVED BY BRUSSELL			DATE 2004/07/08
		DRAFT WHERE APPLICABLE MUST REMAIN WITHIN DIMENSIONS		MATERIAL NO. 747480002	DOCUMENT NO. SD-74748-002	 MOLEX INCORPORATED			SHEET NO. 5 OF 5

19 18 17 16 15 14 13 12 11 10 9 8 7 6 5 4 3 2 1