



## SALES PACKAGING SPECIFICATION



|          |
|----------|
| LANGUAGE |
| JAPANESE |
| ENGLISH  |

1. 製品名称 / PRODUCT NAME : 52991-\*\*\*0 EMBOSSED TAPE PACKAGING  
(0.5mm PITCH B TO B CONN. REC HS'G ASS'Y)

製品番号 / PART NUMBER : 5 2 9 9 1 - 0 8 0 1  
5 2 9 9 1 - \* \* \* 8

## 2. 標準梱包数 / STANDARD PACK QUANTITY

| 極数<br>CKT.<br>SIZE | キャリア<br>テープ幅 (mm)<br>CARRIER TAPE<br>WIDTH (mm) | 1 リール中の製品数<br>QTY. PER REEL | 外装カートン<br>SHIPPING CARTON    |                 |
|--------------------|---|-----------------------------|------------------------------|-----------------|
|                    |   |                             | 梱包リール数<br>NUMBER OF<br>REELS | 製品数<br>QUANTITY |
| 20                 | 16  | 3,000                       | 8 (4)                        | 24,000 (12,000) |
| 30                 | 24  | 3,000                       | 6 (3)                        | 18,000 (9,000)  |
| 40                 |   |                             |                              |                 |
| 50                 | 32  | 3,000                       | 4 (2)                        | 12,000 (6,000)  |
| 60                 |   |                             |                              |                 |
| 70                 | 44  | 3,000                       | 3 (1)                        | 9,000 (3,000)   |
| 80                 |   |                             |                              |                 |

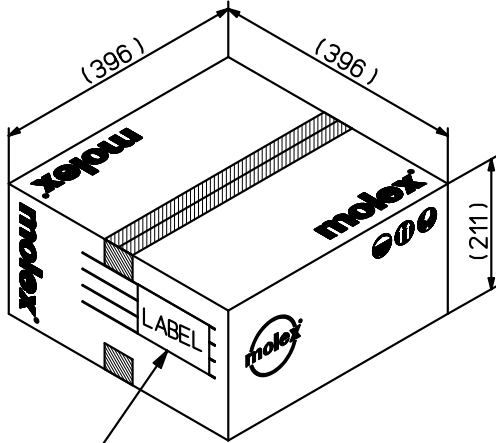
注：（ ）内の数は、少量出荷用カートンを用いた場合の梱包数。

NOTE: (\*) NUMBERS ARE APPLICABLE FOR SMALL LOT. SHIPMENT.

|   |   |        |  |                           |                           |
|---|---|--------|--|---------------------------|---------------------------|
| REV.                                    | B   |        |  |                           |                           |
| SHEET                                   | 1~2   |        |  |                           |                           |
| REVISE ON PC ONLY                       |   | TITLE: |  |                           |                           |
| <b>B</b>                                | REVISED<br>J2011-0838<br>'10/12/20 M.KAWABATA   |        | 5 2 9 9 1 梱包仕様書<br>SALES PACKAGING SPEC. FOR 52991 |                           |                           |
|   | THIS DOCUMENT CONTAINS INFORMATION THAT IS PROPRIETARY TO<br>MOLEX INC. AND SHOULD NOT BE USED WITHOUT WRITTEN PERMISSION |        |  |                           |                           |
| REV.                                    | DESCRIPTION   |        |  |                           |                           |
| DESIGN CONTROL<br>J                     |   | STATUS | WRITTEN BY:<br>Y.TOKUZONO                          | CHECKED BY:<br>T.HARUYAMA | APPROVED BY:<br>M.ENOMOTO |
|   |   |        | DATE : YR/MO/DAY<br>1996/4/30                      |                           |                           |
| DOCUMENT NUMBER<br><b>SPK-52991-001</b> |   |        | FILE NAME<br>SPK52991001.doc                       |                           | SHEET<br>1 of 2           |



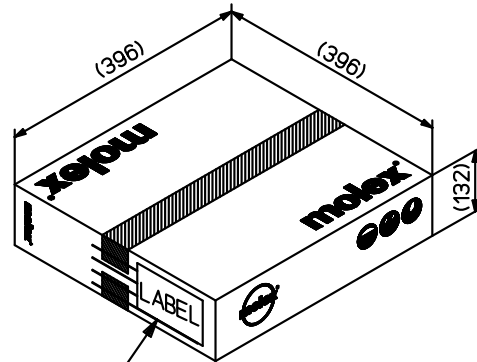
3. カートン外形参考寸法 / CARTON OUTER DIMENSIONS (REFERENCE PURPOSE ONLY)



カートンラベル  
CARTON LABEL

(製品型番, 数量, ロットNO. 表示)  
INDICATION OF PART No., QUANTITY, LOT No.

標準カートン  
STANDARD CARTON



カートンラベル  
CARTON LABEL

(製品型番, 数量, ロットNO. 表示)  
INDICATION OF PART No., QUANTITY, LOT No.

少量出荷用カートン  
FOR SMALL LOT. SHIPMENT

|   |                   |  |  |
|---|-------------------|--|--|
|   | REVISE ON PC ONLY |  | TITLE:<br><br>5 2 9 9 1 梱包仕様書<br>SALES PACKAGING SPEC. FOR 52991 |
|   | <b>B</b>          | SEE SHEET 1 OF 2   |  |
| REV.                                    | DESCRIPTION       | THIS DOCUMENT CONTAINS INFORMATION THAT IS PROPRIETARY TO MOLEX INC. AND SHOULD NOT BE USED WITHOUT WRITTEN PERMISSION |  |
| DOCUMENT NUMBER<br><b>SPK-52991-001</b> |                   |  | FILE NAME<br>SPK52991001.doc                                     |
|   |                   |  | SHEET<br>2 of 2  |