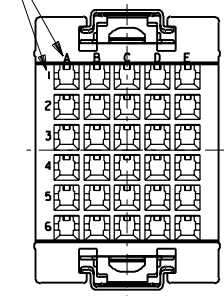


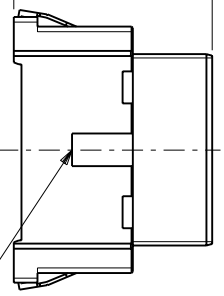
DWG. NO. SD-51233-009

回路番号表示  
CKT.No.IDENTIFICATION

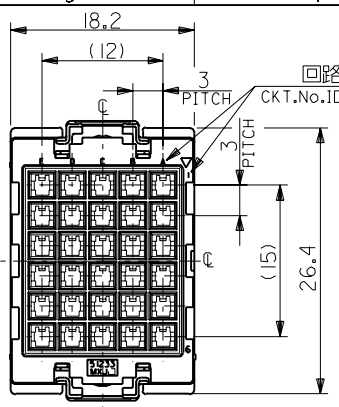
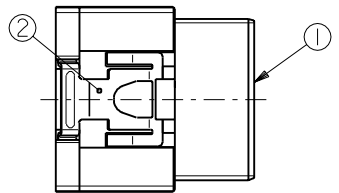


電線挿入側  
WIRE SIDE

19.7

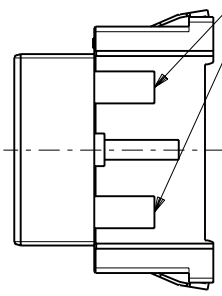


シェル挿入方向キー  
POLARIZATIONS KEY FOR SHELL



嵌合側  
MATING SIDE

シェル挿入方向キー  
POLARIZATIONS KEY FOR SHELL



注記  
NOTES

- 材質  
MATERIAL  
①ハウジング：ガラス入りPBT樹脂  
HOUSING : PBT G.F.  
UL94V-0 色：黒  
UL94V-0 COLOR : BLACK  
②スプリング：ステンレス鋼 t0.3  
SPRING : STAINLESS STEEL t0.3
- 適用端子：56116-8\*90 , 56117-8\*90  
56118-8\*90 , 56119-8\*90  
APPLICABLE CRIMP PIN : 56116-8\*90 , 56117-8\*90  
56118-8\*90 , 56119-8\*90
- 適用リセプタクル シェル：56377-30\*\*  
APPLICABLE RECEPTACLE SHELL : 56377-30\*\*
- 嵌合相手：51239-300\*  
MEET WITH : 51239-300\*

<誤嵌合防止キー(極性)タイプ> <POLARITY KEY TYPE>

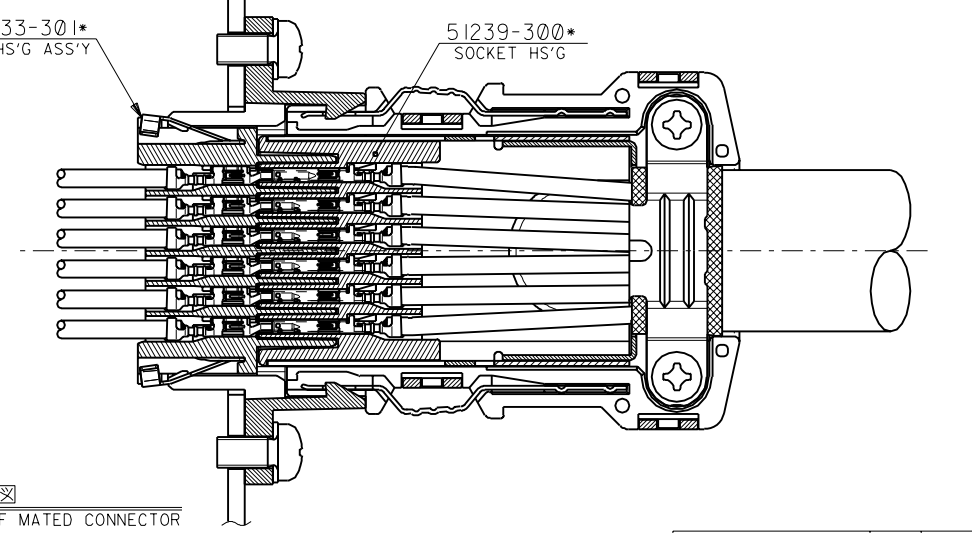
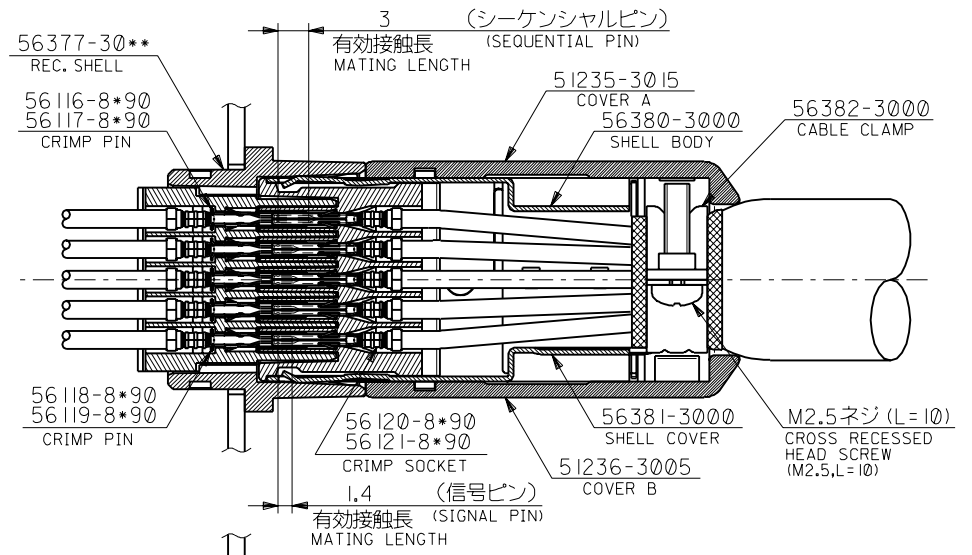
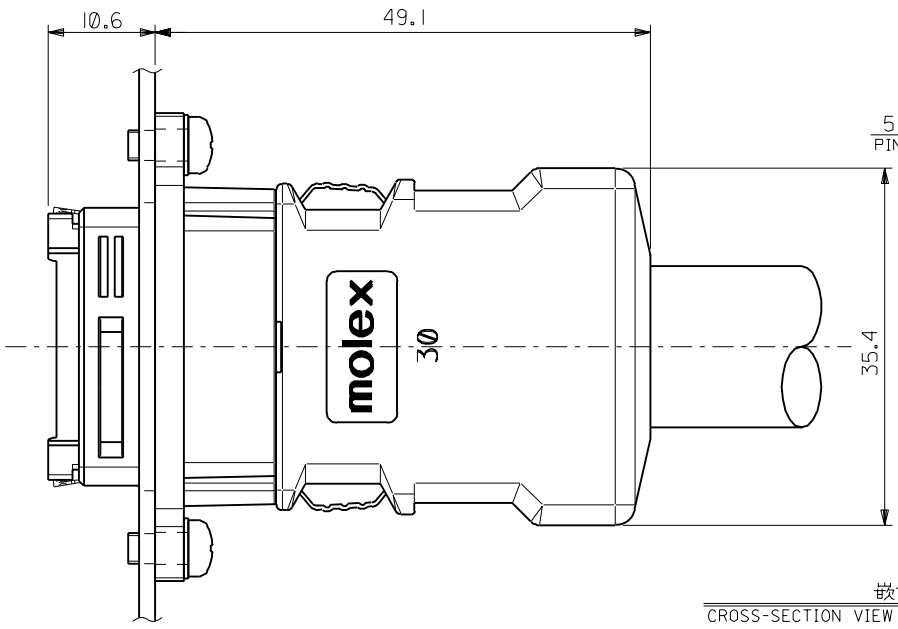
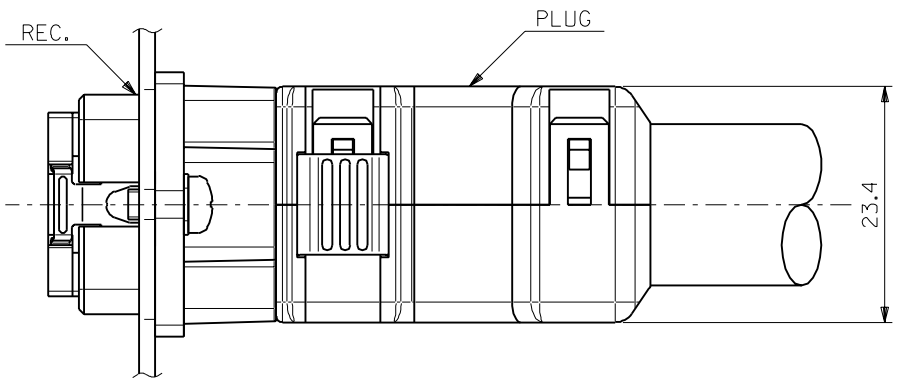
51233-3011	51233-3012	51233-3013	51233-3014	51233-3015
STANDARD TYPE	A TYPE	B TYPE	C TYPE	D TYPE

B-3	D	51233-3015	51233-***1*	30
D-4	C	51233-3014		
C-4	B	51233-3013		
C-3	A	51233-3012		
—	STANDARD	51233-3011		
POLARITY POSITION (CIRCUIT No.)	POLARITY TYPE	MATERIAL No.	MODEL No.	CIRCUIT

DO NOT SCALE DRAWING

EC NO. DRWN: CHK: APPR:	EC NO. DRWN: CHK: APPR:	EC NO. DRWN: CHK: APPR:	REVISED 01/10/04 EC NO. J2002-0786 DRWN: S.AKIYAMA CHK: J.MIYAZAWA APPR: YO.ITO	RELEASED 01/02/16 EC NO. JD2001-1040 DRWN: S.AKIYAMA CHK: J.MIYAZAWA APPR: H.IKESUGI	MATERIAL 材料 注記参照 SEE NOTES	GENERAL TOLERANCES: (UNLESS SPECIFIED) 一般公差	SCALE 2-1 DESIGN UNITS mm INCH	THIRD ANGLE PROJECTION	DIMENSIONS: mm INCH	SHT REV
						10 UNDER 未満 ±0.2	DESIGN BY & DATE S. Akiyama 1/01/25	TITLE: COMPACT ROBOT CONN. (CRC) REC. PIN HS'G ASS'Y		
						10 OVER 30 UNDER 未満 ±0.25	CHECKED BY & DATE J. Miyazawa / Y. Ito			
						30 OVER 以上 ±0.3	APPROVED BY & DATE S. Akiyama			
						ANGLE 角度 ±3°	CAD FILE NAME 51233009.S01	MATERIAL NO. SEE CHART	DRAWING NO. SD-51233-009	SHEET NO. 1 OF 4
							THIS DRAWING CONTAINS INFORMATION THAT IS PROPRIETARY TO MOLEX INCORPORATED AND SHOULD NOT BE USED WITHOUT WRITTEN PERMISSION.			SIZE B

DWG. NO. SD-51233-009

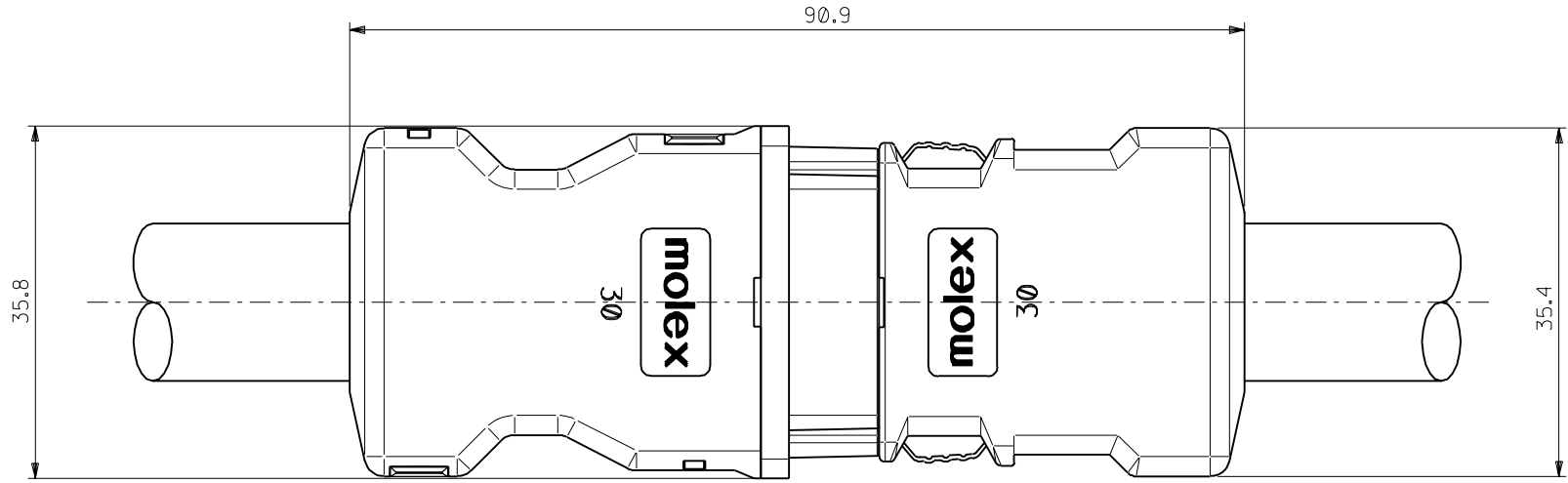
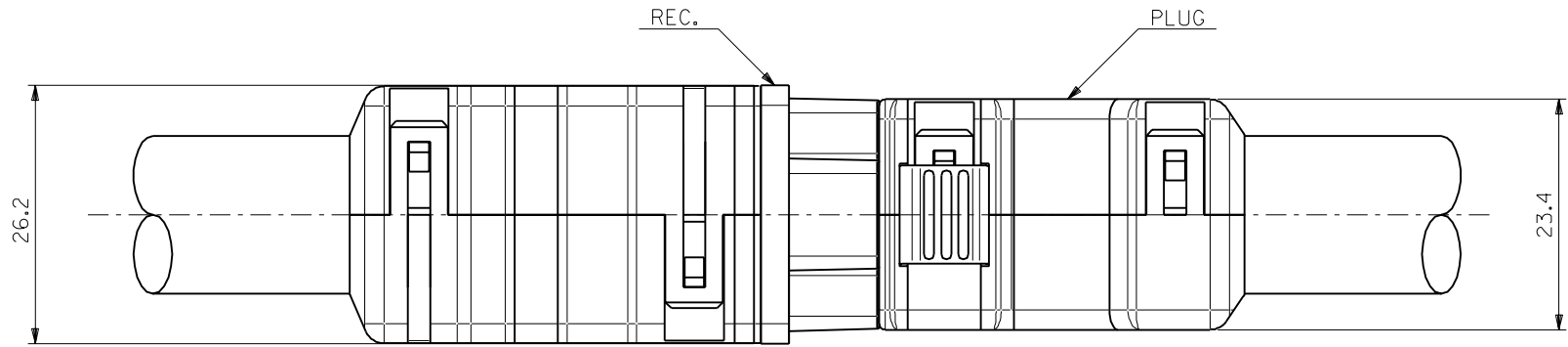


嵌合図  
CROSS-SECTION VIEW OF MATED CONNECTOR

DO NOT SCALE DRAWING

EC NO. DRWN: CH'K: APPR:		EC NO. DRWN: CH'K: APPR:		EC NO. DRWN: CH'K: APPR:		REVISIONS		MATERIAL		GENERAL TOLERANCES:		SCALE		DESIGN UNITS		THIRD ANGLE PROJECTION		DIMENSIONS:		SHT		REV			
						REVISED 01/10/04		材料		UNLESS SPECIFIED		2-1		mm □ INCH		◎ □		mm □ INCH □ mm □ mm ONLY		REVISIONS		REVISIONS			
						EC NO. J2002-0786		注記参照		10 UNDER		DRAWN BY & DATE		S. Adiyama		TITLE:		COMPACT ROBOT CONN. (CRC)		2		4			
						DRWN: S. AKIYAMA		SEE NOTES		10 OVER 30 UNDER		CHECKED BY & DATE		J. Mizuno / 2.0		COMPACT ROBOT CONN. (CRC)		REC. PIN HS'G ASS'Y		2		4			
						CH'K: J. MIYAZAWA		#		30 OVER		APPROVED BY & DATE		M. Hasegawa		MOLEX		MOLEX INCORPORATED		2		4			
						APP'R: YO. ITO		#		ANGLE		CAD FILE NAME		51233009.S02		MATERIAL NO.		SEE CHART		SD-51233-009		2		4	
						RELEASED 01/02/16		#		INS. RANGE		MATERIAL NO.		51233009.S02		DRAWING NO.		SD-51233-009		2		4			
						EC NO. JD2001-1040		#				THIS DRAWING CONTAINS INFORMATION THAT IS PROPRIETARY TO MOLEX INCORPORATED AND SHOULD NOT BE USED WITHOUT WRITTEN PERMISSION.		51233009.S02		SIZE		B		2		4			
						DRWN: S. AKIYAMA										EN-02J(097) MXJ-54									
						CH'K: J. MIYAZAWA																			
						APP'R: H. IKESUGI																			

51233009.S02

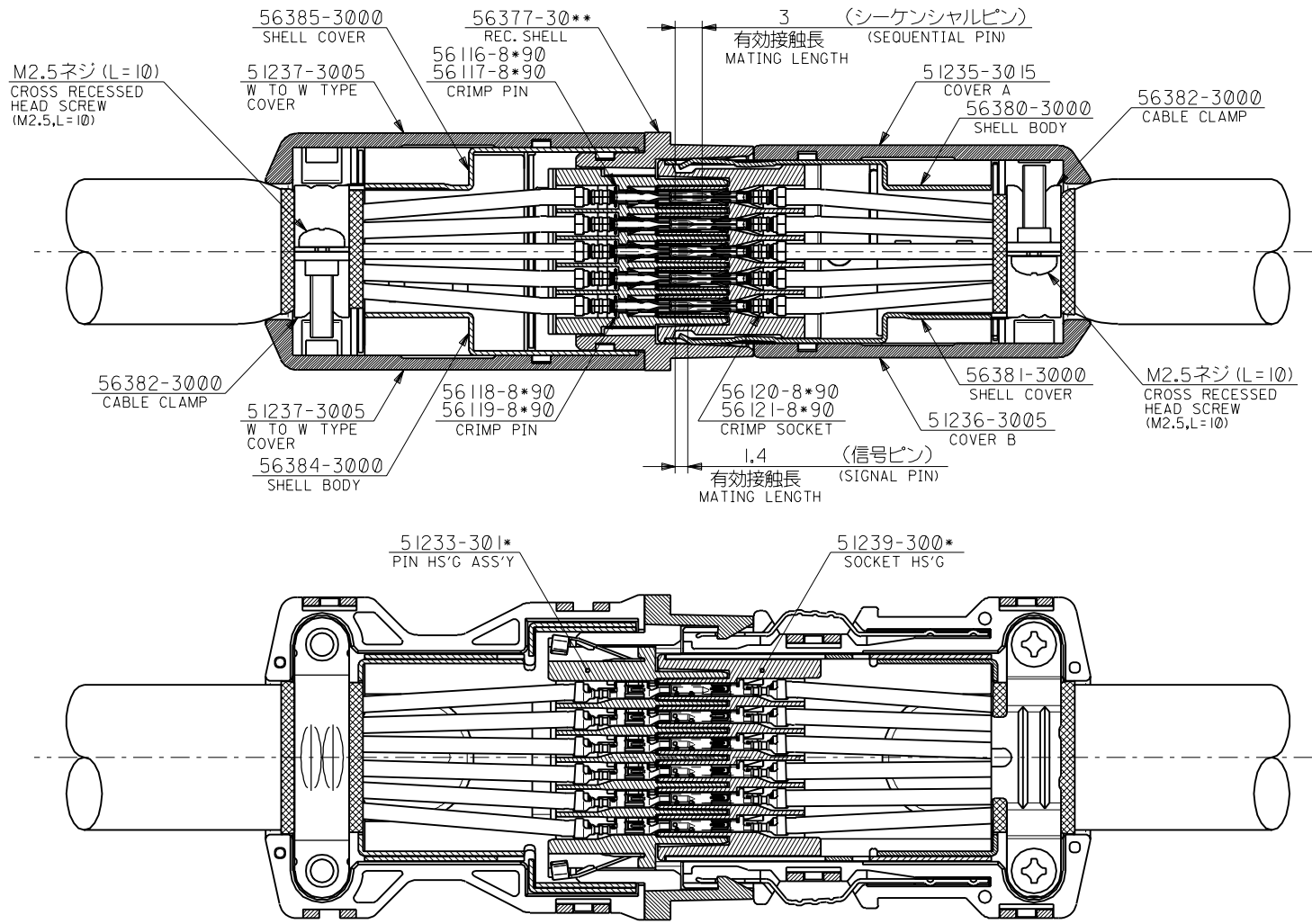


嵌合図 (中継タイプ)  
CROSS-SECTION VIEW OF MATED CONNECTOR  
(WIRE TO WIRE TYPE)

DO NOT SCALE DRAWING

EC NO. DRWN: CHK: APPR:	EC NO. DRWN: CHK: APPR:	EC NO. DRWN: CHK: APPR:	REVISED 01/10/04	MATERIAL 材料	GENERAL TOLERANCES: (UNLESS SPECIFIED) 一般公差	SCALE	DESIGN UNITS	THIRD ANGLE PROJECTION	DIMENSIONS: <input type="checkbox"/> mm <input type="checkbox"/> INCH	SHT	REV
			EC NO. J2002-0786 DRWN: S.AKIYAMA CHK: J.MIYAZAWA APPR: YO.ITO			2-1	<input checked="" type="checkbox"/> mm <input type="checkbox"/> INCH				
A	0		RELEASED 01/02/16 EC NO. JD2001-1040 DRWN: S.AKIYAMA CHK: J.MIYAZAWA APPR: H.IKESUGI	注記参照 SEE NOTES	10 UNDER 未満	±0.2	DRAWN BY & DATE <i>S. Akiyama</i> / 01/25	TITLE: COMPACT ROBOT CONN. (CRC) REC. PIN HS'G ASS'Y	MATERIAL NO. SEE CHART	DRAWING NO. SD-51233-009	SHEET NO. 3 OF 4
			FINISH 仕上げ	—	10 OVER 30 UNDER 以上 未満	±0.25	CHECKED BY & DATE <i>J. Miyazawa / Y. Ito</i>				
			WIRE RANGE 適用電線範囲	—	30 OVER 以上	±0.3	APPROVED BY & DATE <i>Yo. Ito</i>				
			INS. RANGE 被覆外径	—	ANGLE 角度	±3°	CAD FILENAME 51233009.S03				
THIS DRAWING CONTAINS INFORMATION THAT IS PROPRIETARY TO MOLEX INCORPORATED AND SHOULD NOT BE USED WITHOUT WRITTEN PERMISSION.											

DWG. NO. SD-51233-009



嵌合図 (中継タイプ)  
CROSS-SECTION VIEW OF MATED CONNECTOR  
(WIRE TO WIRE TYPE)

DO NOT SCALE DRAWING

EC NO. DRWN: CHK: APPR:	EC NO. DRWN: CHK: APPR:	EC NO. DRWN: CHK: APPR:	REVISED 01/10/04 EC NO. J2002-0786 DRWN: S.AKIYAMA CHK: J.MIYAZAWA APPR: Y.O.IITO	EC NO. JD2001-1040 DRWN: S.AKIYAMA CHK: J.MIYAZAWA APPR: H.IKESUGI	MATERIAL 材料	注記参照 SEE NOTES	GENERAL TOLERANCES: (UNLESS SPECIFIED) 一般公差	SCALE	DESIGN UNITS	THIRD ANGLE PROJECTION	DIMENSIONS:		SHT	REV
								2-1	<input checked="" type="checkbox"/> mm <input type="checkbox"/> INCH		<input type="checkbox"/> mm <input type="checkbox"/> INCH	<input checked="" type="checkbox"/> mm ONLY		REVISE ON CAD ONLY
					DESCRIPTION		10 UNDER 未満	±0.2	DRAWN BY & DATE <i>S. Akiyama</i> / 01/25	TITLE: COMPACT ROBOT CONN. (CRC) REC. PIN HS'G ASS'Y				
					FINISH 仕上げ		10 OVER 30 UNDER 以上 未満	±0.25	CHECKED BY & DATE <i>J. Miyazawa</i> / 01/25	MATERIAL NO. SEE CHART DRAWING NO. SD-51233-009 SHEET NO. 4 OF 4				
					WIRE RANGE 適用電線範囲		30 OVER 以上	±0.3	APPROVED BY & DATE <i>Y. O. Ito</i>					
					INS. RANGE 被覆外径		ANGLE 角度	±3°	CAD FILE NAME 51233009.S04	THIS DRAWING CONTAINS INFORMATION THAT IS PROPRIETARY TO MOLEX INCORPORATED AND SHOULD NOT BE USED WITHOUT WRITTEN PERMISSION.				

51233009.S04