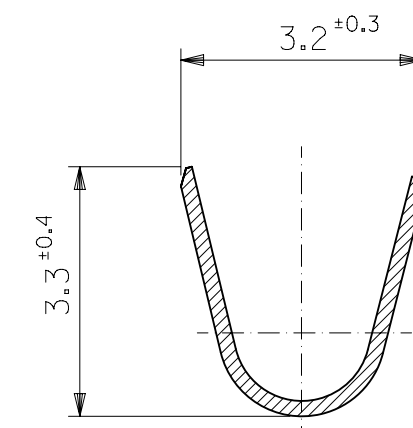
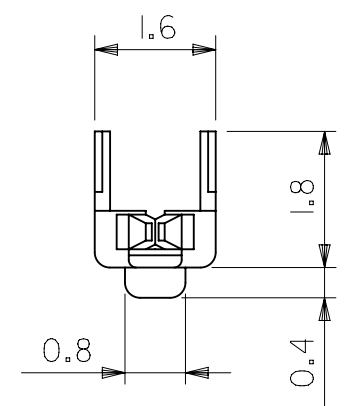
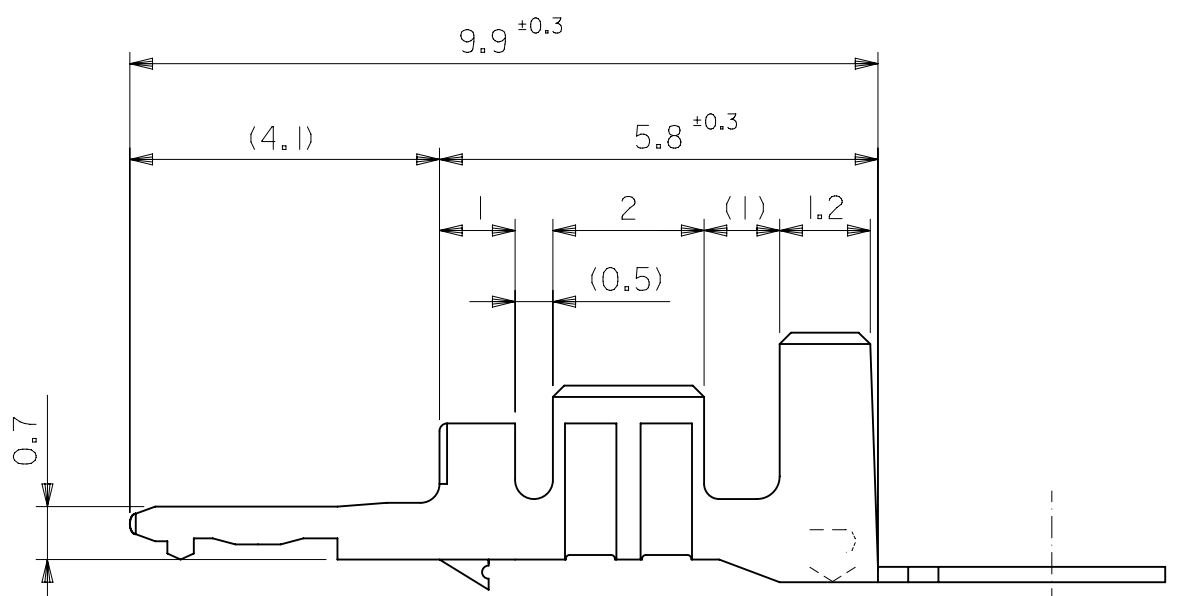


断面 A-A
SECT. A-A



断面 B-B
SECT. B-B



注記
NOTE

1. 適合ハウジング: 51036-**-00
APPLICABLE HOUSING: 51036-**-00

材料 MATERIAL	リン青銅 (錫メッキ) PHOSPHOR BRONZE t=0.203 PRE-TINNED PLATE
仕上げ FINISH	—//—
適用電線範囲 WIRE RANGE	AWG #22 ~ 18 AV 0.5 ~ 0.85 AVS 0.3 ~ 0.85
被覆外径 INS. RANGE	∅ 1.8 ~ 2.6

50098-8000	連鎖状
ENG.NO.	形状

THIS DRAWING CONTAINS INFORMATION THAT IS PROPRIETARY TO MOLEX ELECTRONIC TECHNOLOGIES, LLC AND SHOULD NOT BE USED WITHOUT WRITTEN PERMISSION

DIMENSION UNITS	SCALE	CURRENT REV DESC: OBSOLETE PART NUMBERS
mm	10:1	
GENERAL TOLERANCES (UNLESS SPECIFIED)		
	MM	INCH
角度 ANGLE	±3°	
30 以上 OVER	±0.3	
10 以上 30 未満 OVER UNDER	±0.25	
10 未満 UNDER	±0.2	
一般公差 GENERAL TOLERANCES		
DRAFT WHERE APPLICABLE MUST REMAIN WITHIN DIMENSIONS	THIRD ANGLE PROJECTION	DRAWING SERIES MATERIAL NUMBER CUSTOMER SHEET NUMBER
		A3-SIZE 50098 SEE TABLE GENERAL MARKET 1 OF 1

molex			
BOARD IN CONNECTOR CRIMP PIN			
PRODUCT CUSTOMER DRAWING			
DOCUMENT NUMBER	DOC TYPE	DOC PART	REVISION
SD-50098-8X00	PSD	001	D

EC NO: 652023	2020/12/04
DRWN: SKANDB	2020/12/30
CHK'D: GGA	2020/12/30
APPR: GGA	
INITIAL REVISION:	
DRWN: K.KITA	1996/06/28
APPR: M.ENOMOTO	1996/06/28