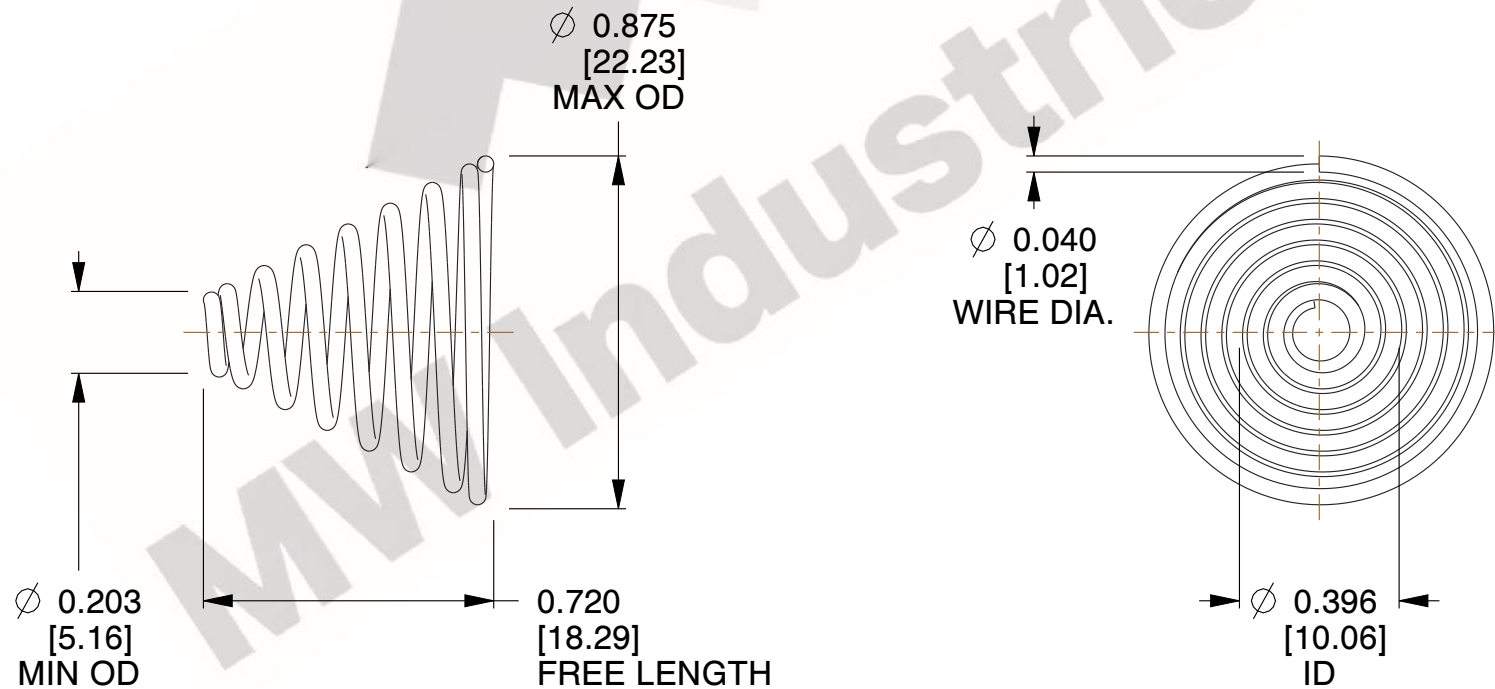
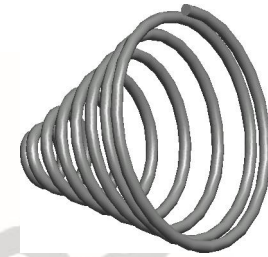


NOTES:

- 1. Material : Hard Drawn
- 2. Total Coils : 7.750
- 3. Solid Height : 0.450 (in)
- 4. Finish : ZINC
- 5. Ends : Closed
- 6. All Drawing Dimensions are in Inches [mm]



COMPONENT	TAPERED SPRINGS	
TA-2204CS	UNIT	
	INCH [mm]	
	SHEET	
TAPERED SPRINGS	1 of 1	